

AEGA047NN0000051A000 ✓ ACTIVE

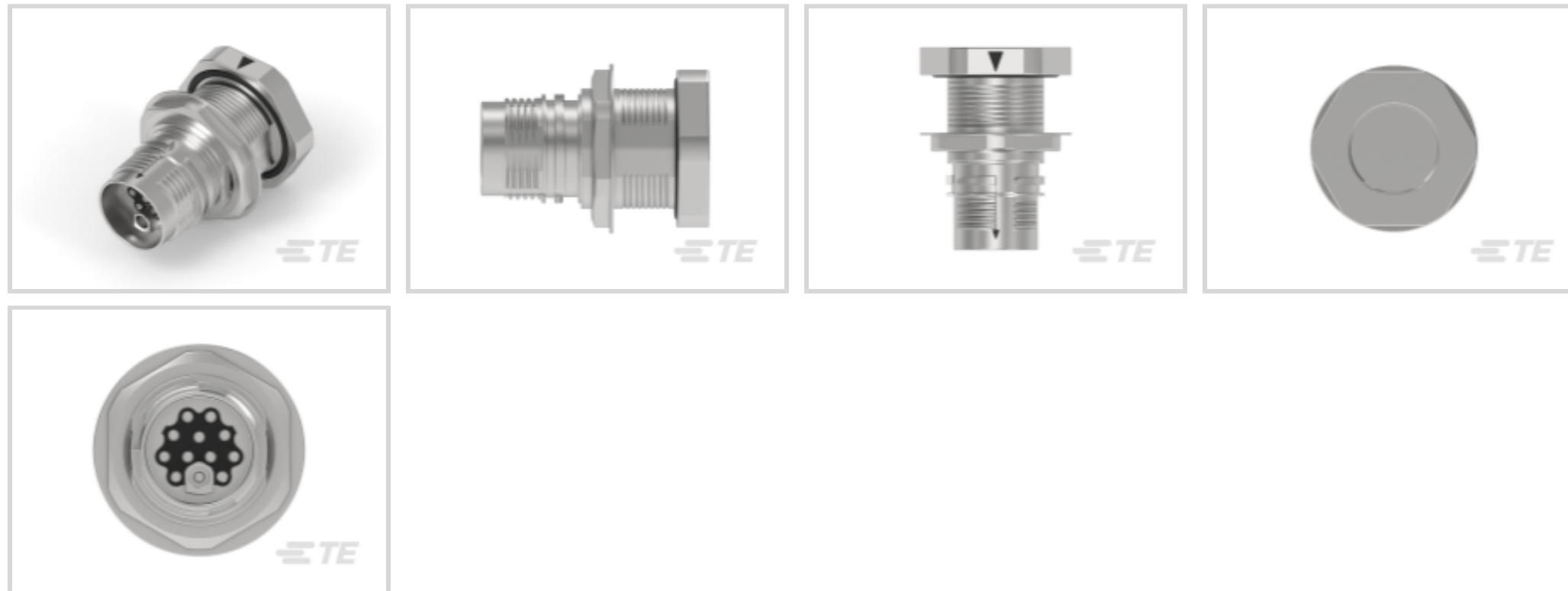
TE Internal #: AEA047N0000051A000

Standard Circular Connectors, Cable-to-Panel, Signal, Panel Mount,
Electrodeposited Nickel, Zinc Alloy, PBT GF, Size 23, Shielded,
Receptacle

[View on TE.com >](#)



Connectors > Circular Connectors > Standard Circular Connectors



Connector System: **Cable-to-Panel**

Sealable: **No**

Circuit Application: **Signal**

Connector Mounting Type: **Panel Mount**

Shell Plating Material: **Electrodeposited Nickel**

Features

Product Type Features

Product Type	Connector Assembly
Connector System	Cable-to-Panel
Sealable	No
Circular Connector Type	Receptacle
Shell Type	Metal

Electrical Characteristics

Operating Voltage	32 VAC
-------------------	--------

Body Features

Environmental Protection	IP67
Shell Plating Material	Electrodeposited Nickel
Shell Base Material	Zinc Alloy
Circular Connector Insulation Material Type	PBT GF

Mechanical Attachment

Mating Retention Type	Speedtec (Triple Start Threaded)
-----------------------	----------------------------------



Panel Mount Feature Type	Flange with Mounting Holes
--------------------------	----------------------------

Connector Mounting Type	Panel Mount
-------------------------	-------------

Housing Features

Circular Connector Shell Size	23
-------------------------------	----

Alignment Keyed	Uncoded
-----------------	---------

Usage Conditions

Operating Temperature Range	-20 – 130 °C[-4 – 266 °F]
-----------------------------	---------------------------

Operation/Application

Durability Rating	500 Cycles
-------------------	------------

Circuit Application	Signal
---------------------	--------

Shielded	Yes
----------	-----

Industry Standards

UL Flammability Rating	UL 94V-0
------------------------	----------

Approved Standards	UL
--------------------	----

Product Compliance

[For compliance documentation, visit the product page on TE.com>](#)

EU RoHS Directive 2011/65/EU	Compliant with Exemptions
------------------------------	---------------------------

EU ELV Directive 2000/53/EC	Compliant with Exemptions
-----------------------------	---------------------------

China RoHS 2 Directive MIIT Order No 32, 2016	Restricted Materials Above Threshold
---	--------------------------------------

EU REACH Regulation (EC) No. 1907/2006	Current ECHA Candidate List: JUNE 2023 (235) Candidate List Declared Against: JUNE 2022 (224) SVHC > Threshold: Pb (3.5% in Component)
--	---

Article Safe Usage Statements:

Do not eat, drink or smoke when using this product. Wash thoroughly after handling. Recycle if possible and dispose of the article by following all applicable governmental regulations relevant to your geographic location.

Halogen Content	Not Yet Reviewed for halogen content
-----------------	--------------------------------------

Solder Process Capability	Not reviewed for solder process capability
---------------------------	--

Product Compliance Disclaimer

This information is provided based on reasonable inquiry of our suppliers and represents our current actual knowledge based on the information they provided. This information is subject to change. The part numbers that TE has identified as EU RoHS compliant have a maximum concentration of 0.1% by weight in homogenous materials for lead, hexavalent chromium, mercury, PBB, PBDE, DBP, BBP, DEHP, DIBP, and 0.01% for cadmium, or qualify for an exemption to these limits as defined in the Annexes of Directive 2011/65/EU (RoHS2). Finished electrical and electronic equipment products will be CE marked as required by Directive 2011/65/EU. Components may not be CE marked. Additionally, the part numbers that TE has identified as EU ELV compliant have a maximum concentration of 0.1% by weight in homogenous

materials for lead, hexavalent chromium, and mercury, and 0.01% for cadmium, or qualify for an exemption to these limits as defined in the Annexes of Directive 2000/53/EC (ELV). Regarding the REACH Regulation, the information TE provides on SVHC in articles for this part number is based on the latest European Chemicals Agency (ECHA) 'Guidance on requirements for substances in articles' posted at this URL: <https://echa.europa.eu/guidance-documents/guidance-on-reach>

Compatible Parts



TE Part # ASA046N0085050A000
617 PLUG, SPEEDTEC

TE Part # C0-0101-000-000
CRIMPING TOOL SMALL WITH POSITIONER

TE Part # C0-0235-000-000
DIGITAL CRIMPING TOOL, SMALL

Customers Also Bought



TE Part #60-0003-011-000
CONTACT SOCKET 2 MM



TE Part #60-0023-011-000
CONTACT SOCKET 2 MM



TE Part #60-0199-080-000
BANDOLEER CONTACT SOCKET 1MM,7000PCS ROL



TE Part #60-0200-080-000
BANDOLEER CONTACT SOCKET 1 MM



TE Part #60-0334-0B2-000
CONTACT SOCKET 1 MM



TE Part #ASA021N00390100000
623 PLUG, SPEEDTEC



TE Part #BKA186N00420200038
923EXTENSION,DELIVERY AS INDIVIDUAL PART



TE Part #BSA085N00420235047
923 PLUG, DELIVERY AS INDIVIDUAL PARTS



TE Part #CSA263N00440001000
940 PLUG



TE Part #E0-0183-000-000
923 PLASTIC FLANGE, HINGED

Documents

[CAD Files](#)

[3D PDF](#)



3D

Customer View Model

[ENG_CVM_CVM_AEA047N0000051A000_A.2d_dxf.zip](#)

English

Customer View Model

[ENG_CVM_CVM_AEA047N0000051A000_A.3d_igs.zip](#)

English

Customer View Model

[ENG_CVM_CVM_AEA047N0000051A000_A.3d_stp.zip](#)

English

By downloading the CAD file I accept and agree to the [Terms and Conditions](#) of use.

Datasheets & Catalog Pages

[fuer Datenblaetter, die online konfigurierbar sind](#)

German

[AEA047N0000051A000](#)

English

[617 Einbaudose, speedtec HiWa, 12-polig AEGA047NN0000051A000 DE-EN Kuka](#)

German

Product Specifications

German