

Product Compliance

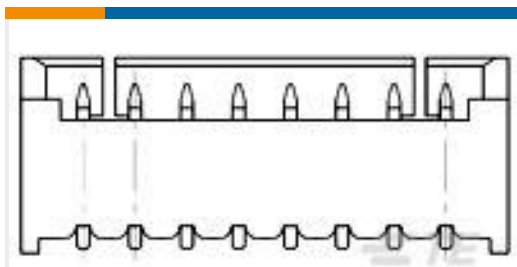
[For compliance documentation, visit the product page on TE.com>](#)

EU RoHS Directive 2011/65/EU	Compliant
EU ELV Directive 2000/53/EC	Compliant
China RoHS 2 Directive MIIT Order No 32, 2016	No Restricted Materials Above Threshold
EU REACH Regulation (EC) No. 1907/2006	Current ECHA Candidate List: JUNE 2023 (235) Candidate List Declared Against: JAN 2022 (223) Does not contain REACH SVHC
Halogen Content	Not Yet Reviewed for halogen content
Solder Process Capability	Not reviewed for solder process capability

Product Compliance Disclaimer

This information is provided based on reasonable inquiry of our suppliers and represents our current actual knowledge based on the information they provided. This information is subject to change. The part numbers that TE has identified as EU RoHS compliant have a maximum concentration of 0.1% by weight in homogenous materials for lead, hexavalent chromium, mercury, PBB, PBDE, DBP, BBP, DEHP, DIBP, and 0.01% for cadmium, or qualify for an exemption to these limits as defined in the Annexes of Directive 2011/65/EU (RoHS2). Finished electrical and electronic equipment products will be CE marked as required by Directive 2011/65/EU. Components may not be CE marked. Additionally, the part numbers that TE has identified as EU ELV compliant have a maximum concentration of 0.1% by weight in homogenous materials for lead, hexavalent chromium, and mercury, and 0.01% for cadmium, or qualify for an exemption to these limits as defined in the Annexes of Directive 2000/53/EC (ELV). Regarding the REACH Regulation, the information TE provides on SVHC in articles for this part number is based on the latest European Chemicals Agency (ECHA) 'Guidance on requirements for substances in articles' posted at this URL: <https://echa.europa.eu/guidance-documents/guidance-on-reach>

Customers Also Bought



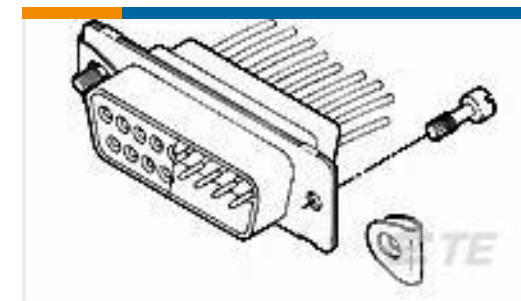
TE Part #1734829-5
1.25 WTB HDR DIP, 5 POS



TE Part #2560-201-2031L
CONT PIN



TE Part #8-1879028-8
RN 0805 432K 0.1% 10PPM 1K RL



TE Part #5205980-5
SCREW RETAINER KIT, BULK PACK



TE Part #2-2176337-5
CRGCQ 0402 1K0 1%



TE Part #6-2176337-1
CRGCQ 0402 1M0 1%



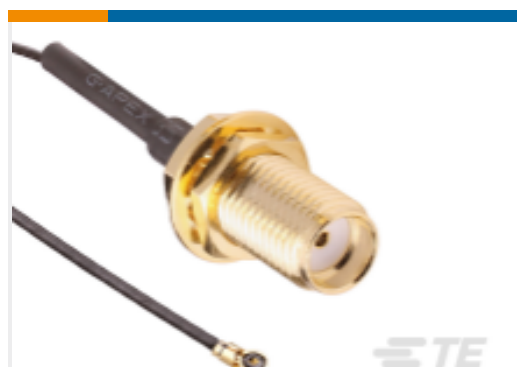
TE Part #2129320-3
Mini Displayport Reverse Offset



TE Part #60-0011-011-000
CONTACT SOCKET 1 MM



TE Part #BDA107N00000050000
923 BULKHEAD CONNECTOR



TE Part #CSJ-SGFB-200-MHF4
SMA to MHF4 200mm 0.81 OD

Documents

CAD Files

3D PDF

3D

Customer View Model

[ENG_CVM_CVM_ADA021N00000101000_1.2d_dxf.zip](#)

English

Customer View Model

[ENG_CVM_CVM_ADA021N00000101000_1.3d_igs.zip](#)

English

Customer View Model

[ENG_CVM_CVM_ADA021N00000101000_1.3d_stp.zip](#)

English

By downloading the CAD file I accept and agree to the [Terms and Conditions](#) of use.

Datasheets & Catalog Pages

fuer Datenblaetter, die online konfigurierbar sind

German