

969191-3 ✓ ACTIVE

AMP | Timer Connector System

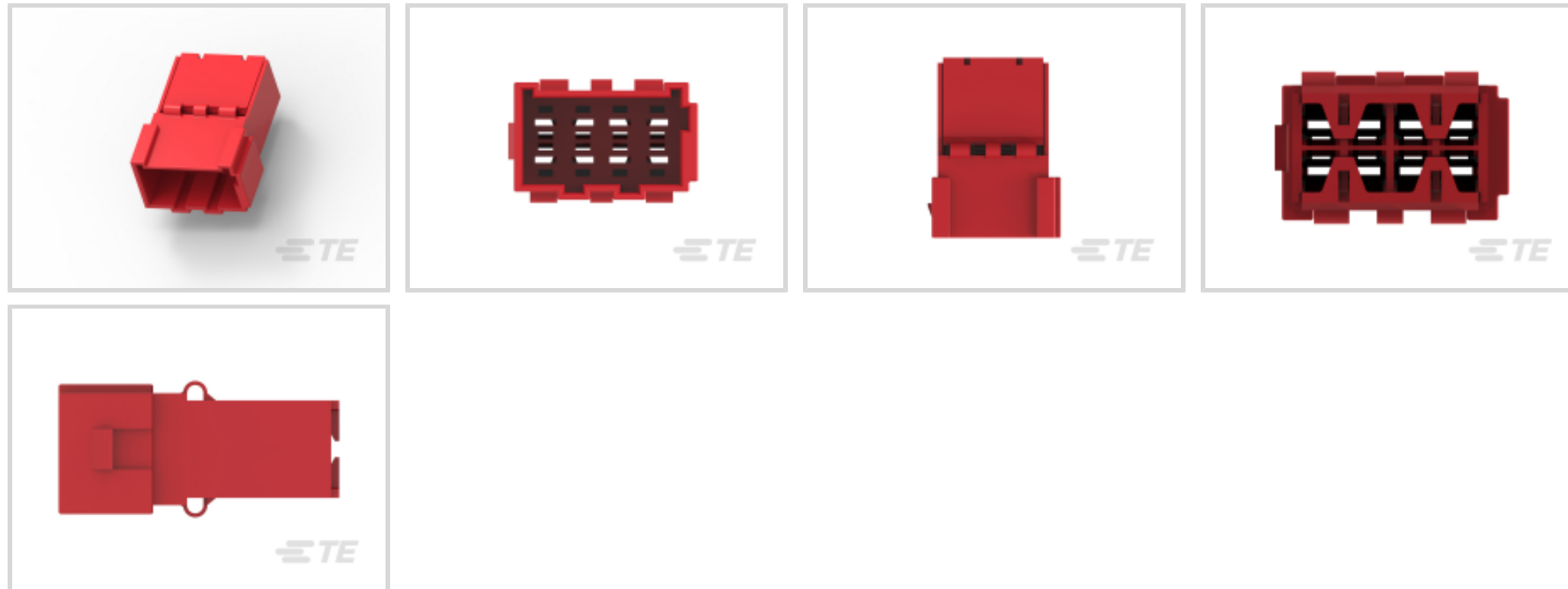
TE Internal #: 969191-3

Housing for Male Terminals, Wire-to-Wire, 8 Position, .2 in [5.08 mm] Centerline, Red, Wire & Cable, Power, Timer Connector System

[View on TE.com >](#)



Connectors > Automotive Connectors > Automotive Housings > Timer Connector Housing



Connector System: **Wire-to-Wire**

Number of Positions: **8**

Connector & Housing Type: **Housing for Male Terminals**

Centerline (Pitch): **5.08 mm [.2 in]**

Sealable: **No**

[All Timer Connector Housing \(585\)](#)

Features

Product Type Features

Mixed & Hybrid Connector	No
Connector Shape	Rectangular
Connector System	Wire-to-Wire
Connector & Housing Type	Housing for Male Terminals
Sealable	No
Connector & Contact Terminates To	Wire & Cable
Primary Locking Feature	Integrated in Housing

Configuration Features

Number of Positions	8
Number of Rows	2

Electrical Characteristics

Nominal Voltage Architecture	12 V
------------------------------	------



Body Features

Cable Exit Angle	180°
Primary Product Color	Red
Connector & Keying Code	C

Contact Features

Contact Size	2.8mm
Contact Type	Tab
Mating Tab Width	2.8 mm[.11 in]
Contact Current Rating (Max)	30 A

Mechanical Attachment

Terminal Position Assurance	No
Strain Relief	Without
Mating Alignment Type	Keyed
Mating Alignment	With
Connector Mounting Type	Cable Mount (Free-Hanging)

Housing Features

Housing Material	PA
Centerline (Pitch)	5.08 mm[.2 in]

Dimensions

Connector Height	16 mm[.629 in]
Product Width	33.7 mm[1.32 in]
Product Length	25.1 mm[.988 in]
Row-to-Row Spacing	5.08 mm[.2 in]

Usage Conditions

Operating Temperature (Max)	130 °C[266 °F]
Operating Temperature Range	-40 – 130 °C[-40 – 266 °F]

Operation/Application

Circuit Application	Power
---------------------	-------

Packaging Features

Packaging Quantity	1000
Packaging Method	Box

Other



Serviceable	No
Connector Position Assurance Capable	No

Product Compliance

[For compliance documentation, visit the product page on TE.com>](#)

EU RoHS Directive 2011/65/EU	Compliant
EU ELV Directive 2000/53/EC	Compliant
China RoHS 2 Directive MIIT Order No 32, 2016	No Restricted Materials Above Threshold
EU REACH Regulation (EC) No. 1907/2006	Current ECHA Candidate List: JUNE 2023 (235) Candidate List Declared Against: JUNE 2023 (235) Does not contain REACH SVHC
Halogen Content	BFR/CFR/PVC Free, but Br/Cl >900 ppm in other sources.
Solder Process Capability	Not applicable for solder process capability

Product Compliance Disclaimer

This information is provided based on reasonable inquiry of our suppliers and represents our current actual knowledge based on the information they provided. This information is subject to change. The part numbers that TE has identified as EU RoHS compliant have a maximum concentration of 0.1% by weight in homogenous materials for lead, hexavalent chromium, mercury, PBB, PBDE, DBP, BBP, DEHP, DIBP, and 0.01% for cadmium, or qualify for an exemption to these limits as defined in the Annexes of Directive 2011/65/EU (RoHS2). Finished electrical and electronic equipment products will be CE marked as required by Directive 2011/65/EU. Components may not be CE marked. Additionally, the part numbers that TE has identified as EU ELV compliant have a maximum concentration of 0.1% by weight in homogenous materials for lead, hexavalent chromium, and mercury, and 0.01% for cadmium, or qualify for an exemption to these limits as defined in the Annexes of Directive 2000/53/EC (ELV). Regarding the REACH Regulation, the information TE provides on SVHC in articles for this part number is based on the latest European Chemicals Agency (ECHA) 'Guidance on requirements for substances in articles' posted at this URL: <https://echa.europa.eu/guidance-documents/guidance-on-reach>

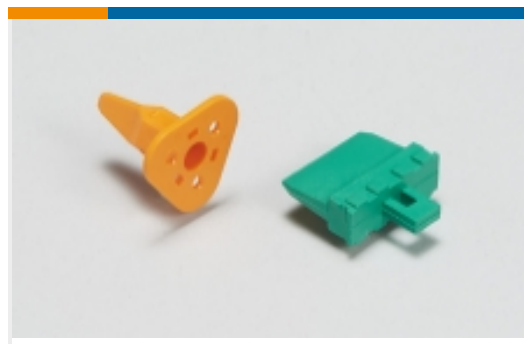
Compatible Parts



Also in the Series | [Timer Connector System](#)



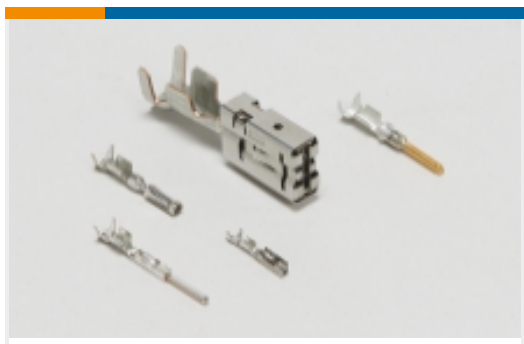
Automotive Connector Caps & Covers (12)



Automotive Connector Locks & Position Assurance (17)



Automotive Housings (233)



Automotive Terminals (145)



Connector Seals & Cavity Plugs (32)



Crimp Terminal Housings (13)



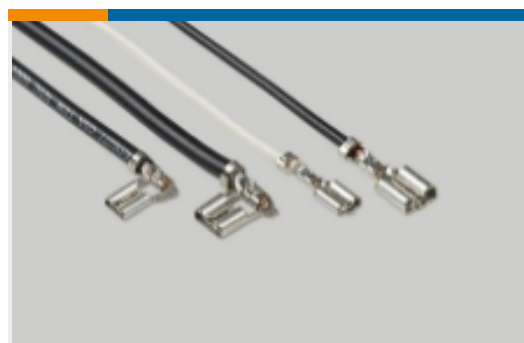
Insertion & Extraction Tools (18)



Other Automotive Connector Accessories (1)



PCB Headers & Receptacles (82)

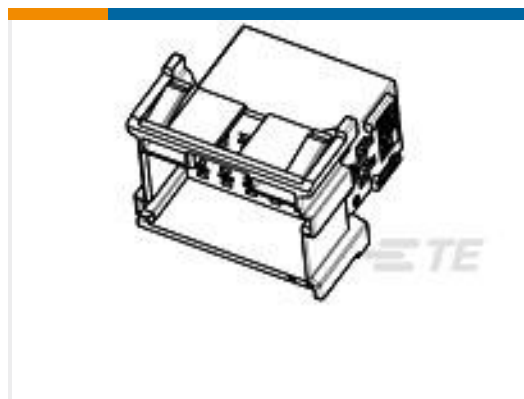


Quick Disconnects (4)

Customers Also Bought



TE Part #969191-2
Timer Connector Housing



TE Part #1-967627-1
FLA-STE-GEH2,8 12P



TE Part #925590-2
TIMER, RECEPTACLE AND TAB



TE Part #927777-3
JUNIOR POWER TIMER CONTACT

Documents

Product Drawings

8 POS TAB HSG 2.8 X 0.8

English

CAD Files

Customer View Model

[ENG_CVM_CVM_969191-3_B.2d_dxf.zip](#)

English



3D PDF

3D

Customer View Model

[ENG_CVM_CVM_969191-3_B.3d_igs.zip](#)

English

Customer View Model

[ENG_CVM_CVM_969191-3_B.3d_stp.zip](#)

English

By downloading the CAD file I accept and agree to the [Terms and Conditions](#) of use.

Datasheets & Catalog Pages

Timer Interconnection System

English

Product Specifications

Application Specification

English