

968271-1 ✓ ACTIVE

AMP | Timer Connector System

TE Internal #: 968271-1

Automotive Connector Locks & Position Assurance, TPA (Terminal Position Assurance), Blue, PBT GF, -40 – 140 °C [-40 – 284 °F], Timer Connector System

[View on TE.com >](#)



Connectors > Automotive Connectors > Automotive Connector Accessories > Automotive Connector Locks & Position Assurance



Connector & Contact Retention Accessory Type: **TPA (Terminal Position Assurance)**

Primary Product Color: **Blue**

Primary Product Material: **PBT GF**

Operating Temperature Range: **-40 – 140 °C [-40 – 284 °F]**

Features

Product Type Features

Connector & Contact Retention Accessory Type	TPA (Terminal Position Assurance)
--	-----------------------------------

Body Features

Primary Product Color	Blue
-----------------------	------

Primary Product Material	PBT GF
--------------------------	--------

Usage Conditions

Operating Temperature Range	-40 – 140 °C[-40 – 284 °F]
-----------------------------	----------------------------

Industry Standards

UL Flammability Rating	UL 94HB
------------------------	---------

Packaging Features

Packaging Method	Carton
------------------	--------

Other

Serviceable	Yes
-------------	-----

Product Compliance

[For compliance documentation, visit the product page on TE.com>](#)

EU RoHS Directive 2011/65/EU	Compliant
EU ELV Directive 2000/53/EC	Compliant
China RoHS 2 Directive MIIT Order No 32, 2016	No Restricted Materials Above Threshold
EU REACH Regulation (EC) No. 1907/2006	Current ECHA Candidate List: JUNE 2023 (235) Candidate List Declared Against: JUNE 2023 (235) Does not contain REACH SVHC
Halogen Content	BFR/CFR/PVC Free, but Br/Cl >900 ppm in other sources.
Solder Process Capability	Not applicable for solder process capability

Product Compliance Disclaimer

This information is provided based on reasonable inquiry of our suppliers and represents our current actual knowledge based on the information they provided. This information is subject to change. The part numbers that TE has identified as EU RoHS compliant have a maximum concentration of 0.1% by weight in homogenous materials for lead, hexavalent chromium, mercury, PBB, PBDE, DBP, BBP, DEHP, DIBP, and 0.01% for cadmium, or qualify for an exemption to these limits as defined in the Annexes of Directive 2011/65/EU (RoHS2). Finished electrical and electronic equipment products will be CE marked as required by Directive 2011/65/EU. Components may not be CE marked. Additionally, the part numbers that TE has identified as EU ELV compliant have a maximum concentration of 0.1% by weight in homogenous materials for lead, hexavalent chromium, and mercury, and 0.01% for cadmium, or qualify for an exemption to these limits as defined in the Annexes of Directive 2000/53/EC (ELV). Regarding the REACH Regulation, the information TE provides on SVHC in articles for this part number is based on the latest European Chemicals Agency (ECHA) 'Guidance on requirements for substances in articles' posted at this URL: <https://echa.europa.eu/guidance-documents/guidance-on-reach>

Compatible Parts

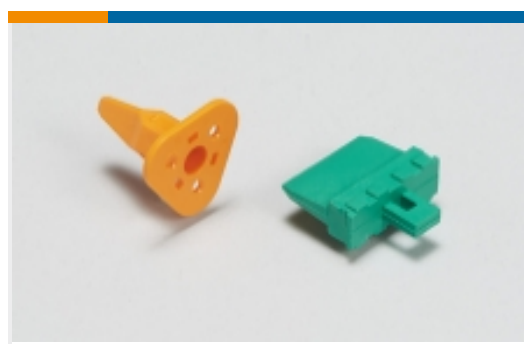


TE Part # CAT-T4827-CH8172
Timer Connector Housing

Also in the Series | [Timer Connector System](#)



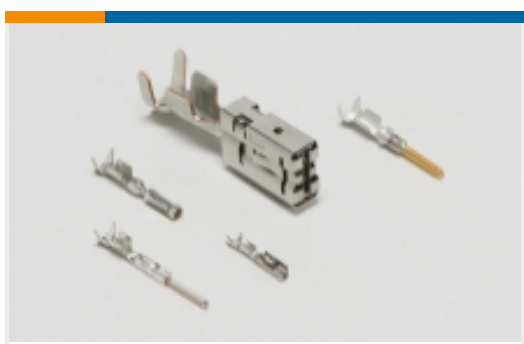
Automotive Connector Caps & Covers (12)



Automotive Connector Locks & Position Assurance (17)



Automotive Housings (233)



Automotive Terminals (145)



Connector Seals & Cavity Plugs (32)



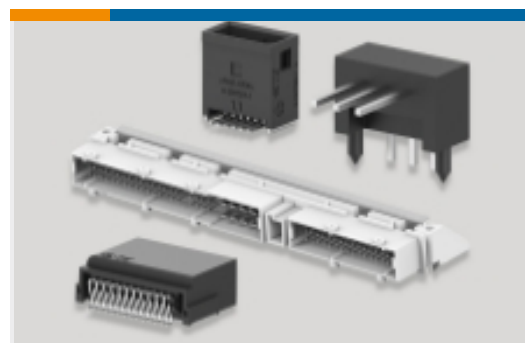
Crimp Terminal Housings (13)



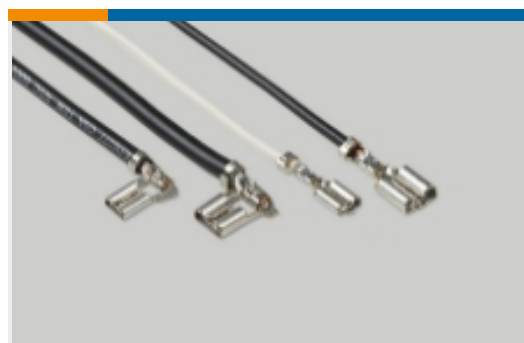
Insertion & Extraction Tools (18)



Other Automotive Connector Accessories (1)



PCB Headers & Receptacles (82)

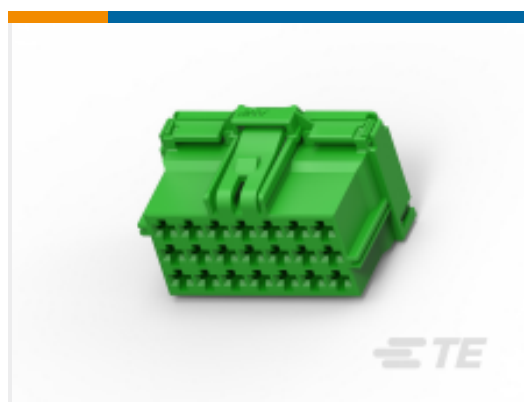


Quick Disconnects (4)

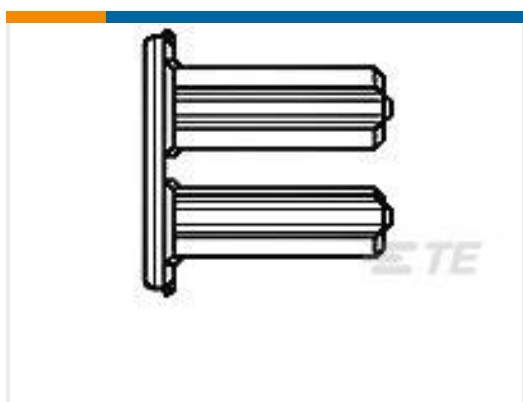
Customers Also Bought



TE Part #1-967622-1
Timer Connector Housing



TE Part #8-968970-1
AMP MCP Unsealed Connector Housings



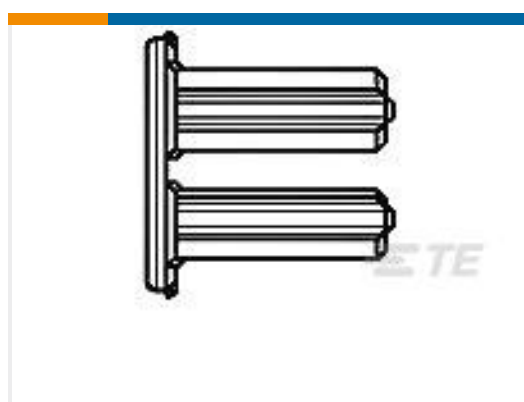
TE Part #967634-1
2. RETAINER FOR 18POS



TE Part #1-962842-1
TAB 2.8x0.8 CONTACT CS SRC Sn



TE Part #K1002974
Toggle Switch 07-1-2-12



TE Part #967633-1
2. KONT-SICHERUNG 15P



TE Part #K1144296
Relay-Set 29-311-12-954

Documents



Product Drawings

2. KONT-SICHERUNG 6P

English

2. KONT-SICHERUNG 6P

English

CAD Files

Customer View Model

[ENG_CVM_CVM_968271-1_D.2d_dxf.zip](#)

English

3D PDF

3D

Customer View Model

[ENG_CVM_CVM_968271-1_D.3d_igs.zip](#)

English

Customer View Model

[ENG_CVM_CVM_968271-1_D.3d_stp.zip](#)

English

By downloading the CAD file I accept and agree to the [Terms and Conditions](#) of use.

Product Specifications

Application Specification

English