

968052-1 ✓ ACTIVE

AMP | Micro Timer III

TE Internal #: 968052-1

Automotive Terminals, Receptacle, Mating Tab Width 1.6 mm [.063 in], Tab Thickness .6 mm [.024 in], 20 – 17 AWG Wire Size, Micro Timer III

[View on TE.com >](#)



Terminals & Splices > Automotive Terminals > TIMER, RECEPTACLE AND TAB



Terminal Type: **Receptacle**

Mating Tab Width: **1.6 mm [.063 in]**

Mating Tab Thickness: **.6 mm [.024 in]**

Terminal Transmits: **0 – 24 A (Low Power)**

Wire Size: **20 – 17 AWG**

[All TIMER, RECEPTACLE AND TAB \(348\)](#)

## Features

### Product Type Features

Sealable	No
Primary Locking Feature	Locking Lance

### Contact Features

Contact Size	1.6mm
Contact Fabrication	Stamped & Formed
Wire Contact Termination Area Plating Material	Tin
Typical Current Rating	10 A
Crimp Type	F-Crimp
Terminal Type	Receptacle
Mating Tab Width	1.6 mm[.063 in]
Mating Tab Thickness	.6 mm[.024 in]
Interface Plating	Tin (Sn)

### Termination Features

Termination Method to Wire & Cable	Crimp
Product Terminates To	Wire

### Dimensions



Compatible Insulation Diameter Range	1.4 – 2.1 mm [.055 – .083 in]
Wire Size	.5 – 1 mm <sup>2</sup>
Wire Size Search	17 AWG, 18 AWG, 19 AWG, 20 AWG
Tab Length	19 mm [.75 in]

### Usage Conditions

Insulation Option	Uninsulated
Operating Temperature (Max)	130 °C [266 °F]
Operating Temperature Range	-40 – 130 °C [-40 – 266 °F]

### Operation/Application

Compatible With Wire Base Material	Copper
------------------------------------	--------

### Industry Standards

Agency/Standard	IEC 664/664A (DIN VDE 0110)
-----------------	-----------------------------

### Packaging Features

Packaging Quantity	6000
Packaging Method	Reel

### Other

Terminal Transmits	0 – 24 A (Low Power)
--------------------	----------------------

## Product Compliance

[For compliance documentation, visit the product page on TE.com>](#)

EU RoHS Directive 2011/65/EU	Compliant
EU ELV Directive 2000/53/EC	Compliant
China RoHS 2 Directive MIIT Order No 32, 2016	No Restricted Materials Above Threshold
EU REACH Regulation (EC) No. 1907/2006	Current ECHA Candidate List: JUNE 2023 (235) Candidate List Declared Against: JUNE 2023 (235) Does not contain REACH SVHC
Halogen Content	Low Halogen - Br, Cl, F, I < 900 ppm per homogenous material. Also BFR/CFR/PVC Free
Solder Process Capability	Not applicable for solder process capability

Product Compliance Disclaimer

This information is provided based on reasonable inquiry of our suppliers and represents our current actual knowledge based on the information they provided. This information is subject to change. The part numbers that TE has identified as EU RoHS compliant have a maximum concentration of 0.1% by weight in homogenous materials for lead, hexavalent chromium, mercury, PBB, PBDE, DBP, BBP, DEHP, DIBP, and 0.01% for cadmium, or qualify for an exemption to these limits as defined in the Annexes of Directive 2011/65/EU (RoHS2). Finished electrical and electronic equipment products will be CE marked as required by Directive 2011/65/EU. Components may not be CE marked. Additionally, the part numbers that TE has identified as EU ELV compliant have a maximum concentration of 0.1% by weight in homogenous materials for lead, hexavalent chromium, and mercury, and 0.01% for cadmium, or qualify for an exemption to these limits as defined in the Annexes of Directive 2000/53/EC (ELV). Regarding the REACH Regulation, the information TE provides on SVHC in articles for this part number is based on the latest European Chemicals Agency (ECHA) 'Guidance on requirements for substances in articles' posted at this URL: <https://echa.europa.eu/guidance-documents/guidance-on-reach>

## Compatible Parts



TE Part # 539960-1  
AUSZ-WKZ,MICRO TIM.



TE Part # 2305570-1  
Strip Terminal Cutter-Side Feed-No Crimp



TE Part # CAT-T4827-CH8172  
Timer Connector Housing



TE Part # 2-1579018-7  
EXTRACTION TOOL




TE Part # 2151279-1  
OCEAN\_2.0\_APPLICATOR-S-080F100O



TE Part # 2151279-2  
OCEAN\_2.0\_APPLICATOR-S-080F100O



TE Part # 3-1579018-6  
EXTRACTION TOOL



TE Part # 5-2151279-1  
OCEAN\_2.0\_APPLICATOR-S-080F100O




TE Part # 5-2151279-2  
OCEAN\_2.0\_APPLICATOR-S-080F100O



TE Part # 7-2151279-1  
OCEAN\_2.0\_APPLICATOR-S-080F100O



TE Part # 7-2151279-2  
OCEAN\_2.0\_APPLICATOR-S-080F100O



TE Part # 7-2151279-7  
OCEAN\_2.0\_SPARE\_PART\_KIT-080F100O



TE Part # 2-2151279-1  
OCEAN\_2.0\_APPLICATOR-S-080F100O

## Also in the Series | Micro Timer III



Automotive Housings(7)



Automotive Terminals(9)

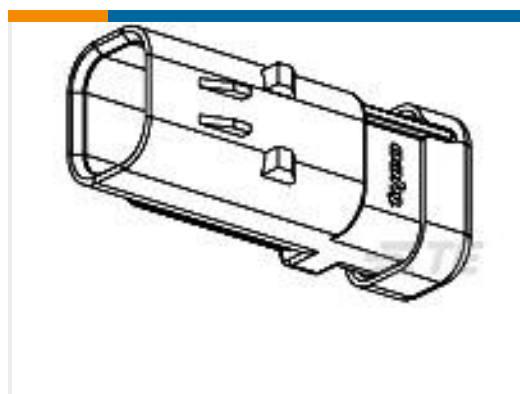


Insertion & Extraction Tools(3)

## Customers Also Bought



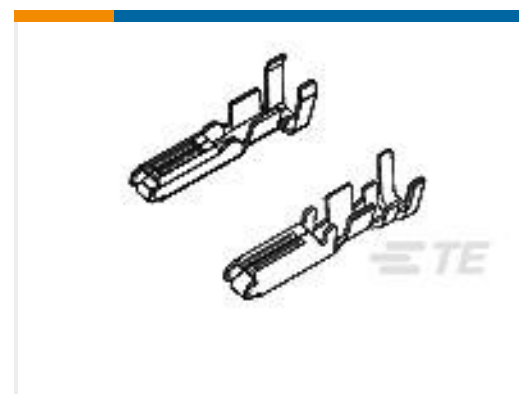
TE Part #1-1241370-3  
6POS MQS REC COD A



TE Part #776430-4  
AS 16, 3P CAP ASSY, KEY 4



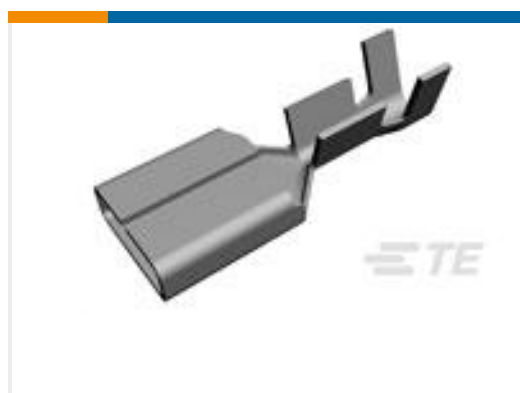
TE Part #2-967627-1  
AMP MCP Unsealed Connector Housings



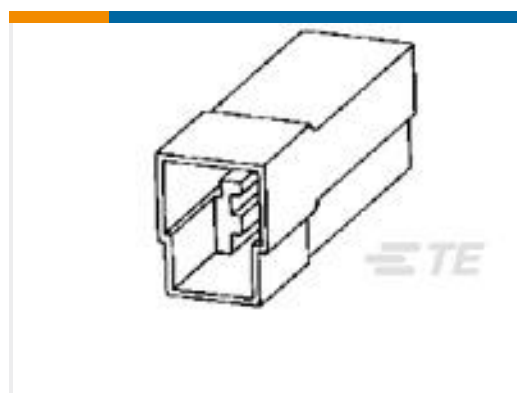
TE Part #345206-1  
070 SERIES RECEPT.



TE Part #2098762-4  
Contact,female0.64, 22 AWG, CuNiSi, Sn



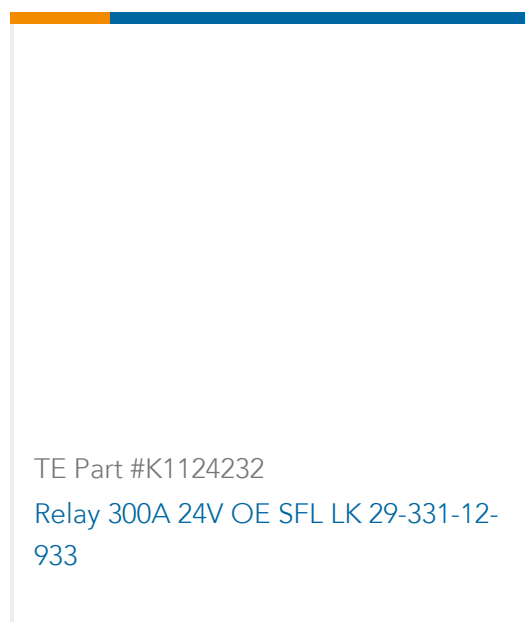
TE Part #1544141-1  
CLIP8MM ECHANCRE S



TE Part #180940-5  
FF 250 TAB HSG 3P NYLON BLACK



TE Part #2-2098922-5  
SDM,54P PLUG ASY,RHL,KEY B



TE Part #K1124232  
Relay 300A 24V OE SFL LK 29-331-12-933

## Documents

### Product Drawings

[MT3 REC 1.6 Contact SRC Sn](#)

English

### CAD Files

[Customer View Model](#)

[ENG\\_CVM\\_968052-1\\_A2.3d\\_igs.zip](#)



English

**Customer View Model**

[ENG\\_CVM\\_968052-1\\_A2.3d\\_stp.zip](#)

English

**Customer View Model**

[ENG\\_CVM\\_968052-1\\_A2.2d\\_dxf.zip](#)

English

**3D PDF**

English

**3D PDF**

3D

**Customer View Model**

[ENG\\_CVM\\_CVM\\_968052-1\\_B.2d\\_dxf.zip](#)

English

**Customer View Model**

[ENG\\_CVM\\_CVM\\_968052-1\\_B.3d\\_igs.zip](#)

English

**Customer View Model**

[ENG\\_CVM\\_CVM\\_968052-1\\_B.3d\\_stp.zip](#)

English

By downloading the CAD file I accept and agree to the [Terms and Conditions](#) of use.

---

## Datasheets & Catalog Pages

**Timer Interconnection System**

English

---

## Product Specifications

**Application Specification**

German

**Application Specification**

English

**Application Specification**

English

---

## Product Environmental Compliance

**TE Material Declaration**

English

---

## Instruction Sheets

**Instruction Sheet (U.S.)**

English