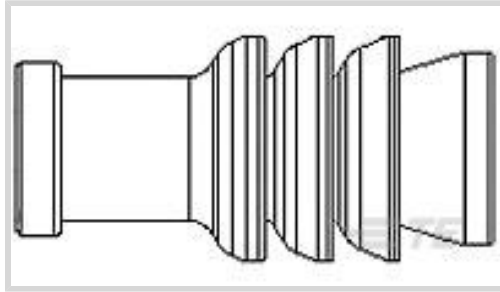




Connectors > Connector Accessories > Connector Seals & Cavity Plugs



Connector Seal & Plug Type: **Cavity Blanking Plug**

Primary Product Material: **Silicone**

Primary Product Color: **Blue**

Cavity Diameter: **3.6 mm [.142 in]**

Compatible Insulation Diameter Range: **4.1 mm [.161 in]**

## Features

### Product Type Features

Connector Seal & Plug Type	Cavity Blanking Plug
----------------------------	----------------------

### Body Features

Primary Product Material	Silicone
Primary Product Color	Blue

### Dimensions

Cavity Diameter	3.6 mm [.142 in]
Compatible Insulation Diameter Range	4.1 mm [.161 in]

### Usage Conditions

Operating Temperature (Max)	65 °C, 70 °C, 75 °C, 80 °C, 85 °C, 90 °C, 100 °C, 105 °C, 110 °C, 120 °C, 125 °C, 130 °C [149 °F][158 °F][167 °F][176 °F][185 °F][194 °F][212 °F][221 °F][230 °F][248 °F][257 °F][266 °F]
Operating Temperature Range	-40 – 130 °C[-40 – 266 °F]

### Industry Standards

UL Flammability Rating	None
------------------------	------

### Other

Resistance to Hydrocarbons	Poor
Shore A Hardness	50
Contains Lubricant	No



## Product Compliance

[For compliance documentation, visit the product page on TE.com>](#)

EU RoHS Directive 2011/65/EU	Compliant
EU ELV Directive 2000/53/EC	Compliant
China RoHS 2 Directive MIIT Order No 32, 2016	No Restricted Materials Above Threshold
EU REACH Regulation (EC) No. 1907/2006	Current ECHA Candidate List: JUNE 2023 (235) Candidate List Declared Against: JUNE 2023 (235) Does not contain REACH SVHC
Halogen Content	Low Halogen - Br, Cl, F, I < 900 ppm per homogenous material. Also BFR/CFR/PVC Free
Solder Process Capability	Not applicable for solder process capability

### Product Compliance Disclaimer

This information is provided based on reasonable inquiry of our suppliers and represents our current actual knowledge based on the information they provided. This information is subject to change. The part numbers that TE has identified as EU RoHS compliant have a maximum concentration of 0.1% by weight in homogenous materials for lead, hexavalent chromium, mercury, PBB, PBDE, DBP, BBP, DEHP, DIBP, and 0.01% for cadmium, or qualify for an exemption to these limits as defined in the Annexes of Directive 2011/65/EU (RoHS2). Finished electrical and electronic equipment products will be CE marked as required by Directive 2011/65/EU. Components may not be CE marked. Additionally, the part numbers that TE has identified as EU ELV compliant have a maximum concentration of 0.1% by weight in homogenous materials for lead, hexavalent chromium, and mercury, and 0.01% for cadmium, or qualify for an exemption to these limits as defined in the Annexes of Directive 2000/53/EC (ELV). Regarding the REACH Regulation, the information TE provides on SVHC in articles for this part number is based on the latest European Chemicals Agency (ECHA) 'Guidance on requirements for substances in articles' posted at this URL: <https://echa.europa.eu/guidance-documents/guidance-on-reach>

## Compatible Parts

 <p>TE Part # CAT-M8793-CH8172 MQS, CONNECTOR HOUSING</p>	 <p>TE Part # 2-1703494-1 3POS, MCON 1.2 LL TAB SEALED COD B</p>	 <p>TE Part # 1-1703494-1 3POS, MCON 1.2 LL TAB SEALED COD A</p>	 <p>TE Part # 1488991-6 3POS, MCON 1.2 CB REC 2p TL SEALED</p>
--	---	---	---




TE Part # 1-1703494-4  
3POS, MCON 1.2 LL TAB SEALED  
COD A



TE Part # 1-1670917-1  
3POS, MCON 1.2 LL REC SEALED



TE Part # 1-1670915-1  
2POS, MCON 1.2 LL REC SEALED



TE Part # 1488991-5  
3POS, MCON 1.2 CB REC 2p TL  
SEALED



TE Part # 1-1718643-1  
2POS, MCON 1.2 LL REC SEALED



TE Part # 1-1703498-4  
2POS, MCON 1.2 LL TAB SEALED  
COD A



TE Part # CAT-M4595-T273  
MCON Receptacle and Tab



TE Part # CAT-M8793-T273  
MQS, RECEPTACLE AND TAB



TE Part # 2109220-2  
.64/2.8 HYB 12P SLD PLUG ASM



TE Part # CAT-M4596-CH8172  
HPF 1.2, CONNECTOR HOUSING



TE Part # 2-1703498-3  
2POS, MCON 1.2 LL TAB SEALED  
COD B



TE Part # 1-1703498-2  
2POS, MCON 1.2 LL TAB SEALED  
COD A



TE Part # 2-1564559-1  
4POS, MCON 1.2 LL TAB SEALED  
COD B



TE Part # 1488991-2  
3POS, MCON 1.2 CB REC 2p TL  
SEALED



TE Part # 1-2141520-1  
5POS, MCON 1.2 LL TAB SEALED  
COD A

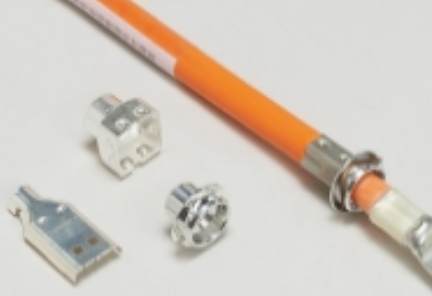


TE Part # 2-1564559-4  
4POS, MCON 1.2 LL TAB SEALED  
COD B

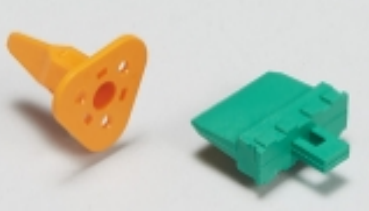
Also in the Series | **MQS**




Automotive Connector Caps & Covers  
(138)



Automotive Connector EMC Shielding  
(3)



Automotive Connector Locks &  
Position Assurance(30)



Automotive Housings(507)



Automotive Terminals(104)



Connector Seals & Cavity Plugs(31)



Insertion & Extraction Tools(42)



Other Automotive Connector Accessories(10)



PCB Headers & Receptacles(213)

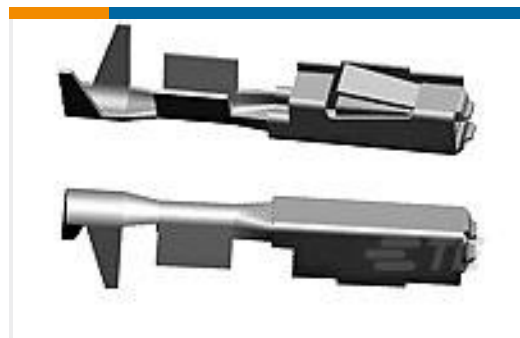
## Customers Also Bought



TE Part #1-1670918-1  
4POS, MCON 1.2 LL REC SEALED



TE Part #1670146-1  
MCON Receptacle and Tab



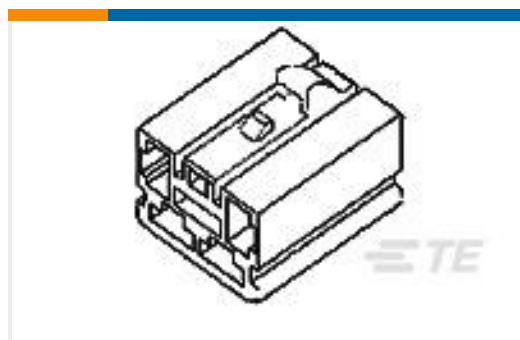
TE Part #5-962885-1  
MQS0,63 Sn rec LL EDS 0,2-0,35



TE Part #636901P034  
QS1500-NO.3-F7-0-40MM



TE Part #928885-3  
110 FASTON FLAG REC 20-17 AWG TPBR



TE Part #172222-1  
FF 250 PLUG HSG 4P NYLON NAT



TE Part #336587-1  
PRINTED CIRCUIT BOARD RECEP



TE Part #YD369-B99-AP4-119P  
369 9 WAY PANEL MNT REC, 90 PCB PIN 119P



TE Part #5-1481631-6  
CLAMPING RETAINER

## Documents



### Product Drawings

[MQS BLINDSTOPFEN4MM](#)

English

[MQS BLINDSTOPFEN4MM](#)

English

---

### CAD Files

[3D PDF](#)

3D

Customer View Model

[ENG\\_CVM\\_CVM\\_967056-1\\_B.2d\\_dxf.zip](#)

English

Customer View Model

[ENG\\_CVM\\_CVM\\_967056-1\\_B.3d\\_igs.zip](#)

English

Customer View Model

[ENG\\_CVM\\_CVM\\_967056-1\\_B.3d\\_stp.zip](#)

English

By downloading the CAD file I accept and agree to the [Terms and Conditions](#) of use.

---

### Datasheets & Catalog Pages

[MCON Interconnection System](#)

English

---

### Product Specifications

[Application Specification](#)

English

[Application Specification](#)

English