

964326-1 ✓ ACTIVE

AMP | Standard Power Timer

TE Internal #: 964326-1

Automotive Terminals, Receptacle, Mating Tab Width 6.3 mm [.25 in], Tab Thickness .8 mm [.031 in], 17 – 13 AWG Wire Size, Standard Power Timer

[View on TE.com >](#)



Terminals & Splices > Automotive Terminals > TIMER, RECEPTACLE AND TAB



Terminal Type: **Receptacle**

Mating Tab Width: **6.3 mm [.25 in]**

Mating Tab Thickness: **.8 mm [.031 in]**

Terminal Transmits: **25 – 40 A (Power)**

Wire Size: **17 – 13 AWG**

[All TIMER, RECEPTACLE AND TAB \(348\)](#)

Features

Product Type Features

Sealable	No
Primary Locking Feature	Locking Lance

Contact Features

Contact Size	6.3mm
Contact Fabrication	Stamped & Formed
Wire Contact Termination Area Plating Material	Tin
Typical Current Rating	40 A
Crimp Type	F-Crimp
Terminal Type	Receptacle
Mating Tab Width	6.3 mm[.25 in]
Mating Tab Thickness	.8 mm[.031 in]
Interface Plating	Tin (Sn)

Termination Features

Termination Method to Wire & Cable	Crimp
Product Terminates To	Wire

Dimensions



Compatible Insulation Diameter Range	2.2 – 3 mm [.087 – .118 in]
Wire Size	1 – 2.5 mm ²
Wire Size Search	13 AWG, 14 AWG, 15 AWG, 16 AWG, 17 AWG
Tab Length	19.5 mm [.77 in]

Usage Conditions

Insulation Option	Uninsulated
Operating Temperature (Max)	130 °C [266 °F]
Operating Temperature Range	-40 – 130 °C [-40 – 266 °F]

Operation/Application

Compatible With Wire Base Material	Copper
------------------------------------	--------

Industry Standards

Agency/Standard	IEC 664/664A (DIN VDE 0110)
-----------------	-----------------------------

Packaging Features

Packaging Quantity	2200
Packaging Method	Reel

Other

Terminal Transmits	25 – 40 A (Power)
--------------------	-------------------

Product Compliance

[For compliance documentation, visit the product page on TE.com>](#)

EU RoHS Directive 2011/65/EU	Compliant
EU ELV Directive 2000/53/EC	Compliant
China RoHS 2 Directive MIIT Order No 32, 2016	No Restricted Materials Above Threshold
EU REACH Regulation (EC) No. 1907/2006	Current ECHA Candidate List: JUNE 2023 (235) Candidate List Declared Against: JUNE 2022 (224) Does not contain REACH SVHC
Halogen Content	Low Halogen - Br, Cl, F, I < 900 ppm per homogenous material. Also BFR/CFR/PVC Free
Solder Process Capability	Not applicable for solder process capability

Product Compliance Disclaimer

This information is provided based on reasonable inquiry of our suppliers and represents our current actual knowledge based on the information they provided. This information is subject to change. The part numbers that TE has identified as EU RoHS compliant have a maximum concentration of 0.1% by weight in homogenous materials for lead, hexavalent chromium, mercury, PBB, PBDE, DBP, BBP, DEHP, DIBP, and 0.01% for cadmium, or qualify for an exemption to these limits as defined in the Annexes of Directive 2011/65/EU (RoHS2). Finished electrical and electronic equipment products will be CE marked as required by Directive 2011/65/EU. Components may not be CE marked. Additionally, the part numbers that TE has identified as EU ELV compliant have a maximum concentration of 0.1% by weight in homogenous materials for lead, hexavalent chromium, and mercury, and 0.01% for cadmium, or qualify for an exemption to these limits as defined in the Annexes of Directive 2000/53/EC (ELV). Regarding the REACH Regulation, the information TE provides on SVHC in articles for this part number is based on the latest European Chemicals Agency (ECHA) 'Guidance on requirements for substances in articles' posted at this URL: <https://echa.europa.eu/guidance-documents/guidance-on-reach>

Compatible Parts



TE Part # 4-1579007-3
EXTRACTION TOOL KIT



TE Part # 1-1579007-6
EXTRACTION TOOL



TE Part # 2305570-1
Strip Terminal Cutter-Side Feed-No Crimp



TE Part # CAT-T4827-CH8172
Timer Connector Housing



TE Part # 2151059-1
OCEAN_2.0_APPLICATOR-S-110F1400V



TE Part # 2151059-2
OCEAN_2.0_APPLICATOR-S-110F1400V



TE Part # 2836684-1
APPLICATOR TO MAKE LOOSE PIECE TERMINAL




TE Part # 7-2151059-1
OCEAN_2.0_APPLICATOR-S-110F1400V



TE Part # 7-2151059-2
OCEAN_2.0_APPLICATOR-S-110F1400V



TE Part # 7-2151059-7
OCEAN_2.0_SPARE_PART_KIT-110F1400V




TE Part # 7-2836684-7
TOOLING KIT TO MAKE LOOSE PIECE TERMINAL



TE Part # 2-2151059-1
OCEAN_2.0_APPLICATOR-S-110F1400V



TE Part # 2-2151059-2
OCEAN_2.0_APPLICATOR-S-110F1400V



TE Part # 2394300-1
EXTRACTION TOOL



TE Part # 1563775-1
3POS,SPT,REC HSG,NO 2.LOCK,BK

Also in the Series | Standard Power Timer



Automotive Housings(37)



Automotive Terminals(57)



Busbars & Terminals(4)



Insertion & Extraction Tools(1)

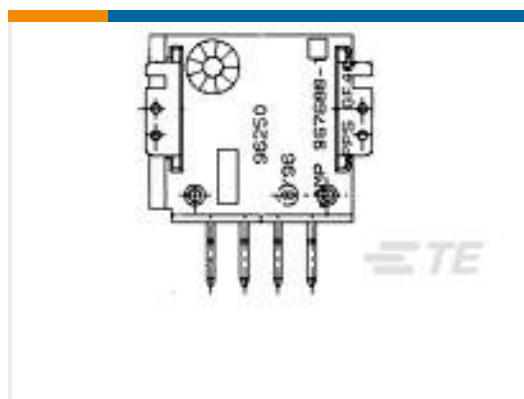


Module Components(6)

Customers Also Bought



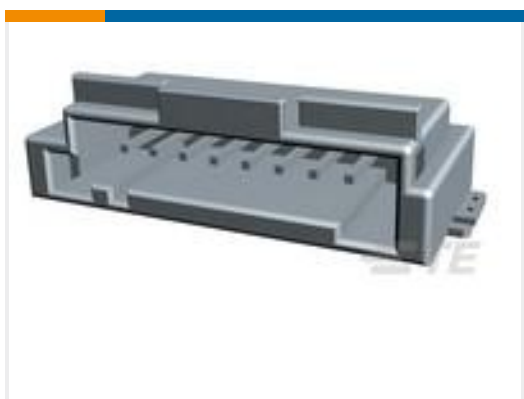
TE Part #160860-4
FF 250 REC 0.5-1.0MM2 TPPB



TE Part #969682-1
6pos MQS .63 header 90deg SMD



TE Part #444313-1
Timer Connector Housing



TE Part #1670643-2
8pos MQS .63 header 90deg SMD



TE Part #444308-1
FRAME, FUSE/RELAY B



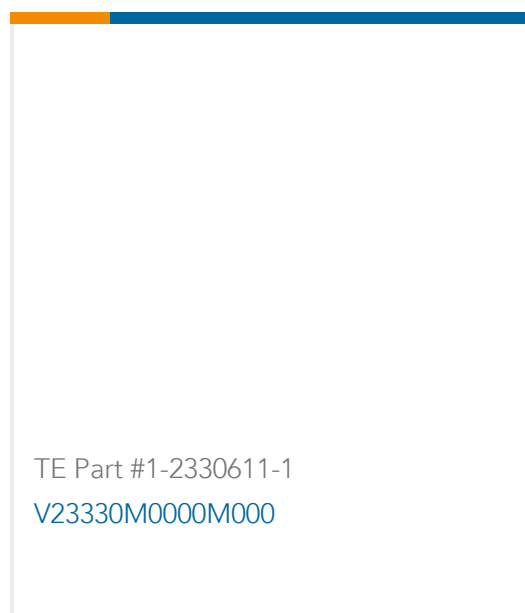
TE Part #2362766-3
MATENET,CABLE ASSY,100 MBPS UTP



TE Part #880686-2
.140 DIA SOCKET



TE Part #444407-2
FASTIN-ON 110 HSG 4 POS REC



TE Part #1-2330611-1
V23330M0000M000



Documents

Product Drawings

SPT A REC 6.3 Contact SRC Sn

English

CAD Files

Customer View Model

[ENG_CVM_CVM_964326-1_C.2d_dxf.zip](#)

English

3D PDF

3D

Customer View Model

[ENG_CVM_CVM_964326-1_C.3d_igs.zip](#)

English

Customer View Model

[ENG_CVM_CVM_964326-1_C.3d_stp.zip](#)

English

By downloading the CAD file I accept and agree to the [Terms and Conditions](#) of use.

Datasheets & Catalog Pages

Timer Interconnection System

English

Product Specifications

Application Specification

German

Application Specification

English

Application Specification

English

Product Environmental Compliance

Product Compliance

English

Product Compliance

English