



AMP | Micro Timer II

TE Internal #: 964274-2

Automotive Terminals, Receptacle, Mating Tab Width 1.6 mm [.063 in], Tab Thickness .6 mm [.024 in], 20 – 17 AWG Wire Size, Micro Timer II

[View on TE.com >](#)

Terminals & Splices > Automotive Terminals > TIMER, RECEPTACLE AND TAB



Terminal Type: **Receptacle**

Mating Tab Width: **1.6 mm [.063 in]**

Mating Tab Thickness: **.6 mm [.024 in]**

Terminal Transmits: **0 – 24 A (Low Power)**

Wire Size: **20 – 17 AWG**

[All TIMER, RECEPTACLE AND TAB \(348\)](#)

Features

Product Type Features

| | |
|-------------------------|---------------|
| Sealable | Yes |
| Primary Locking Feature | Locking Lance |

Body Features

| | |
|--------------------|------------------------|
| Terminal Seal Type | Single Wire Seal (SWS) |
|--------------------|------------------------|

Contact Features

| | |
|--|------------------|
| Contact Size | 1.6mm |
| Contact Fabrication | Stamped & Formed |
| Wire Contact Termination Area Plating Material | Tin |
| Typical Current Rating | 10 A |
| Crimp Type | F-Crimp |
| Terminal Type | Receptacle |
| Mating Tab Width | 1.6 mm[.063 in] |
| Mating Tab Thickness | .6 mm[.024 in] |
| Interface Plating | Tin (Sn) |

Termination Features

| | |
|------------------------------------|-------|
| Termination Method to Wire & Cable | Crimp |
|------------------------------------|-------|



Product Terminates To Wire

Dimensions

| | |
|--------------------------------------|--------------------------------|
| Compatible Insulation Diameter Range | 1.4 – 2.1 mm [.055 – .083 in] |
| Wire Size | .5 – 1 mm ² |
| Wire Size Search | 17 AWG, 18 AWG, 19 AWG, 20 AWG |
| Tab Length | 19.15 mm [.753 in] |

Usage Conditions

| | |
|-----------------------------|-----------------------------|
| Insulation Option | Uninsulated |
| Operating Temperature (Max) | 120 °C [248 °F] |
| Operating Temperature Range | -40 – 120 °C [-40 – 248 °F] |

Operation/Application

| | |
|------------------------------------|--------|
| Compatible With Wire Base Material | Copper |
|------------------------------------|--------|

Industry Standards

| | |
|-----------------|-----------------------------|
| Agency/Standard | IEC 664/664A (DIN VDE 0110) |
|-----------------|-----------------------------|

Packaging Features

| | |
|--------------------|------|
| Packaging Quantity | 4000 |
| Packaging Method | Reel |

Other

| | |
|--------------------|----------------------|
| Terminal Transmits | 0 – 24 A (Low Power) |
|--------------------|----------------------|

Product Compliance

[For compliance documentation, visit the product page on TE.com>](#)

| | |
|---|---|
| EU RoHS Directive 2011/65/EU | Compliant |
| EU ELV Directive 2000/53/EC | Compliant |
| China RoHS 2 Directive MIIT Order No 32, 2016 | No Restricted Materials Above Threshold |
| EU REACH Regulation (EC) No. 1907/2006 | Current ECHA Candidate List: JUNE 2023 (235) Candidate List Declared Against: JUNE 2023 (235) Does not contain REACH SVHC |
| Halogen Content | Low Halogen - Br, Cl, F, I < 900 ppm per homogenous material. Also BFR/CFR/PVC Free |
| Solder Process Capability | Not applicable for solder process capability |

Product Compliance Disclaimer

This information is provided based on reasonable inquiry of our suppliers and represents our current actual knowledge based on the information they provided. This information is subject to change. The part numbers that TE has identified as EU RoHS compliant have a maximum concentration of 0.1% by weight in homogenous materials for lead, hexavalent chromium, mercury, PBB, PBDE, DBP, BBP, DEHP, DIBP, and 0.01% for cadmium, or qualify for an exemption to these limits as defined in the Annexes of Directive 2011/65/EU (RoHS2). Finished electrical and electronic equipment products will be CE marked as required by Directive 2011/65/EU. Components may not be CE marked. Additionally, the part numbers that TE has identified as EU ELV compliant have a maximum concentration of 0.1% by weight in homogenous materials for lead, hexavalent chromium, and mercury, and 0.01% for cadmium, or qualify for an exemption to these limits as defined in the Annexes of Directive 2000/53/EC (ELV). Regarding the REACH Regulation, the information TE provides on SVHC in articles for this part number is based on the latest European Chemicals Agency (ECHA) 'Guidance on requirements for substances in articles' posted at this URL: <https://echa.europa.eu/guidance-documents/guidance-on-reach>

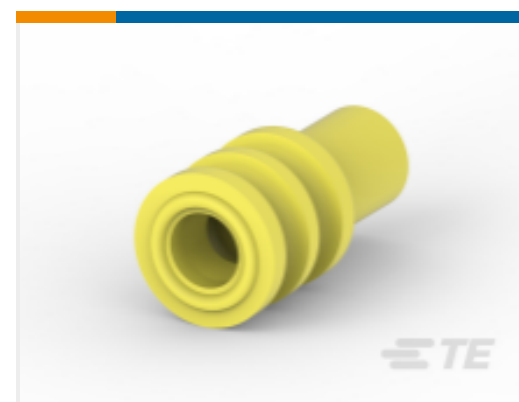
Compatible Parts



TE Part # CAT-T4827-CH8172
Timer Connector Housing



TE Part # 539960-1
AUSZ-WKZ,MICRO TIM.



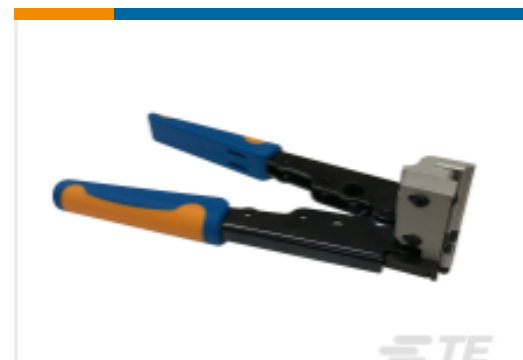
TE Part # 964972-1
EINZELLEITERDICHTNG



TE Part # 963530-1
EINZELLEITERDICHTNG



TE Part # 1-1394416-1
MT2,FL-KONTGEH 2X4P



TE Part # 2305570-1
Strip Terminal Cutter-Side Feed-No Crimp



TE Part # 5-1579018-6
INSERTION TOOL



TE Part # 2151057-1
OCEAN_2.0_APPLICATION-S-080F130O



TE Part # 2151057-2
OCEAN_2.0_APPLICATION-S-080F130O



TE Part # 5-2151057-1
OCEAN_2.0_APPLICATION-S-080F130O



TE Part # 5-2151057-2
OCEAN_2.0_APPLICATION-S-080F130O



TE Part # 7-2151057-1
OCEAN_2.0_APPLICATION-S-080F130O

TE Part # 7-2151057-2
OCEAN_2.0_APPLICATOR-S-080F130O

KIT
REPRESENTATION ONLY

TE Part # 7-2151057-7
OCEAN_2.0_SPARE_PART_KIT-080F130O

KIT
REPRESENTATION ONLY

TE Part # 7-2151935-7
OC-080F130O-752_CRIMPTOOLINGKIT

TE Part # 2-2151057-1
OCEAN_2.0_APPLICATOR-S-080F130O

TE Part # 2-2151057-2
OCEAN_2.0_APPLICATOR-S-080F130O

TE Part # 1746894-2
MT2 RD SEAL 2POSN PLUG HSG ASSY

TE Part # 1746894-3
MT2 RD SEAL 2POSN PLUG HSG ASSY

TE Part # 1746894-4
MT2 RD SEAL 2POSN PLUG HSG ASSY

Also in the Series | **Micro Timer II**

Automotive Connector Caps & Covers (2)

Automotive Connector Locks & Position Assurance(1)

Automotive Housings(34)

Automotive Terminals(30)

Connector Seals & Cavity Plugs(1)

Insertion & Extraction Tools(4)

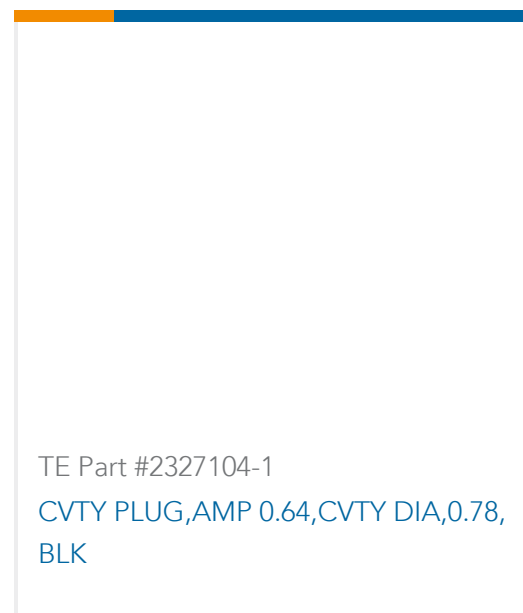
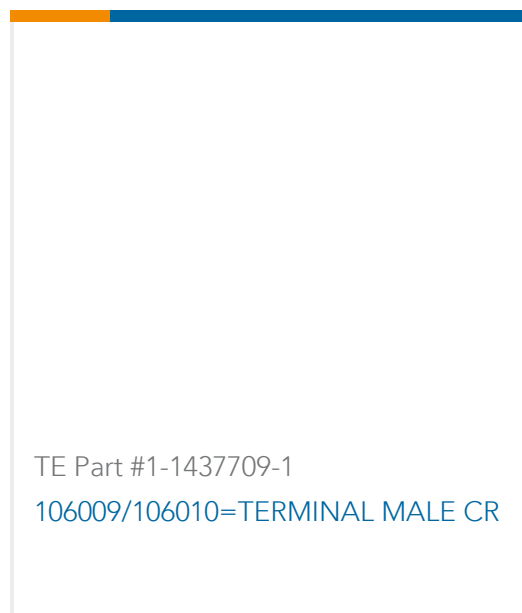
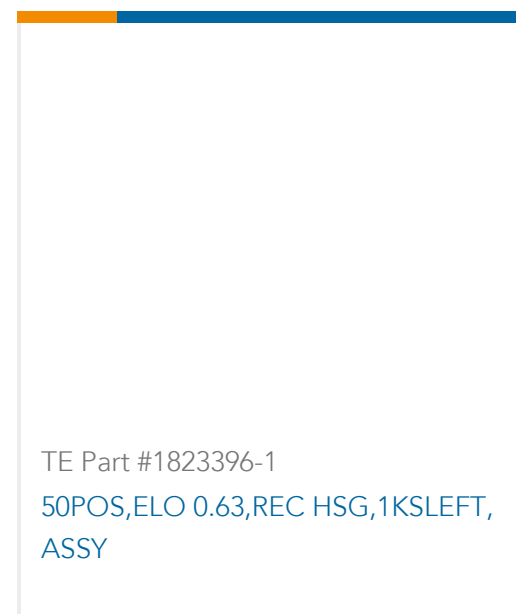
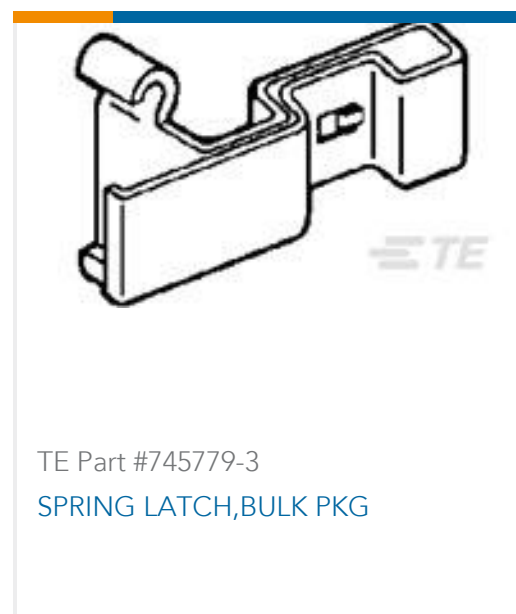
Customers Also Bought

TE Part #926330-1
PL 250 REC HSG 6P NYLON BLACK

TE Part #2209441-1
2W SPLASH PROOF CONN. W.S.L. JPT

TE Part #964274-3
MT2 A REC 1.6 Contact SWS Au

TE Part #K1040309
Toggle Switch 07-4-2-15 934



Documents

Product Drawings

MT2 A REC 1.6 Contact SWS Sn

English

CAD Files

3D PDF

3D

Customer View Model

[ENG_CVM_CVM_964274-2_E.2d_dxf.zip](#)

English

Customer View Model

[ENG_CVM_CVM_964274-2_E.3d_igs.zip](#)

English

Customer View Model

[ENG_CVM_CVM_964274-2_E.3d_stp.zip](#)

English

By downloading the CAD file I accept and agree to the [Terms and Conditions](#) of use.

Datasheets & Catalog Pages

Timer Interconnection System

English

Product Specifications

Application Specification

German

Application Specification

English



[Application Specification](#)

English

[Application Specification](#)

English