

964204-1 ✓ ACTIVE

[RAST](#) | [RAST 5 IDC Connectors](#)

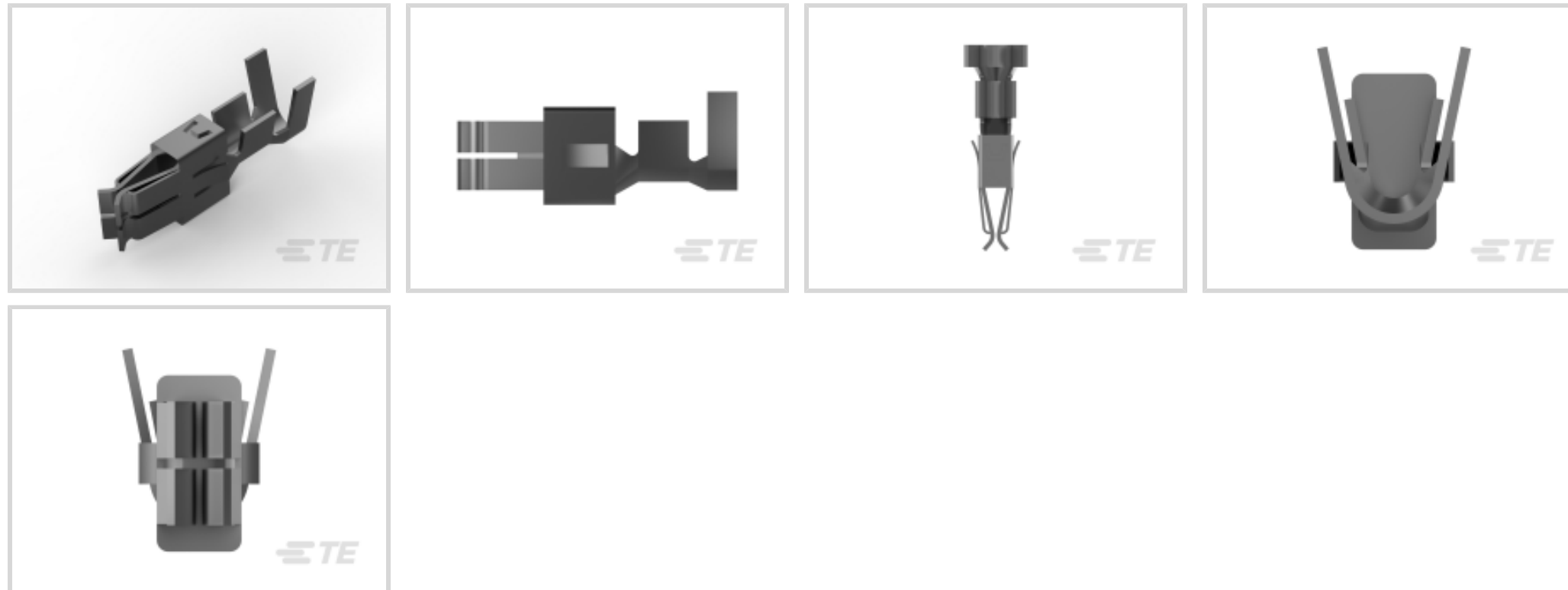
TE Internal #: 964204-1

Automotive Terminals, Receptacle, Mating Tab Width 5.8 mm [.228 in], Tab Thickness .8 mm [.031 in], 16 – 12 AWG Wire Size, RAST 5 IDC Connectors

[View on TE.com >](#)



Terminals & Splices > Automotive Terminals



Terminal Type: **Receptacle**

Mating Tab Width: **5.8 mm [.228 in]**

Mating Tab Thickness: **.8 mm [.031 in]**

Terminal Transmits: **0 – 24 A (Low Power)**

Wire Size: **16 – 12 AWG**

## Features

### Product Type Features

Sealable	No
Primary Locking Feature	Locking Lance

### Contact Features

Contact Size	6.3mm
Contact Fabrication	Stamped & Formed
Crimp Type	F-Crimp
Terminal Type	Receptacle
Mating Tab Width	5.8 mm [.228 in]
Mating Tab Thickness	.8 mm [.031 in]
Interface Plating	Tin (Sn)

### Termination Features

Termination Method to Wire & Cable	Crimp
Product Terminates To	Wire

## Dimensions



Wire Size	1.5 – 3 mm <sup>2</sup>
Wire Size Search	12 AWG, 13 AWG, 14 AWG, 15 AWG

### Usage Conditions

Insulation Option	Uninsulated
Operating Temperature (Max)	80 °C, 85 °C, 90 °C, 100 °C, 105 °C, 110 °C, 120 °C, 125 °C, 130 °C[176 °F][185 °F][194 °F][212 °F][221 °F][230 °F][248 °F][257 °F][266 °F]
Operating Temperature Range	-40 – 130 °C[-40 – 266 °F]

### Operation/Application

Compatible With Wire Base Material	Copper
------------------------------------	--------

### Packaging Features

Packaging Quantity	2000
Packaging Method	Reel

### Other

Terminal Transmits	0 – 24 A (Low Power)
--------------------	----------------------

## Product Compliance

[For compliance documentation, visit the product page on TE.com>](#)

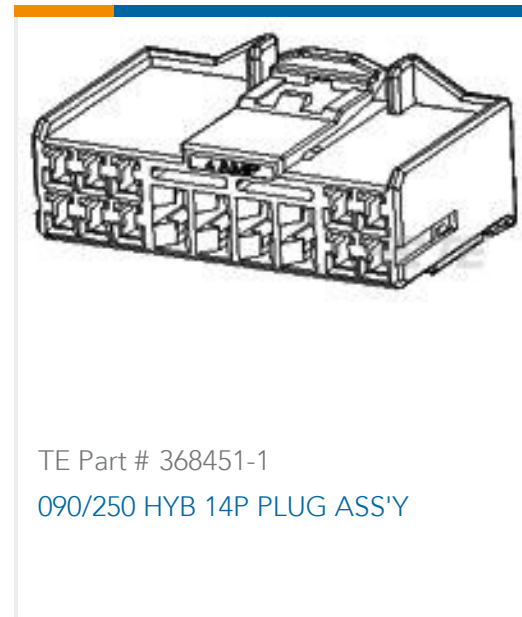
EU RoHS Directive 2011/65/EU	Compliant
EU ELV Directive 2000/53/EC	Compliant
China RoHS 2 Directive MIIT Order No 32, 2016	No Restricted Materials Above Threshold
EU REACH Regulation (EC) No. 1907/2006	Current ECHA Candidate List: JUNE 2023 (235) Candidate List Declared Against: JUNE 2023 (235) Does not contain REACH SVHC
Halogen Content	Low Halogen - Br, Cl, F, I < 900 ppm per homogenous material. Also BFR/CFR/PVC Free
Solder Process Capability	Not applicable for solder process capability

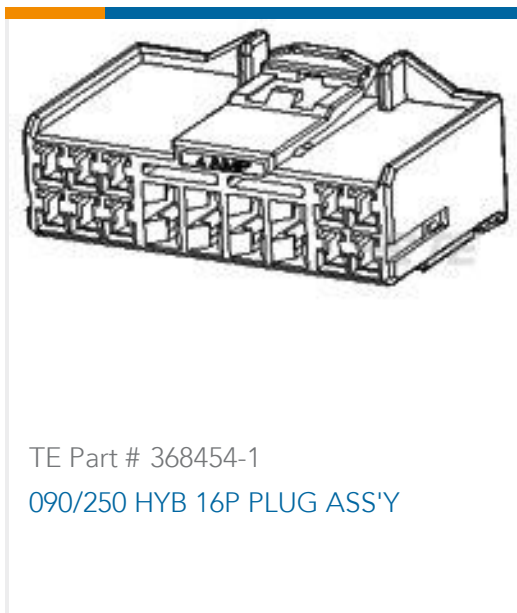
#### Product Compliance Disclaimer

This information is provided based on reasonable inquiry of our suppliers and represents our current actual knowledge based on the information they provided. This information is subject to change. The part numbers that TE has identified as EU RoHS compliant have a maximum concentration of 0.1% by weight in homogenous materials for lead, hexavalent chromium, mercury, PBB, PBDE, DBP, BBP, DEHP, DIBP, and 0.01% for cadmium, or qualify for an exemption to these limits as defined in the Annexes of Directive 2011/65/EU (RoHS2). Finished electrical and electronic equipment products will be CE marked as required by Directive 2011/65/EU. Components may not be CE marked. Additionally, the part

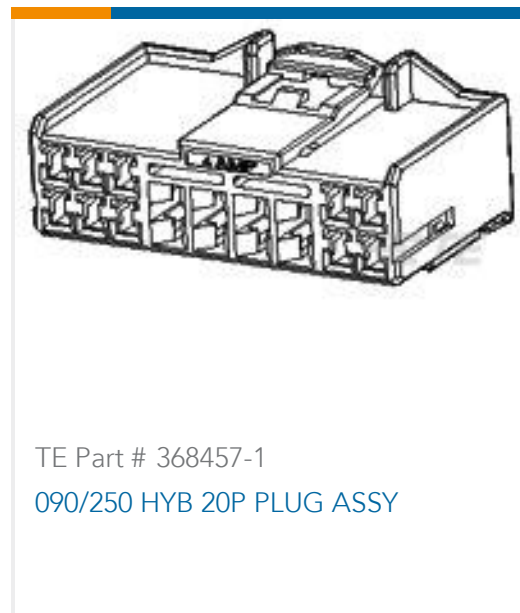
numbers that TE has identified as EU ELV compliant have a maximum concentration of 0.1% by weight in homogenous materials for lead, hexavalent chromium, and mercury, and 0.01% for cadmium, or qualify for an exemption to these limits as defined in the Annexes of Directive 2000/53/EC (ELV). Regarding the REACH Regulation, the information TE provides on SVHC in articles for this part number is based on the latest European Chemicals Agency (ECHA) 'Guidance on requirements for substances in articles' posted at this URL: <https://echa.europa.eu/guidance-documents/guidance-on-reach>

## Compatible Parts





TE Part # 368454-1  
090/250 HYB 16P PLUG ASS'Y



TE Part # 368457-1  
090/250 HYB 20P PLUG ASSY

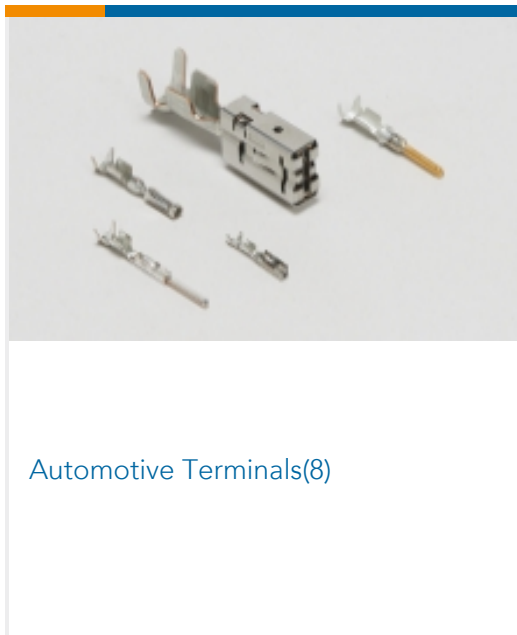


TE Part # 7-2836281-7  
OCEAN\_2.0\_SPARE\_PART\_KIT-110F156F

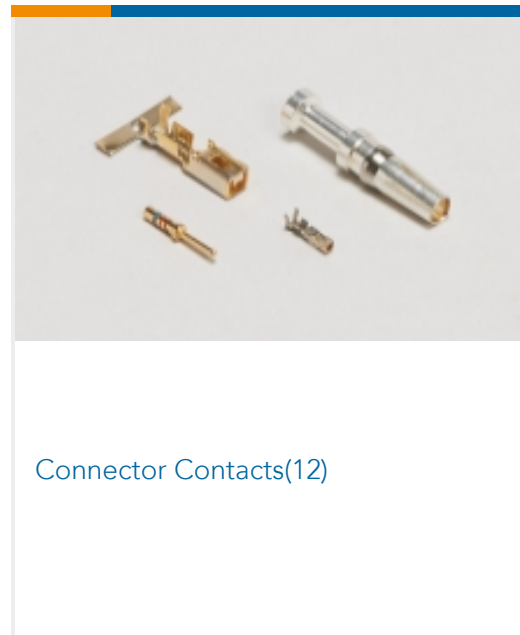


TE Part # 7-2836550-1  
OCEAN-2.0-APPLICATOR-S-110F155OV

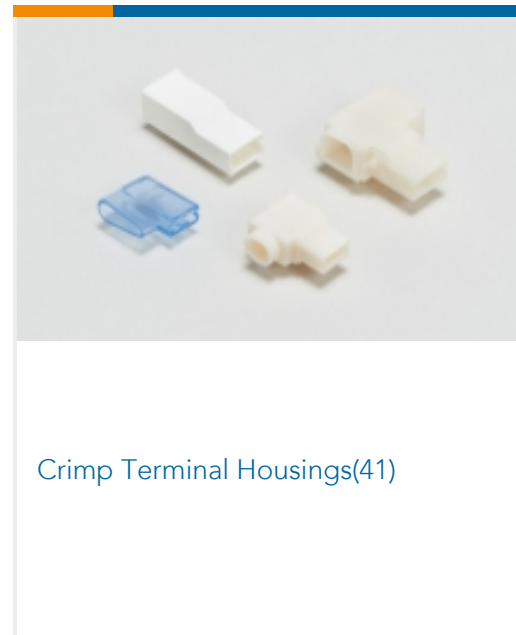
## Also in the Series | RAST 5 IDC Connectors



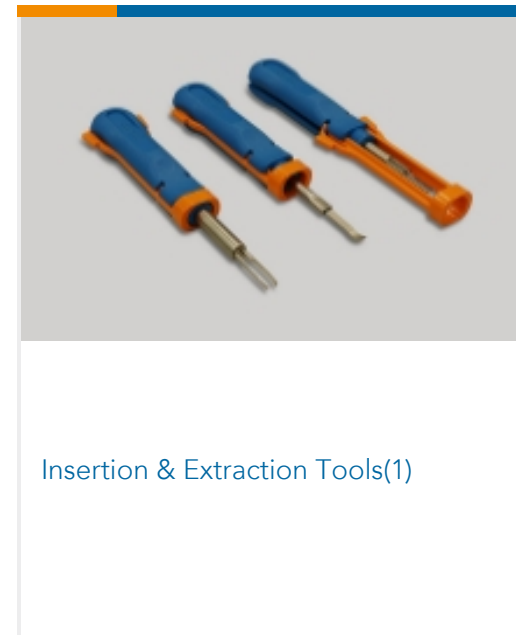
Automotive Terminals(8)



Connector Contacts(12)



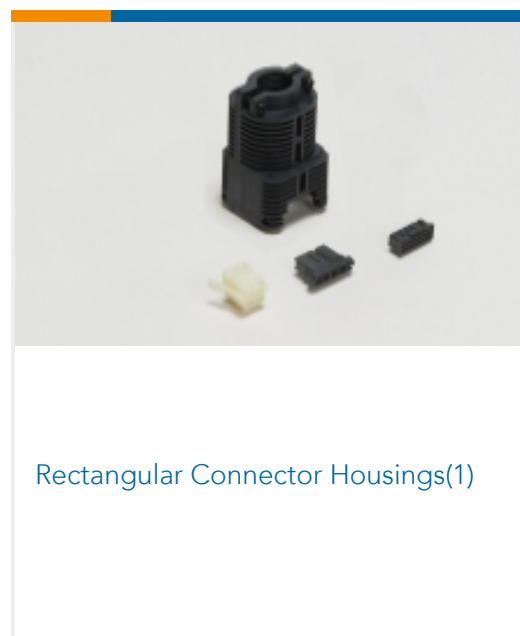
Crimp Terminal Housings(41)



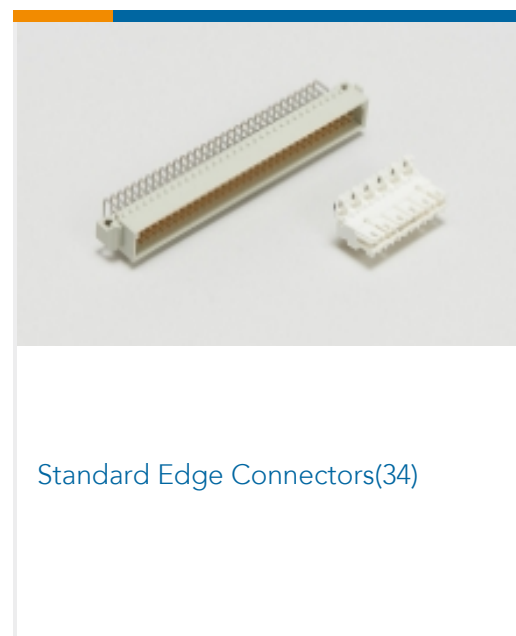
Insertion & Extraction Tools(1)



PCB Headers & Receptacles(417)



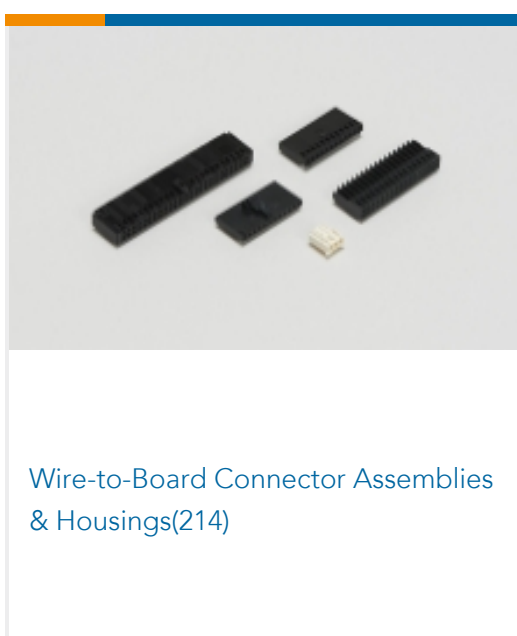
Rectangular Connector Housings(1)



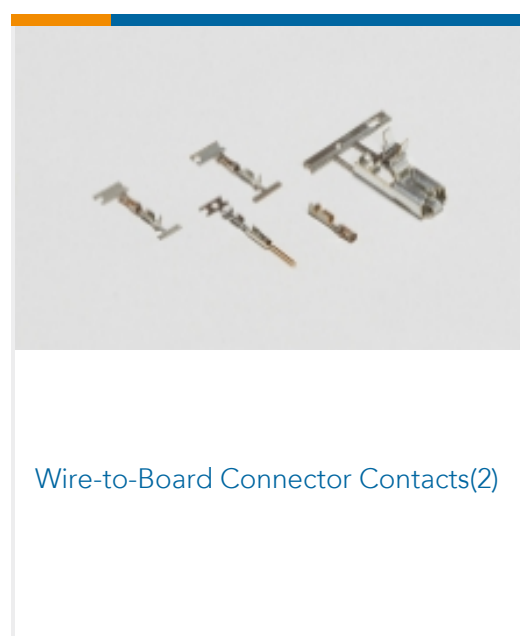
Standard Edge Connectors(34)



Standard Rectangular Connectors(68)



Wire-to-Board Connector Assemblies & Housings(214)



Wire-to-Board Connector Contacts(2)

## Customers Also Bought



TE Part #2-1241961-7  
STD TIM HOUSING MKII 3POS



TE Part #62194-2  
MIN AMVAR SPLC 016TPBR



TE Part #2238135-2  
RECEPTACLE, POSITIVE-LOCK, RAST 6.35



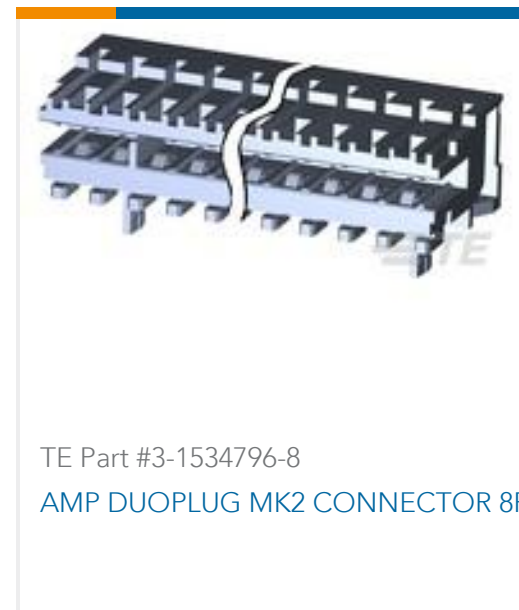
TE Part #1-1241964-1  
11POS STANDARD TIMER HOUSING



TE Part #1-1241961-8  
STD TIM HOUSING MKII 3POS



TE Part #3-1534798-9  
AMP DUOPLUG MARK II  
CONNECTOR3-20P SELEC



TE Part #3-1534796-8  
AMP DUOPLUG MK2 CONNECTOR 8P



TE Part #2371464-2  
2P, RAST5 P-LOCK HSG, INNER SLOT



TE Part #5-964702-3  
STD-TIMER HOUSING 9POS

## Documents

### Product Drawings

[STD-POW-TIM KONTAKT](#)

English

### CAD Files

[3D PDF](#)

3D

Customer View Model

[ENG\\_CVM\\_CVM\\_964204-1\\_B.2d\\_dxf.zip](#)

English

Customer View Model

[ENG\\_CVM\\_CVM\\_964204-1\\_B.3d\\_igs.zip](#)

English

Customer View Model

[ENG\\_CVM\\_CVM\\_964204-1\\_B.3d\\_stp.zip](#)

English

[3D PDF](#)

English

Customer View Model

[ENG\\_CVM\\_964204-1\\_B1.2d\\_dxf.zip](#)

English

Customer View Model

[ENG\\_CVM\\_964204-1\\_B1.3d\\_igs.zip](#)

English

Customer View Model

[ENG\\_CVM\\_964204-1\\_B1.3d\\_stp.zip](#)

English



By downloading the CAD file I accept and agree to the [Terms and Conditions](#) of use.

---

### Datasheets & Catalog Pages

[1654742\\_HOUSEHOLD\\_APPLIANCES\\_RAST5](#)

English

---

### Product Specifications

[Application Specification](#)

English

---

### Product Environmental Compliance

[MD\\_964204-1\\_06282017113\\_dmtec](#)

English

[MD\\_964204-1\\_06282017113\\_dmtec](#)

English