

963598-1 ✓ ACTIVE

AMP | Junior Power Timer

TE Internal #: 963598-1

Housing for Female Terminals, Wire-to-Wire, 68 Position, .157 in [4 mm] Centerline, Sealable, Black, Wire & Cable, Power, Junior Power Timer

[View on TE.com >](#)



Connectors > Automotive Connectors > Automotive Housings > Timer Connector Housing



Connector System: **Wire-to-Wire**

Number of Positions: **68**

Connector & Housing Type: **Housing for Female Terminals**

Centerline (Pitch): **4 mm [.157 in]**

Sealable: **Yes**

[All Timer Connector Housing \(585\)](#)

Features

Product Type Features

Mixed & Hybrid Connector	Yes
Connector Shape	Rectangular
Connector System	Wire-to-Wire
Connector & Housing Type	Housing for Female Terminals
Sealable	Yes
Connector & Contact Terminates To	Wire & Cable
Primary Locking Feature	On the Terminal

Configuration Features

Number of Positions	68
Number of Rows	3

Electrical Characteristics

Nominal Voltage Architecture	12 V, 24 V
------------------------------	------------

Body Features

Cable Exit Angle	90°
Primary Product Color	Black

Contact Features

--	--



Contact Size	1.5mm, 2.8mm
Contact Type	Receptacle
Mating Tab Width	1.5 mm, 2.8 mm [.059 in][.11 in]
Contact Current Rating (Max)	20 A

Mechanical Attachment

Terminal Position Assurance	No
Strain Relief	Without
Mating Alignment Type	Polarized
Mating Alignment	With
Connector Mounting Type	Cable Mount (Free-Hanging)

Housing Features

Housing Material	PA66 GF30
Centerline (Pitch)	4 mm [.157 in]

Dimensions

Connector Height	29.6 mm [1.165 in]
Product Width	31.8 mm [1.252 in]
Product Length	96.3 mm [3.791 in]
Row-to-Row Spacing	4 mm [.157 in]

Usage Conditions

Operating Temperature (Max)	70 °C, 75 °C, 80 °C, 85 °C, 90 °C, 100 °C, 105 °C, 110 °C [158 °F][167 °F][176 °F][185 °F][194 °F][212 °F][221 °F][230 °F]
Operating Temperature Range	-40 – 110 °C [-40 – 230 °F]

Operation/Application

Circuit Application	Power
---------------------	-------

Packaging Features

Packaging Method	Carton
------------------	--------

Other

Serviceable	No
Connector Position Assurance Capable	No

Product Compliance

For compliance documentation, visit the product page on [TE.com](https://www.te.com)>



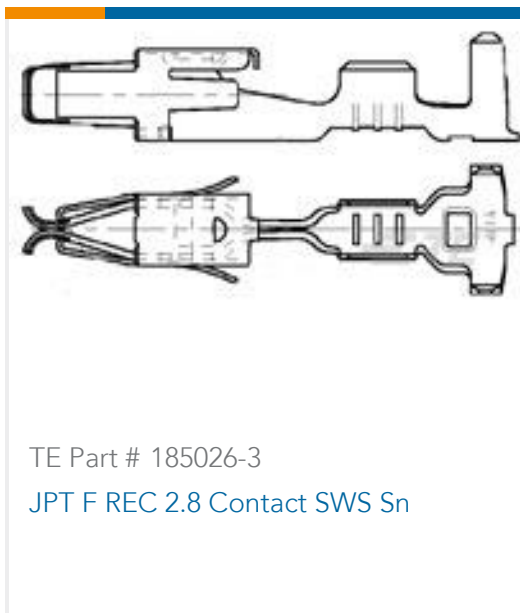
EU RoHS Directive 2011/65/EU	Compliant
EU ELV Directive 2000/53/EC	Compliant
China RoHS 2 Directive MIIT Order No 32, 2016	No Restricted Materials Above Threshold
EU REACH Regulation (EC) No. 1907/2006	Current ECHA Candidate List: JUNE 2023 (235) Candidate List Declared Against: JUNE 2023 (235) Does not contain REACH SVHC
Halogen Content	Low Halogen - Br, Cl, F, I < 900 ppm per homogenous material. Also BFR/CFR/PVC Free
Solder Process Capability	Not applicable for solder process capability

Product Compliance Disclaimer

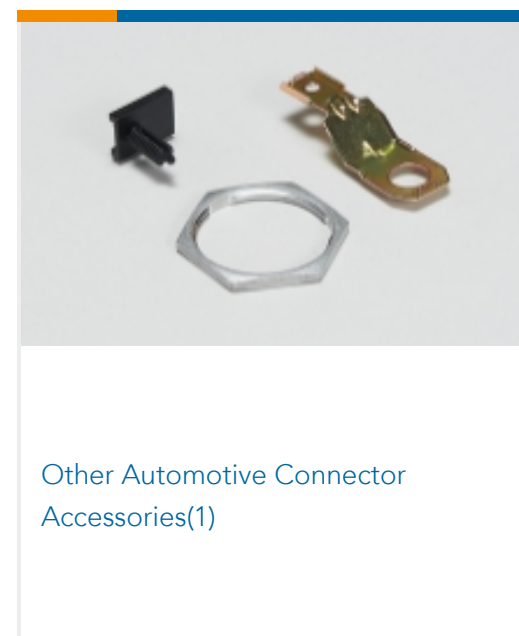
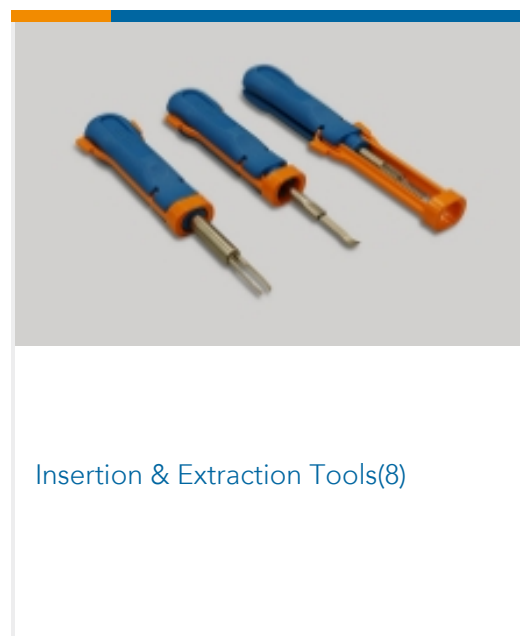
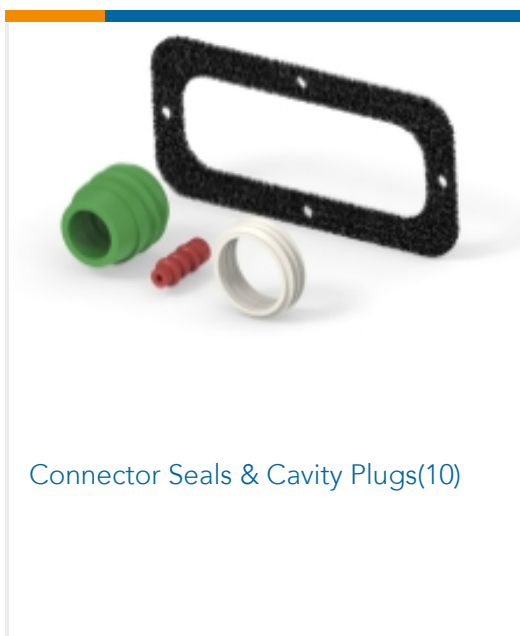
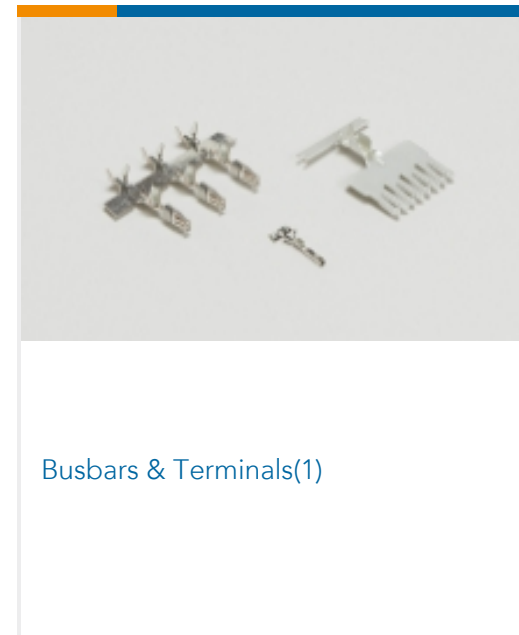
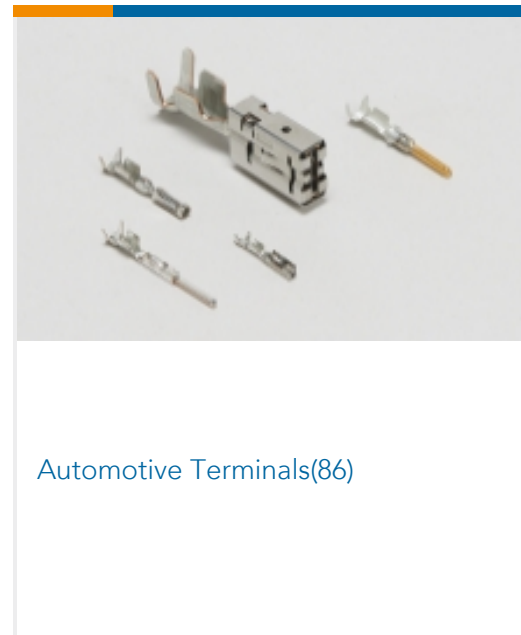
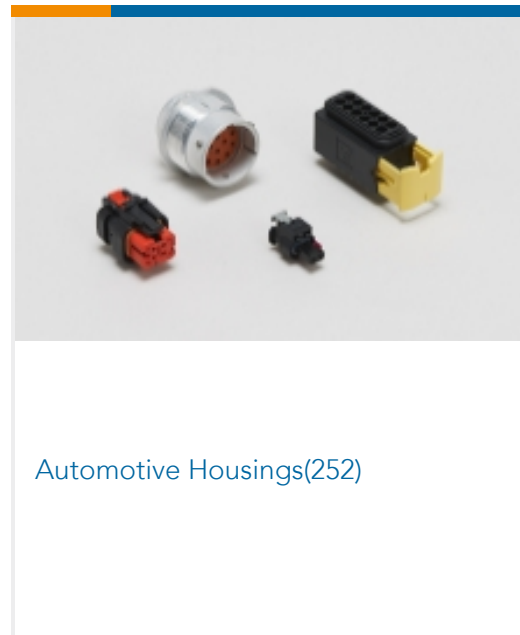
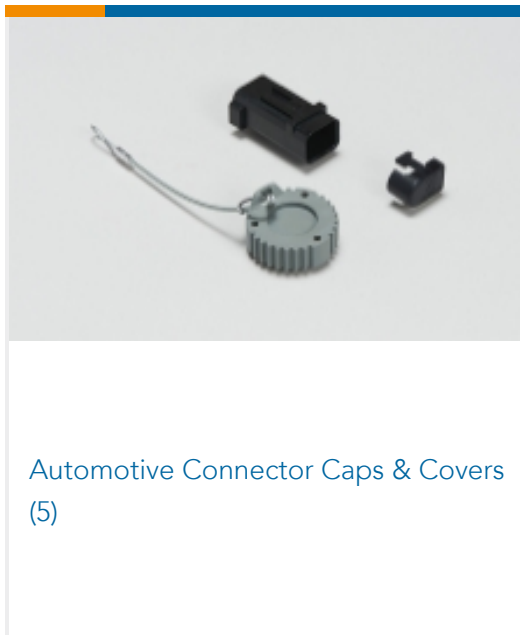
This information is provided based on reasonable inquiry of our suppliers and represents our current actual knowledge based on the information they provided. This information is subject to change. The part numbers that TE has identified as EU RoHS compliant have a maximum concentration of 0.1% by weight in homogenous materials for lead, hexavalent chromium, mercury, PBB, PBDE, DBP, BBP, DEHP, DIBP, and 0.01% for cadmium, or qualify for an exemption to these limits as defined in the Annexes of Directive 2011/65/EU (RoHS2). Finished electrical and electronic equipment products will be CE marked as required by Directive 2011/65/EU. Components may not be CE marked. Additionally, the part numbers that TE has identified as EU ELV compliant have a maximum concentration of 0.1% by weight in homogenous materials for lead, hexavalent chromium, and mercury, and 0.01% for cadmium, or qualify for an exemption to these limits as defined in the Annexes of Directive 2000/53/EC (ELV). Regarding the REACH Regulation, the information TE provides on SVHC in articles for this part number is based on the latest European Chemicals Agency (ECHA) 'Guidance on requirements for substances in articles' posted at this URL: <https://echa.europa.eu/guidance-documents/guidance-on-reach>

Compatible Parts

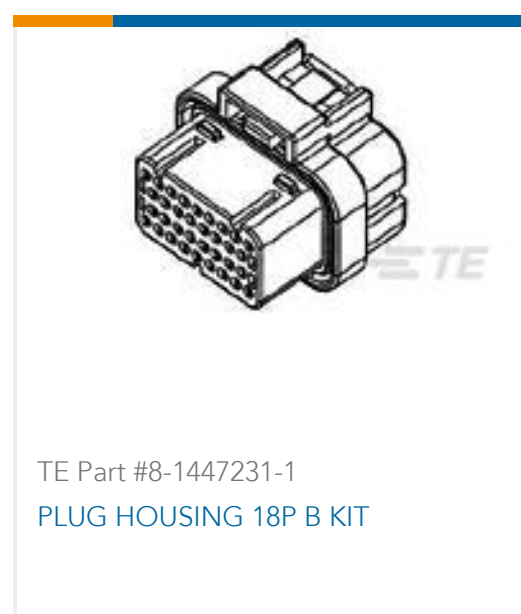
<p>TE Part # 828905-1 SINGLE-WIRE-SEAL(5MM HOLE)</p>	<p>TE Part # 963530-1 EINZELLEITERDICHTUNG</p>	<p>TE Part # 966595-1 MESSERSLEISTE 68P</p>	<p>TE Part # CAT-T4827-B128 TIMER ACCESSORIES</p>
<p>TE Part # 929937-3 JPT REC 2.8 Contact SWS Sn</p>	<p>TE Part # 185027-1 JPT F REC 2.8 Contact SWS Sn</p>	<p>TE Part # 185026-1 JPT F REC 2.8 Contact SWS Sn</p>	<p>TE Part # 828904-1 SINGLE WIRE SEAL FOR J.P.T.CON</p>



Also in the Series | Junior Power Timer



Customers Also Bought





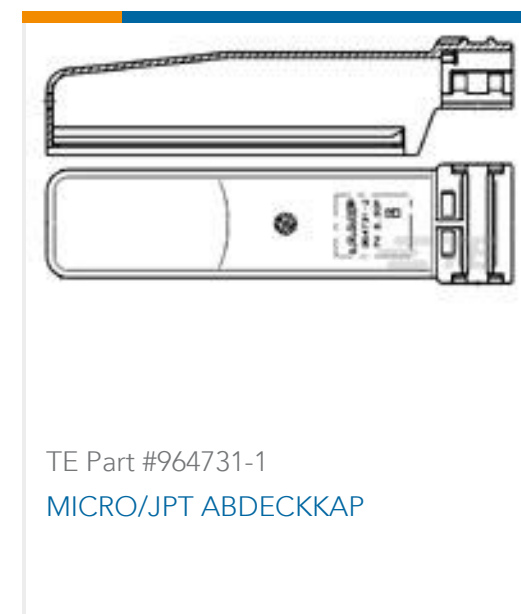
TE Part #1355469-1
1,6/2,8/5,8TAB-GH42



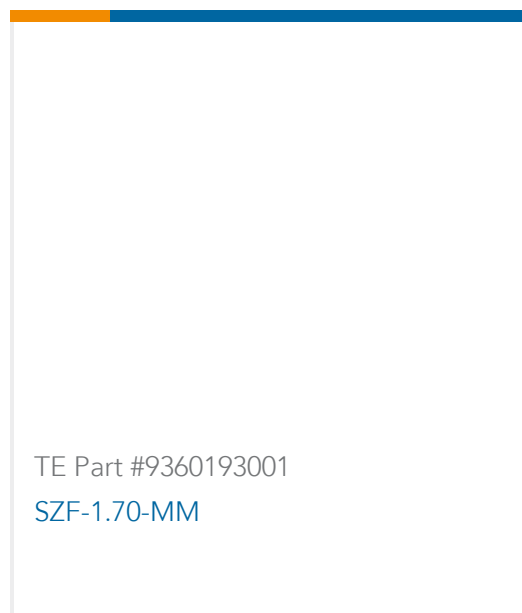
TE Part #1-968855-3
AMP MCP 2.8, CONTACT SWS



TE Part #7-2151426-7
OCEAN_2.0_SPARE_PART_KIT-140F2100



TE Part #964731-1
MICRO/JPT ABDECKKAP



TE Part #9360193001
SZF-1.70-MM

Documents

Product Drawings

MICRO-T/JPT GH66/2P

English

CAD Files

Customer View Model

[ENG_CVM_963598-1_A.3d_igs.zip](#)

English

Customer View Model

[ENG_CVM_963598-1_A.3d_stp.zip](#)

English

Customer View Model

[ENG_CVM_963598-1_A.2d_dxf.zip](#)

English

3D PDF

English

By downloading the CAD file I accept and agree to the [Terms and Conditions](#) of use.

Datasheets & Catalog Pages

Timer Interconnection System

English

Instruction Sheets

Instruction Sheet (non U.S.)

French