

963143-1 ✓ ACTIVE

AMP | MQS

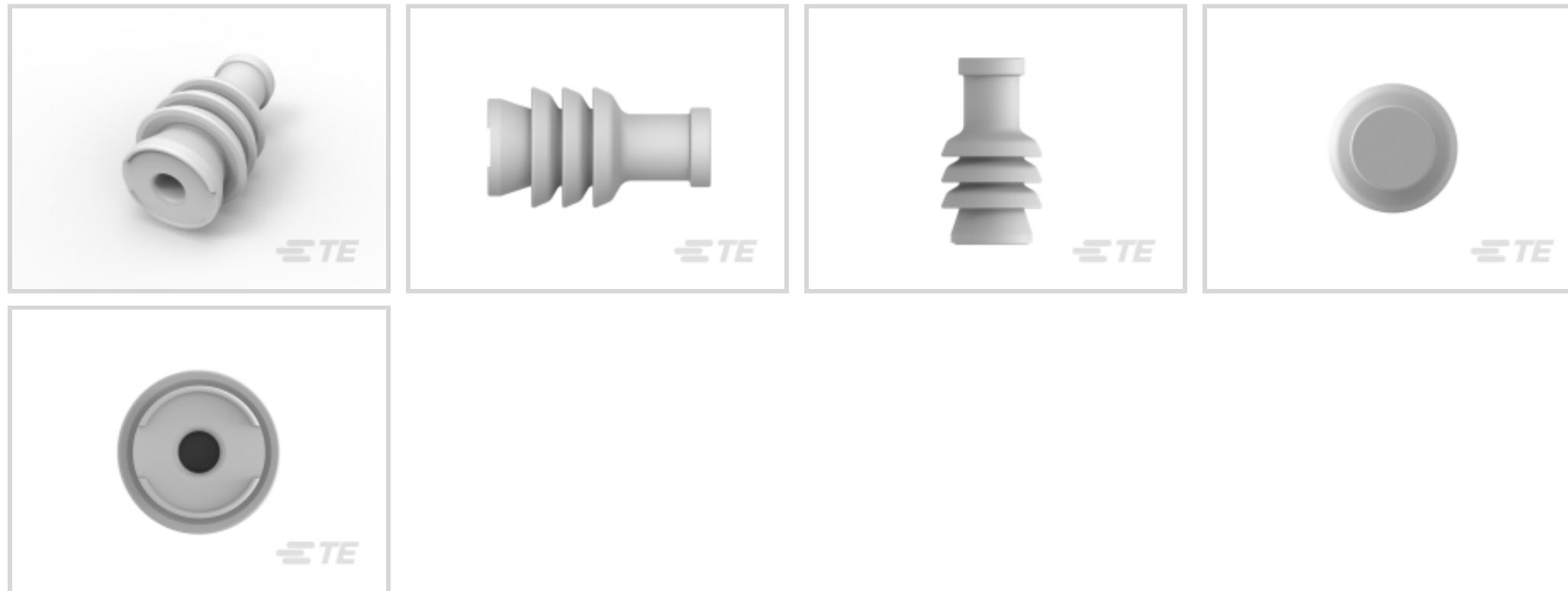
TE Internal #: 963143-1

Cavity Blanking Plug, Silicone, White, 4 mm [.157 in] Cavity Diameter, .185 in [4.7 mm] Insulation Diameter, MQS

[View on TE.com >](#)



Connectors > Connector Accessories > Connector Seals & Cavity Plugs



Connector Seal & Plug Type: **Cavity Blanking Plug**

Primary Product Material: **Silicone**

Primary Product Color: **White**

Cavity Diameter: **4 mm [.157 in]**

Compatible Insulation Diameter Range: **4.7 mm [.185 in]**

Features

Product Type Features

Connector Seal & Plug Type	Cavity Blanking Plug
----------------------------	----------------------

Body Features

Primary Product Material	Silicone
Primary Product Color	White

Dimensions

Cavity Diameter	4 mm [.157 in]
Compatible Insulation Diameter Range	4.7 mm [.185 in]

Usage Conditions

Operating Temperature (Max)	65 °C, 70 °C, 75 °C, 80 °C, 85 °C, 90 °C, 100 °C, 105 °C, 110 °C, 120 °C, 125 °C, 130 °C [149 °F][158 °F][167 °F][176 °F][185 °F][194 °F][212 °F][221 °F][230 °F][248 °F][257 °F][266 °F]
Operating Temperature Range	-40 – 130 °C [-40 – 266 °F]

Industry Standards



UL Flammability Rating	None
------------------------	------

Other

Resistance to Hydrocarbons	Poor
----------------------------	------

Shore A Hardness	60
------------------	----

Contains Lubricant	No
--------------------	----

Product Compliance

[For compliance documentation, visit the product page on TE.com>](#)

EU RoHS Directive 2011/65/EU	Compliant
------------------------------	-----------

EU ELV Directive 2000/53/EC	Compliant
-----------------------------	-----------

China RoHS 2 Directive MIIT Order No 32, 2016	No Restricted Materials Above Threshold
---	---

EU REACH Regulation (EC) No. 1907/2006	Current ECHA Candidate List: JUNE 2023 (235) Candidate List Declared Against: JUNE 2023 (235) Does not contain REACH SVHC
--	---

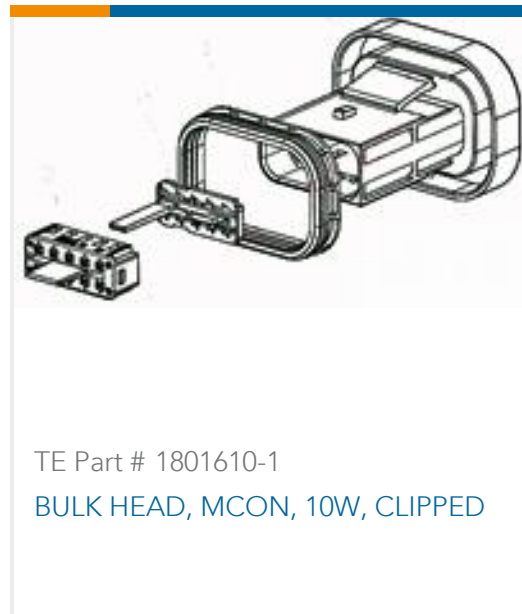
Halogen Content	Low Halogen - Br, Cl, F, I < 900 ppm per homogenous material. Also BFR/CFR/PVC Free
-----------------	---

Solder Process Capability	Not applicable for solder process capability
---------------------------	--

Product Compliance Disclaimer

This information is provided based on reasonable inquiry of our suppliers and represents our current actual knowledge based on the information they provided. This information is subject to change. The part numbers that TE has identified as EU RoHS compliant have a maximum concentration of 0.1% by weight in homogenous materials for lead, hexavalent chromium, mercury, PBB, PBDE, DBP, BBP, DEHP, DIBP, and 0.01% for cadmium, or qualify for an exemption to these limits as defined in the Annexes of Directive 2011/65/EU (RoHS2). Finished electrical and electronic equipment products will be CE marked as required by Directive 2011/65/EU. Components may not be CE marked. Additionally, the part numbers that TE has identified as EU ELV compliant have a maximum concentration of 0.1% by weight in homogenous materials for lead, hexavalent chromium, and mercury, and 0.01% for cadmium, or qualify for an exemption to these limits as defined in the Annexes of Directive 2000/53/EC (ELV). Regarding the REACH Regulation, the information TE provides on SVHC in articles for this part number is based on the latest European Chemicals Agency (ECHA) 'Guidance on requirements for substances in articles' posted at this URL: <https://echa.europa.eu/guidance-documents/guidance-on-reach>

Compatible Parts



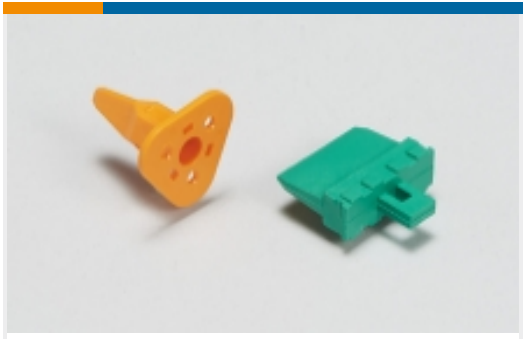
Also in the Series | **MQS**



Automotive Connector Caps & Covers (138)



Automotive Connector EMC Shielding (3)



Automotive Connector Locks & Position Assurance(30)



Automotive Housings(507)



Automotive Terminals(104)



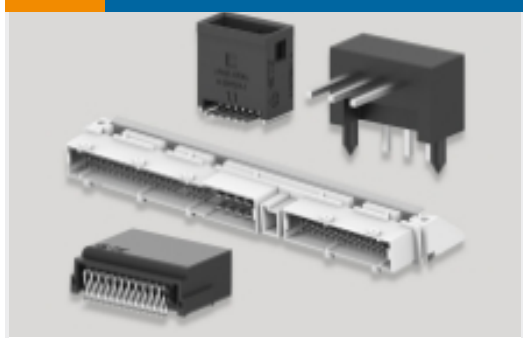
Connector Seals & Cavity Plugs(27)



Insertion & Extraction Tools(42)



Other Automotive Connector Accessories(14)



PCB Headers & Receptacles(213)

Customers Also Bought



TE Part #284875-4
20 POS FEMALE CONN ASSY



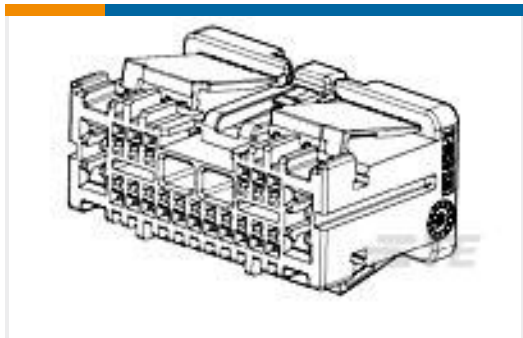
TE Part #539515-000
ES2000-NO.3-B8-0-65MM



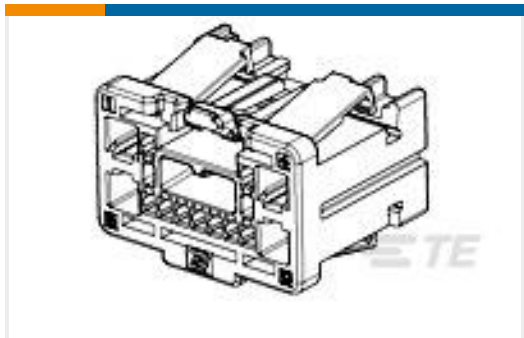
TE Part #1743699-2
CLIP HSG FOR 2.8MM SLD CAP



TE Part #1801600-2
RECEPTACLE HOUSING, MCON, 10 W, SEALED



TE Part #1924126-1
21p Hybrid - 1pc Unsealed Plug, Key A



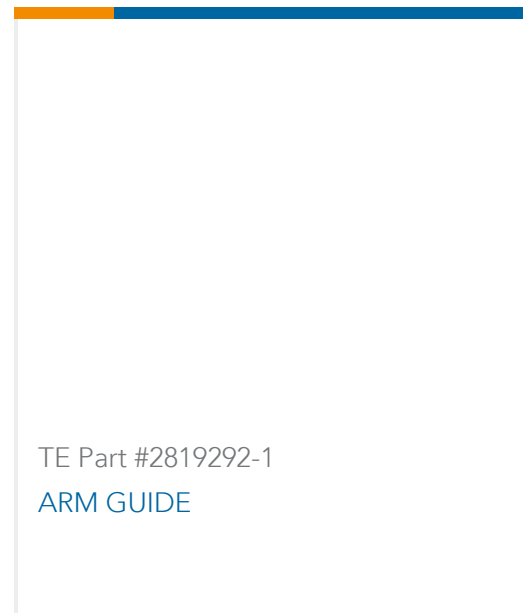
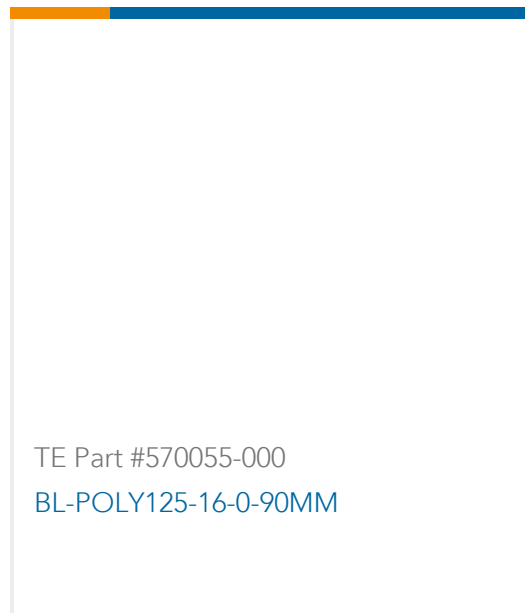
TE Part #1924667-1
13p Hybrid - 1pc Unsealed Plug, Key A



TE Part #2272010-2
Plug Assembly, 16P GET, w/ CPA



TE Part #2819293-1
PIVOTED ARM ASSEMBLY



Documents

Product Drawings

[MQS BLINDSTOPFEN](#)

English

CAD Files

[3D PDF](#)

3D

[Customer View Model](#)

[ENG_CVM_CVM_963143-1_E.2d_dxf.zip](#)

English

[Customer View Model](#)

[ENG_CVM_CVM_963143-1_E.3d_igs.zip](#)

English

[Customer View Model](#)

[ENG_CVM_CVM_963143-1_E.3d_stp.zip](#)

English

By downloading the CAD file I accept and agree to the [Terms and Conditions](#) of use.

Datasheets & Catalog Pages

[MCON Interconnection System](#)

English

Product Specifications

[Application Specification](#)

English

[Application Specification](#)

English