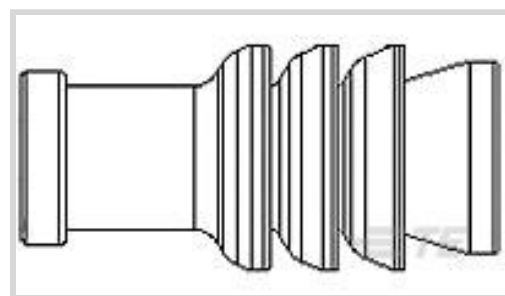




Connectors > Connector Accessories > Connector Seals & Cavity Plugs



Connector Seal & Plug Type: **Single Wire Seal (SWS)**

Primary Product Material: **Silicone**

Primary Product Color: **Black**

Cavity Diameter: **4 mm [.157 in]**

Compatible Insulation Diameter Range: **2.4 mm [.094 in]**

Features

Product Type Features

Connector Seal & Plug Type	Single Wire Seal (SWS)
----------------------------	------------------------

Body Features

Primary Product Material	Silicone
Primary Product Color	Black

Dimensions

Cavity Diameter	4 mm [.157 in]
Compatible Insulation Diameter Range	2.4 mm [.094 in]

Usage Conditions

Operating Temperature (Max)	65 °C, 70 °C, 75 °C, 80 °C, 85 °C, 90 °C, 100 °C, 105 °C, 110 °C, 120 °C, 125 °C, 130 °C [149 °F][158 °F][167 °F][176 °F][185 °F][194 °F][212 °F][221 °F][230 °F][248 °F][257 °F][266 °F]
Operating Temperature Range	-40 – 130 °C[-40 – 266 °F]

Industry Standards

UL Flammability Rating	None
------------------------	------

Other

Resistance to Hydrocarbons	Poor
Shore A Hardness	50
Contains Lubricant	Yes

Product Compliance

[For compliance documentation, visit the product page on TE.com>](#)

EU RoHS Directive 2011/65/EU	Compliant
EU ELV Directive 2000/53/EC	Compliant
China RoHS 2 Directive MIIT Order No 32, 2016	No Restricted Materials Above Threshold
EU REACH Regulation (EC) No. 1907/2006	Current ECHA Candidate List: JUNE 2023 (235) Candidate List Declared Against: JUNE 2023 (235) Does not contain REACH SVHC
Halogen Content	Low Halogen - Br, Cl, F, I < 900 ppm per homogenous material. Also BFR/CFR/PVC Free
Solder Process Capability	Not applicable for solder process capability

Product Compliance Disclaimer

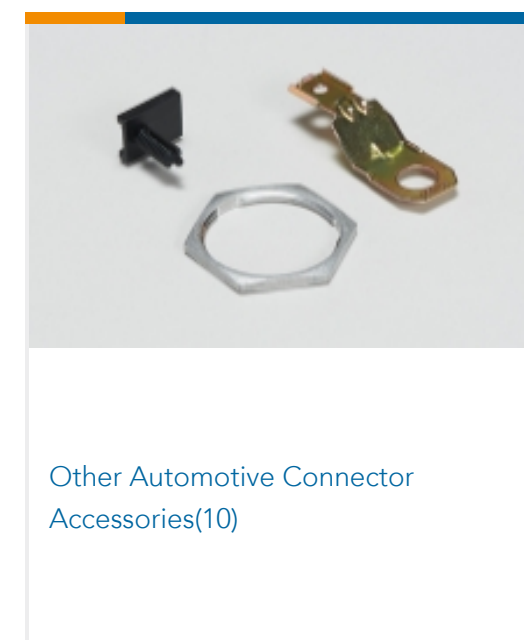
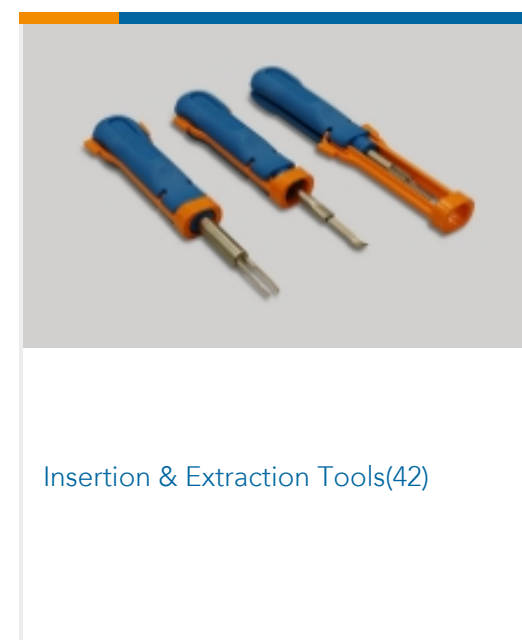
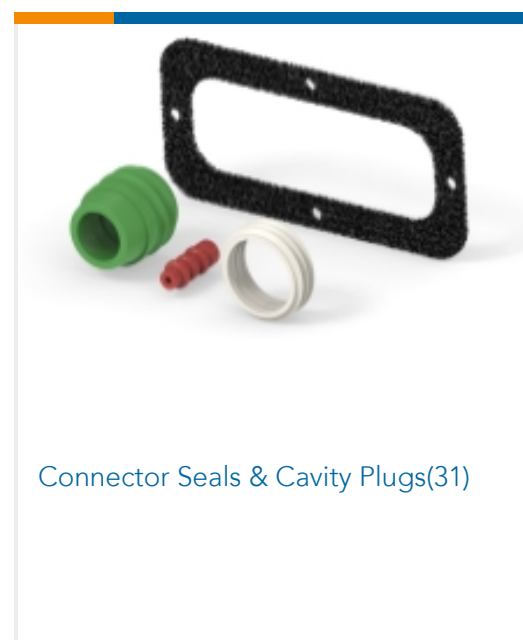
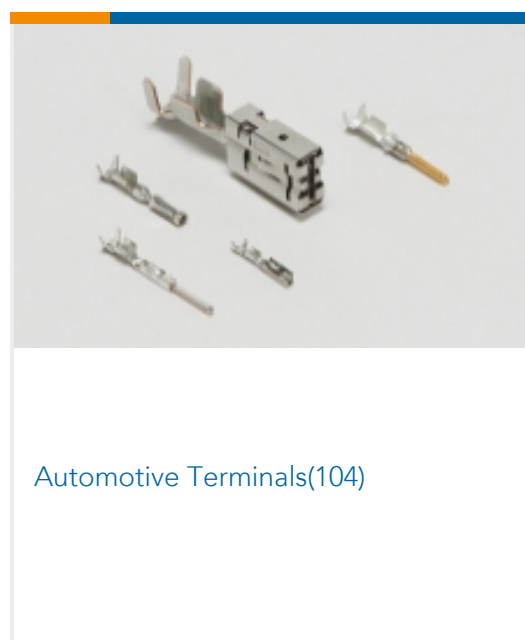
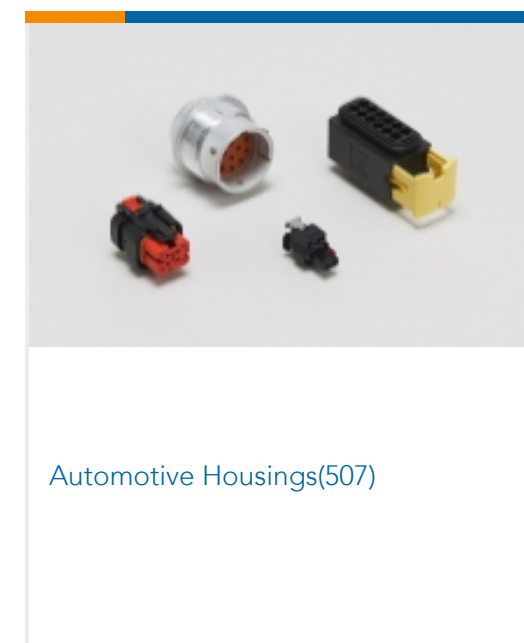
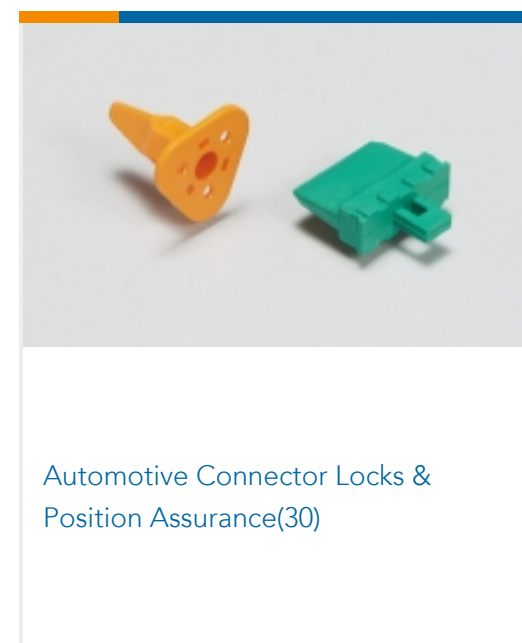
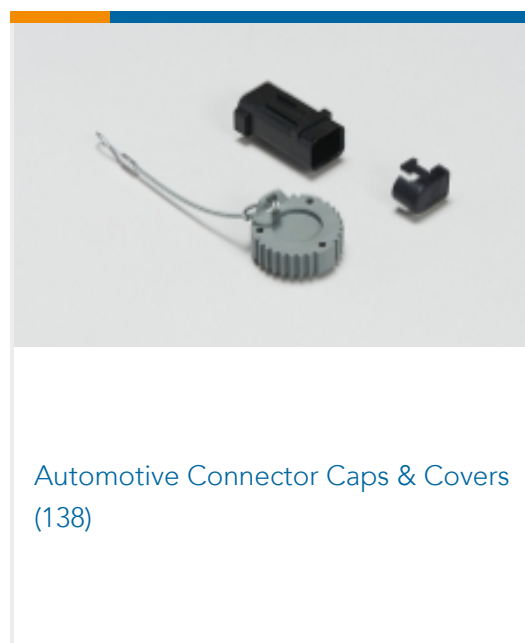
This information is provided based on reasonable inquiry of our suppliers and represents our current actual knowledge based on the information they provided. This information is subject to change. The part numbers that TE has identified as EU RoHS compliant have a maximum concentration of 0.1% by weight in homogenous materials for lead, hexavalent chromium, mercury, PBB, PBDE, DBP, BBP, DEHP, DIBP, and 0.01% for cadmium, or qualify for an exemption to these limits as defined in the Annexes of Directive 2011/65/EU (RoHS2). Finished electrical and electronic equipment products will be CE marked as required by Directive 2011/65/EU. Components may not be CE marked. Additionally, the part numbers that TE has identified as EU ELV compliant have a maximum concentration of 0.1% by weight in homogenous materials for lead, hexavalent chromium, and mercury, and 0.01% for cadmium, or qualify for an exemption to these limits as defined in the Annexes of Directive 2000/53/EC (ELV). Regarding the REACH Regulation, the information TE provides on SVHC in articles for this part number is based on the latest European Chemicals Agency (ECHA) 'Guidance on requirements for substances in articles' posted at this URL: <https://echa.europa.eu/guidance-documents/guidance-on-reach>

Compatible Parts

 <p>TE Part # CAT-M8793-CH8172 MQS, CONNECTOR HOUSING</p>	 <p>TE Part # CAT-M4595-T273 MCON Receptacle and Tab</p>	 <p>TE Part # CAT-M8793-T273 MQS, RECEPTACLE AND TAB</p>	 <p>TE Part # 2297911-1 12 WAY IN-LINE TAB PLUG ASSY</p>
--	--	---	---



Also in the Series | **MQS**





PCB Headers & Receptacles(213)

Customers Also Bought



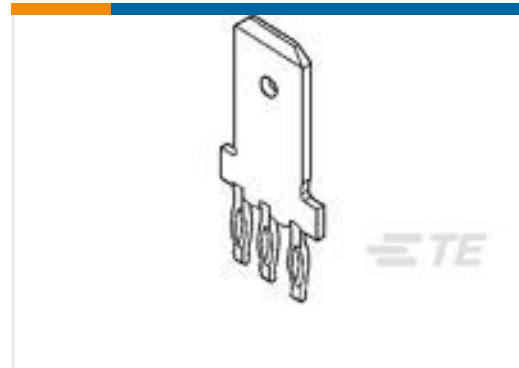
TE Part #1011-056-0305
SEAL RET, 3P, GRY, DTM



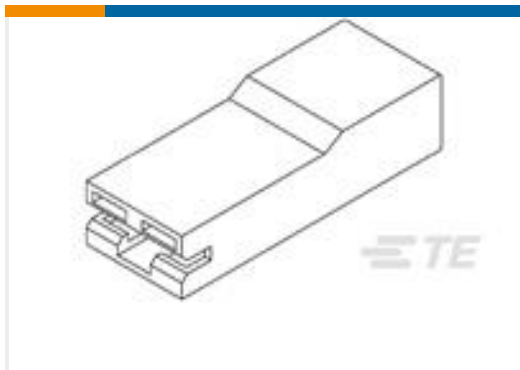
TE Part #2-2109441-3
MCP 2.8 8P PLUG ASSY B-GRY/C



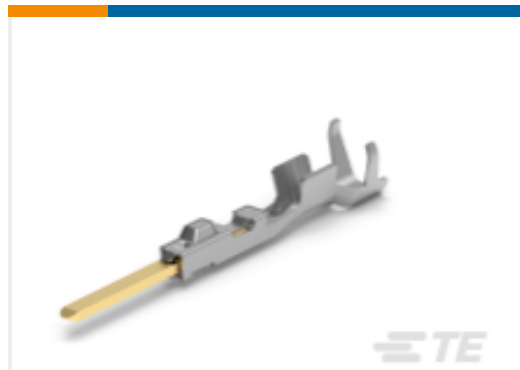
TE Part #539515-000
ES2000-NO.3-B8-0-65MM



TE Part #216842-4
250 FASTON,TAB,PCB,SPPB



TE Part #1-521120-3
HSG RECPT POSILOK MK III 250 V0



TE Part #2177610-1
TAB1.2X0.6,TERMINAL,SWS,CB



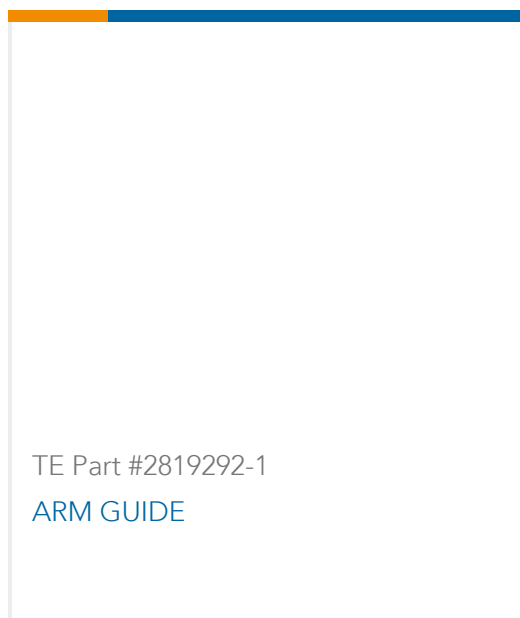
TE Part #2324808-2
2POS,MCON 1.2,REC HSG ASSY,SLD, COD B



TE Part #776665-1
Wire Cover, V Type, 49 Position



TE Part #2819293-1
PIVOTED ARM ASSEMBLY



TE Part #2819292-1
ARM GUIDE

Documents

Product Drawings

MQS SINGLE-WIRE SEAL FOR 4MM

English

CAD Files

3D PDF

3D

Customer View Model

ENG_CVM_CVM_963142-1_C.2d_dxf.zip



English

Customer View Model

[ENG_CVM_CVM_963142-1_C.3d_igs.zip](#)

English

Customer View Model

[ENG_CVM_CVM_963142-1_C.3d_stp.zip](#)

English

By downloading the CAD file I accept and agree to the [Terms and Conditions](#) of use.

Product Specifications

[Application Specification](#)

English