



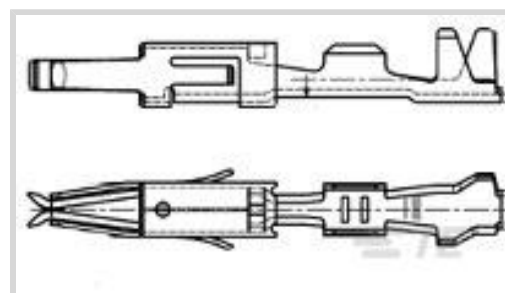
AMP | Micro Timer II

TE Internal #: 962942-1

Automotive Terminals, Receptacle, Mating Tab Width 1.6 mm [.063 in], Tab Thickness .6 mm [.024 in], 24 – 20 AWG Wire Size, Micro Timer II

[View on TE.com >](#)

Terminals & Splices > Automotive Terminals > TIMER, RECEPTACLE AND TAB



Terminal Type: **Receptacle**

Mating Tab Width: **1.6 mm [.063 in]**

Mating Tab Thickness: **.6 mm [.024 in]**

Terminal Transmits: **0 – 24 A (Low Power)**

Wire Size: **24 – 20 AWG**

[All TIMER, RECEPTACLE AND TAB \(348\)](#)

Features

Product Type Features

Sealable	No
Primary Locking Feature	Locking Lance

Contact Features

Contact Size	1.6mm
Contact Fabrication	Stamped & Formed
Wire Contact Termination Area Plating Material	Tin
Typical Current Rating	10 A
Crimp Type	F-Crimp
Terminal Type	Receptacle
Mating Tab Width	1.6 mm[.063 in]
Mating Tab Thickness	.6 mm[.024 in]
Interface Plating	Tin (Sn)

Termination Features

Termination Method to Wire & Cable	Crimp
Product Terminates To	Wire

Dimensions

Compatible Insulation Diameter Range	1.15 – 1.6 mm[.045 – .063 in]
--------------------------------------	-------------------------------



Wire Size	.2 – .5 mm ²
Wire Size Search	20 AWG, 21 AWG, 22 AWG, 23 AWG, 24 AWG
Tab Length	19 mm [.75 in]

Usage Conditions

Insulation Option	Uninsulated
Operating Temperature (Max)	120 °C [248 °F]
Operating Temperature Range	-40 – 120 °C [-40 – 248 °F]

Operation/Application

Compatible With Wire Base Material	Copper
------------------------------------	--------

Industry Standards

Agency/Standard	IEC 664/664A (DIN VDE 0110)
-----------------	-----------------------------

Packaging Features

Packaging Quantity	7000
Packaging Method	Reel

Other

Terminal Transmits	0 – 24 A (Low Power)
--------------------	----------------------

Product Compliance

[For compliance documentation, visit the product page on TE.com>](#)

EU RoHS Directive 2011/65/EU	Compliant
EU ELV Directive 2000/53/EC	Compliant
China RoHS 2 Directive MIIT Order No 32, 2016	No Restricted Materials Above Threshold
EU REACH Regulation (EC) No. 1907/2006	Current ECHA Candidate List: JUNE 2023 (235) Candidate List Declared Against: JUNE 2023 (235) Does not contain REACH SVHC
Halogen Content	Low Halogen - Br, Cl, F, I < 900 ppm per homogenous material. Also BFR/CFR/PVC Free
Solder Process Capability	Not applicable for solder process capability

Product Compliance Disclaimer

This information is provided based on reasonable inquiry of our suppliers and represents our current actual knowledge based on the information they provided. This information is subject to change. The part numbers that TE has identified as EU RoHS compliant have a maximum concentration of 0.1% by weight in homogenous materials for lead, hexavalent chromium, mercury, PBB, PBDE, DBP, BBP, DEHP, DIBP, and 0.01% for cadmium, or qualify for an exemption to these limits as defined in the Annexes of Directive 2011/65/EU (RoHS2). Finished electrical and electronic equipment products will be CE marked as required by Directive 2011/65/EU. Components may not be CE marked. Additionally, the part numbers that TE has identified as EU ELV compliant have a maximum concentration of 0.1% by weight in homogenous materials for lead, hexavalent chromium, and mercury, and 0.01% for cadmium, or qualify for an exemption to these limits as defined in the Annexes of Directive 2000/53/EC (ELV). Regarding the REACH Regulation, the information TE provides on SVHC in articles for this part number is based on the latest European Chemicals Agency (ECHA) 'Guidance on requirements for substances in articles' posted at this URL: <https://echa.europa.eu/guidance-documents/guidance-on-reach>

Compatible Parts



TE Part # 539960-1
AUSZ-WKZ,MICRO TIM.



TE Part # 2305570-1
Strip Terminal Cutter-Side Feed-No Crimp



TE Part # CAT-T4827-CH8172
Timer Connector Housing



TE Part # 2151767-1
OCEAN_2.0_APPLICATOR-S-062F0900




TE Part # 2151767-2
OCEAN_2.0_APPLICATOR-S-062F0900



TE Part # 7-2151767-1
OCEAN_2.0_APPLICATOR-S-062F0900



TE Part # 7-2151767-2
OCEAN_2.0_APPLICATOR-S-062F0900



TE Part # 7-2151767-7
OCEAN_2.0_SPARE_PART_KIT-062F0900



TE Part # 2-2151767-2
OCEAN_2.0_APPLICATOR-S-062F0900



TE Part # 169400
CERTI-LOK FRAME W/O DIES



TE Part # 1379110-1
46W ASSY RECEPTACLE HSG



TE Part # 1379112-1
32W ASSY RECEPTACLE HSG

Also in the Series | Micro Timer II



Automotive Connector Caps & Covers (2)



Automotive Connector Locks & Position Assurance (1)



Automotive Housings (34)



Automotive Terminals (30)



Connector Seals & Cavity Plugs (1)

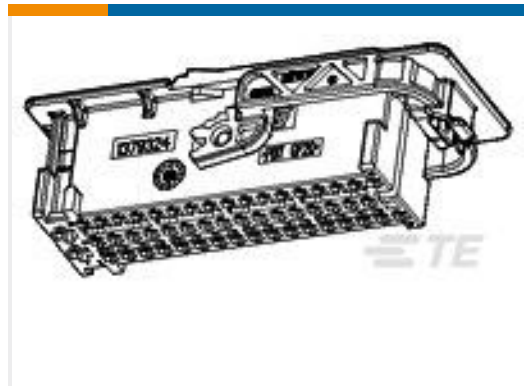


Insertion & Extraction Tools (4)

Customers Also Bought



TE Part #1745000-4
8POS MQS REC



TE Part #1379324-1
52W HYB REC HSG ASSY BLAC



TE Part #1379662-2
12W PLUG HSG ASSY GRAY



TE Part #1-967627-6
FLACHSTE-GEH2,8 12P



TE Part #1801619-1
RELAY 70A HOLDER



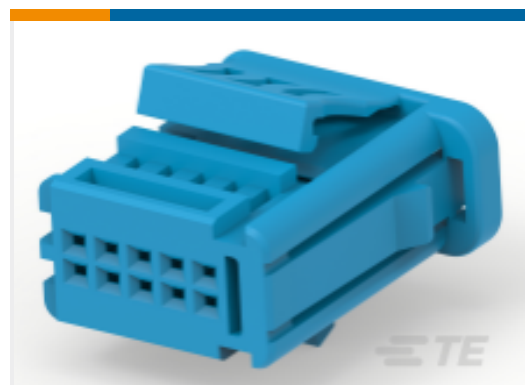
TE Part #1897797-3
TAB DIELECTRIC-RF STRIPLINE



TE Part #2-1897798-3
TAB SHIELD CONT RF STRIPLINE EMC



TE Part #2005000-3
REC DIELECTRIC-RF STRIPLINE



TE Part #2208339-3
10POS,NANOMQS,REC HSG,COD C



TE Part #626064-5
ISOLADOR

Documents



Product Drawings

MT2 REC 1.6 Contact SRC Sn

English

CAD Files

Customer View Model

[ENG_CVM_962942-1_J1.3d_igs.zip](#)

English

Customer View Model

[ENG_CVM_962942-1_J1.3d_stp.zip](#)

English

Customer View Model

[ENG_CVM_962942-1_J1.2d_dxf.zip](#)

English

3D PDF

3D

By downloading the CAD file I accept and agree to the [Terms and Conditions](#) of use.

Datasheets & Catalog Pages

Timer Interconnection System

English

Product Specifications

Application Specification

German

Application Specification

English

Application Specification

English