

962371-1 ✓ ACTIVE

AMP | Timer Connector System

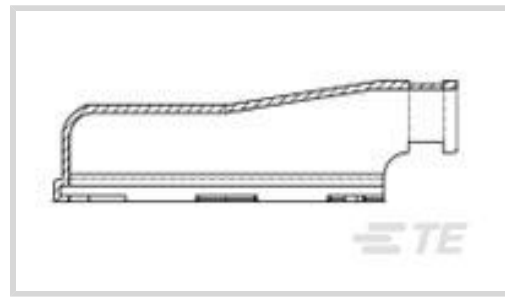
TE Internal #: 962371-1

Automotive Connector Caps & Covers, Cover - Cable Exit, Black,
PBT, Timer Connector System

[View on TE.com >](#)



Connectors > Automotive Connectors > Automotive Connector Accessories > Automotive Connector Caps & Covers



Protection & Strain Relief Accessory Type: **Cover - Cable Exit**

Strain Relief: **With**

Primary Product Color: **Black**

Primary Product Material: **PBT**

Features

Product Type Features

Protection & Strain Relief Accessory Type	Cover - Cable Exit
---	--------------------

Body Features

Primary Product Color	Black
Primary Product Material	PBT

Mechanical Attachment

Strain Relief	With
---------------	------

Dimensions

Compatible Cable Bundle Diameter Range	12.7 mm[.5 in]
--	----------------

Industry Standards

UL Flammability Rating	UL 94HB
------------------------	---------

Packaging Features

Packaging Method	Carton
------------------	--------

Other

Serviceable	Yes
-------------	-----

Product Compliance

[For compliance documentation, visit the product page on TE.com>](#)

EU RoHS Directive 2011/65/EU	Compliant
EU ELV Directive 2000/53/EC	Compliant



China RoHS 2 Directive MIIT Order No 32, 2016	No Restricted Materials Above Threshold
EU REACH Regulation (EC) No. 1907/2006	Current ECHA Candidate List: JUNE 2023 (235) Candidate List Declared Against: JUNE 2022 (224) Does not contain REACH SVHC
Halogen Content	Low Halogen - Br, Cl, F, I < 900 ppm per homogenous material. Also BFR/CFR/PVC Free
Solder Process Capability	Not applicable for solder process capability

Product Compliance Disclaimer

This information is provided based on reasonable inquiry of our suppliers and represents our current actual knowledge based on the information they provided. This information is subject to change. The part numbers that TE has identified as EU RoHS compliant have a maximum concentration of 0.1% by weight in homogenous materials for lead, hexavalent chromium, mercury, PBB, PBDE, DBP, BBP, DEHP, DIBP, and 0.01% for cadmium, or qualify for an exemption to these limits as defined in the Annexes of Directive 2011/65/EU (RoHS2). Finished electrical and electronic equipment products will be CE marked as required by Directive 2011/65/EU. Components may not be CE marked. Additionally, the part numbers that TE has identified as EU ELV compliant have a maximum concentration of 0.1% by weight in homogenous materials for lead, hexavalent chromium, and mercury, and 0.01% for cadmium, or qualify for an exemption to these limits as defined in the Annexes of Directive 2000/53/EC (ELV). Regarding the REACH Regulation, the information TE provides on SVHC in articles for this part number is based on the latest European Chemicals Agency (ECHA) 'Guidance on requirements for substances in articles' posted at this URL: <https://echa.europa.eu/guidance-documents/guidance-on-reach>

Compatible Parts

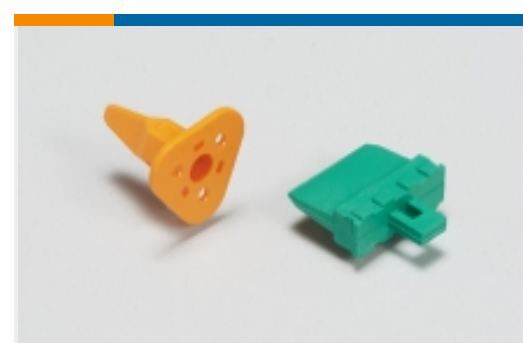


TE Part # CAT-T4827-CH8172
Timer Connector Housing

Also in the Series | Timer Connector System



Automotive Connector Caps & Covers (12)



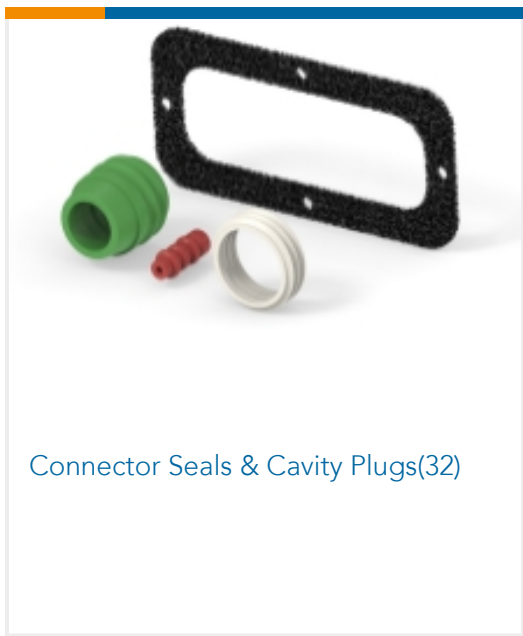
Automotive Connector Locks & Position Assurance(17)



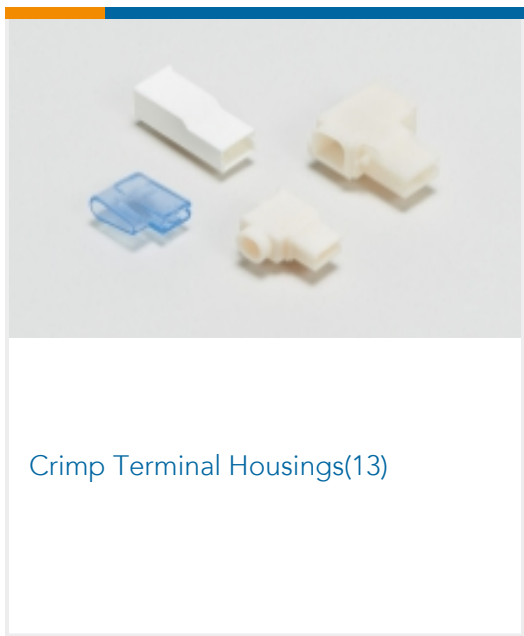
Automotive Housings(233)



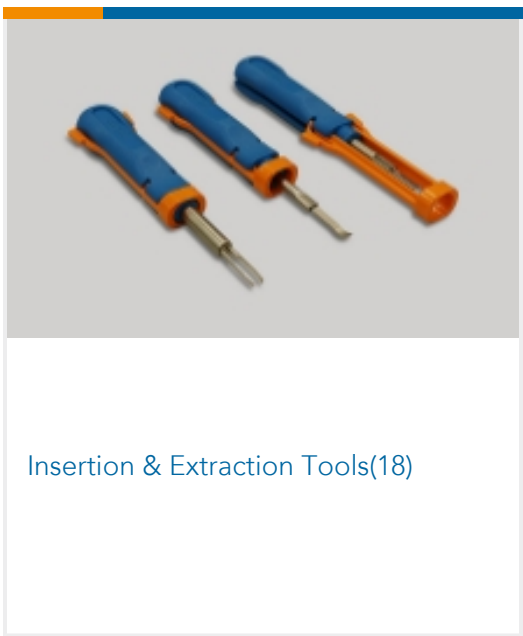
Automotive Terminals(145)



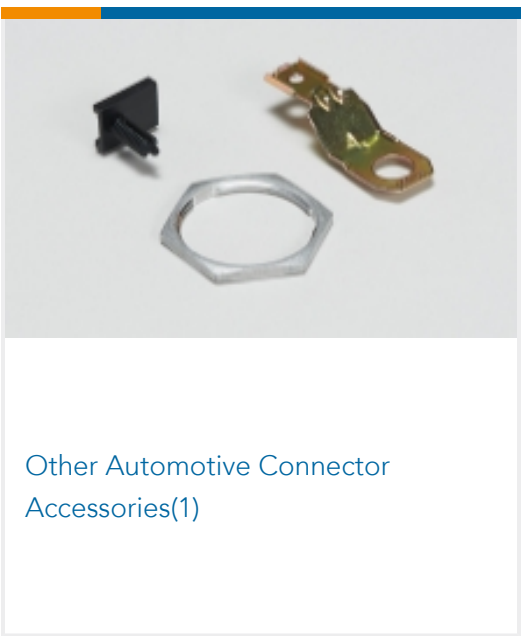
Connector Seals & Cavity Plugs(32)



Crimp Terminal Housings(13)



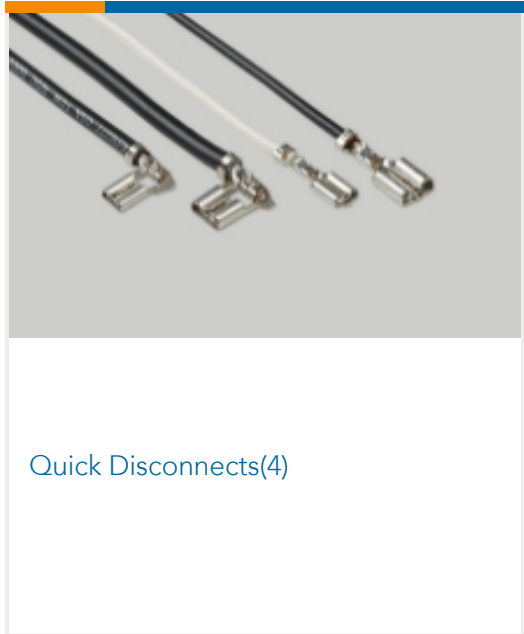
Insertion & Extraction Tools(18)



Other Automotive Connector Accessories(1)



PCB Headers & Receptacles(82)



Quick Disconnects(4)

Customers Also Bought



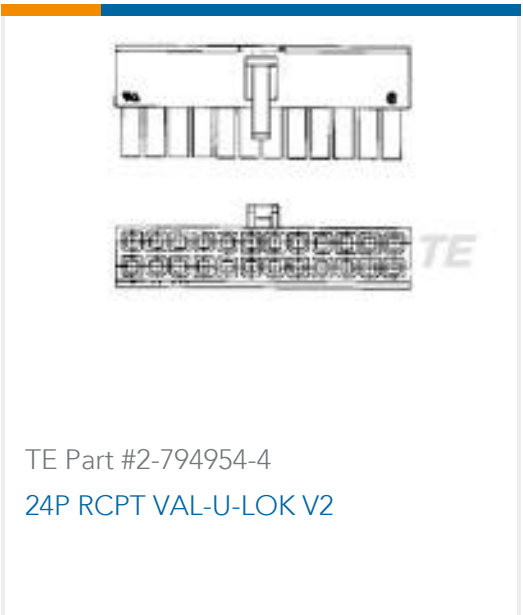
TE Part #DT04-3P-LE12
REC, 3P, BLK, N, XCAP, FLANGE



TE Part #776428-2
AS 16, 2P CAP ASSY, KEY 2



TE Part #1-1418463-9
2POS MQS REC SEALED COD A



TE Part #2-794954-4
24P RCPT VAL-U-LOK V2



TE Part #735410
ELECTRO TAP ASSY



TE Part #1-480350-0
01P CMNL CAP HSG F/H NATL



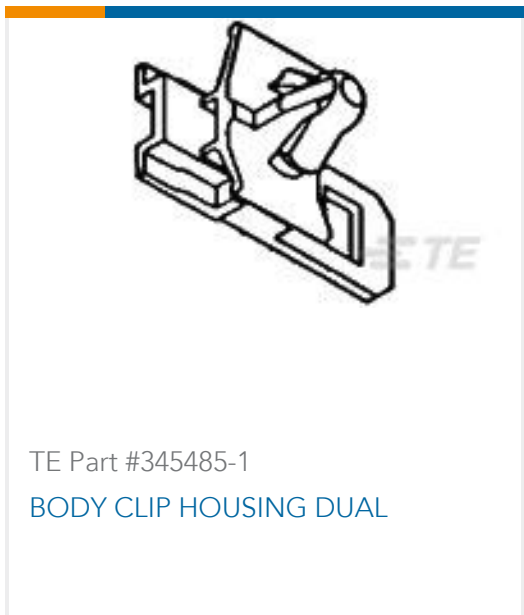
TE Part #1-1670917-1
3POS, MCON 1.2 LL REC SEALED



TE Part #1473244-3
MQS/JPT 81POS PLUG ASSY



TE Part #324051
TERMINAL,T-N R 4 5/16



TE Part #345485-1
BODY CLIP HOUSING DUAL

Documents



Product Drawings

[ABDECKKAPPE F42/29P](#)

English

CAD Files

[3D PDF](#)

English

Customer View Model

[ENG_CVM_962371-1_B1.2d_dxf.zip](#)

English

Customer View Model

[ENG_CVM_962371-1_B1.3d_igs.zip](#)

English

Customer View Model

[ENG_CVM_962371-1_B1.3d_stp.zip](#)

English

By downloading the CAD file I accept and agree to the [Terms and Conditions](#) of use.