



AMP

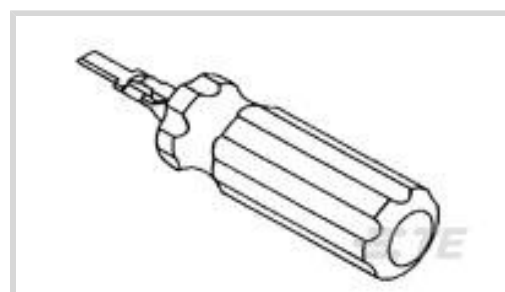
| Econoseal, Multilock Connector System, Sealed Sensor Connector SSC System

TE Internal #: 937313-1

Insertion & Extraction Tools, Contact Extraction, Contact-to-Housing, Econoseal

[View on TE.com >](#)

Application Tooling > Insertion & Extraction Tools



Insertion & Extraction Tool Type: **Contact Extraction**

Insertion & Extraction Tool Application: **Contact-to-Housing**

Features

Product Type Features

Insertion & Extraction Tool Type	Contact Extraction
Insertion & Extraction Tool Application	Contact-to-Housing

Product Compliance

[For compliance documentation, visit the product page on TE.com>](#)

EU RoHS Directive 2011/65/EU	Compliant
EU ELV Directive 2000/53/EC	Out of Scope
China RoHS 2 Directive MIIT Order No 32, 2016	No Restricted Materials Above Threshold
EU REACH Regulation (EC) No. 1907/2006	Current ECHA Candidate List: JUNE 2023 (235) Candidate List Declared Against: JAN 2021 (211) Does not contain REACH SVHC
Halogen Content	Low Halogen - Br, Cl, F, I < 900 ppm per homogenous material. Also BFR/CFR/PVC Free
Solder Process Capability	Not applicable for solder process capability

Product Compliance Disclaimer

This information is provided based on reasonable inquiry of our suppliers and represents our current actual knowledge based on the information they provided. This information is subject to change. The part numbers that TE has identified as EU RoHS compliant have a maximum concentration of 0.1% by weight in homogenous materials for lead, hexavalent chromium, mercury, PBB, PBDE, DBP, BBP, DEHP, DIBP, and 0.01% for cadmium, or qualify for an exemption to these limits as defined in the Annexes of Directive 2011/65/EU (RoHS2). Finished electrical and electronic equipment products will be CE marked as required by Directive 2011/65/EU. Components may not be CE marked. Additionally, the part numbers that TE has identified as EU ELV compliant have a maximum concentration of 0.1% by weight in homogenous materials for lead, hexavalent chromium, and mercury, and 0.01% for cadmium, or qualify for an exemption to these limits

as defined in the Annexes of Directive 2000/53/EC (ELV). Regarding the REACH Regulation, the information TE provides on SVHC in articles for this part number is based on the latest European Chemicals Agency (ECHA) 'Guidance on requirements for substances in articles' posted at this URL: <https://echa.europa.eu/guidance-documents/guidance-on-reach>

Compatible Parts



TE Part # CAT-EC7491-T273
Econoseal Receptacles and Tabs



TE Part # CAT-M9194-T273
MULTILOCK, RECEPTACLE AND TAB



TE Part # 184030-3
RECPT, CONTACT 070, PTPPHBZ



TE Part # 184030-1
RECPT, CONTACT 070, AUPHBZ



TE Part # 184289-3
RECPT, CONTACT 070, PTPPHBZ

TE Part # 1-171661-2
070 TAB CONT GOLD

TE Part # 171630-7
E-J MK-2 070 REC CONT GOLD

TE Part # 171630-8
E-J MK-2 070 REC CONT BLANK

TE Part # 171631-3
070 TAB CONT AS STAMP

TE Part # 171661-3
070 TAB CONT AS STAMP

TE Part # 171662-6
E-J MK-2 070 REC CONT AS

TE Part # 171662-7
E-J MK-2 070 REC CONT AU

TE Part # 171662-8
E-J MK-2 070 REC CONT BLANK



TE Part # 184289-1
RECPT, CONTACT 070, AUPHBZ

Also in the Series | Econoseal



Automotive Connector Caps & Covers (1)



Automotive Connector Locks & Position Assurance(25)



Automotive Housings(105)



Automotive Terminals(48)



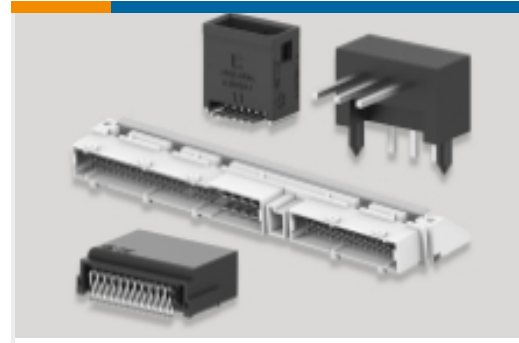
Connector Seals & Cavity Plugs(19)



Insertion & Extraction Tools(7)



Other Automotive Connector Accessories(5)



PCB Headers & Receptacles(4)



Primary Wire(1)

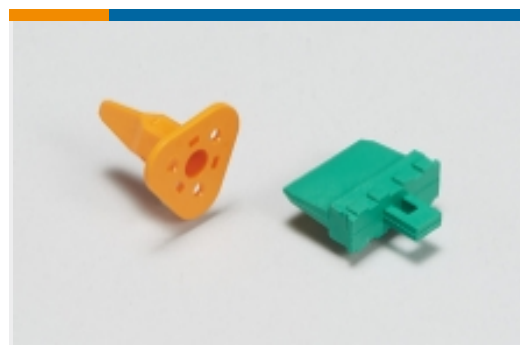
Also in the Series | Multilock Connector System



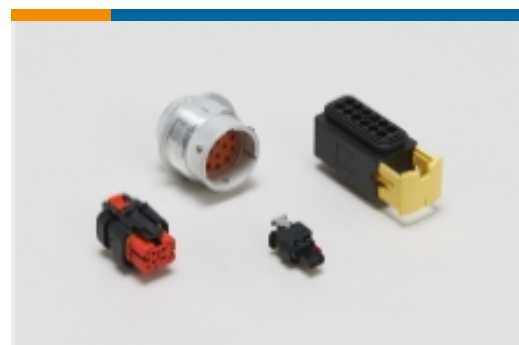
Automotive Connector Caps & Covers (17)



Automotive Connector EMC Shielding (1)



Automotive Connector Locks & Position Assurance(2)



Automotive Housings(603)



Automotive Terminals(141)



Connector Seals & Cavity Plugs(2)



Insertion & Extraction Tools(6)



Other Automotive Connector Accessories(14)

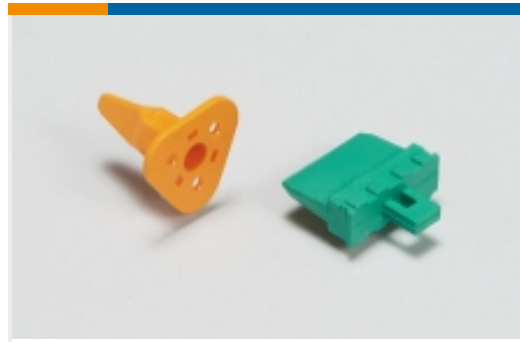


PCB Headers & Receptacles(142)

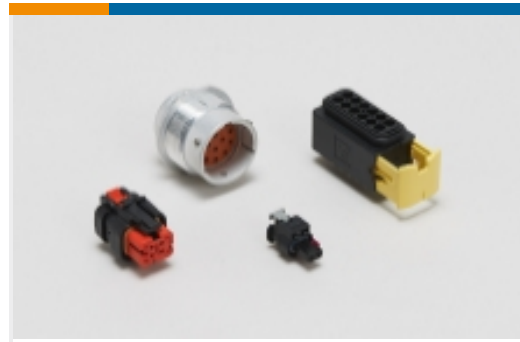
Also in the Series | Sealed Sensor Connector SSC System



Automotive Connector Caps & Covers (7)



Automotive Connector Locks & Position Assurance(6)



Automotive Housings(177)



Automotive Terminals(8)



Connector Seals & Cavity Plugs(3)



Insertion & Extraction Tools(1)



Other Automotive Connector Accessories(6)

Customers Also Bought



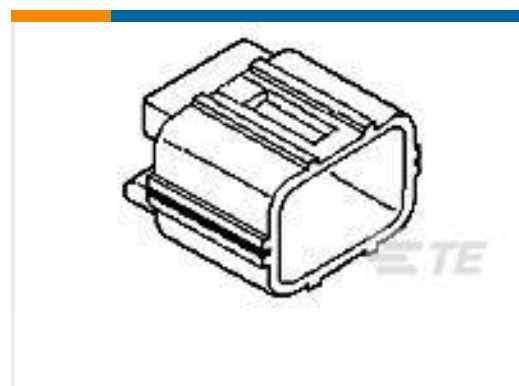
TE Part #174257-2
ECONOSEAL, CONNECTOR HOUSING



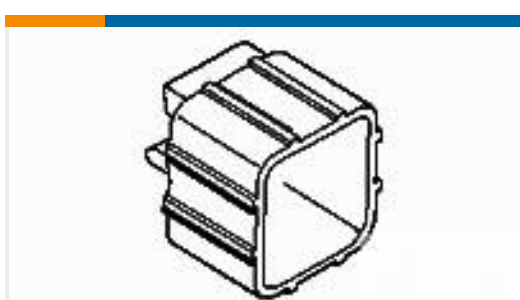
TE Part #1-1579007-8
EXTRACTION TOOL



TE Part #926901-1
UMNL Socket 16-13 AWG



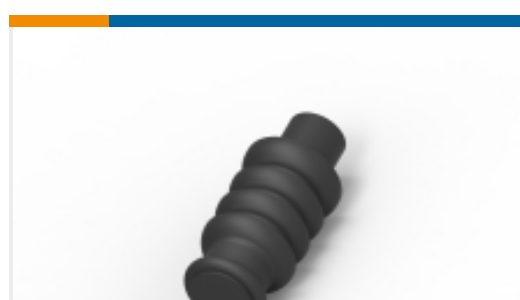
TE Part #174355-7
070 ECONOSEAL MARK-2 P/CAP 2P



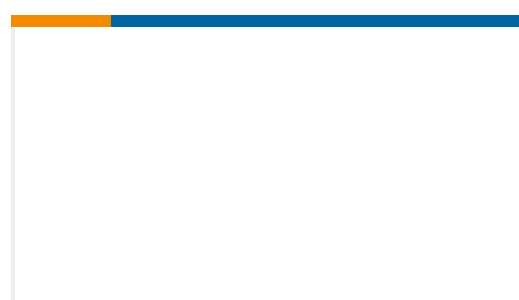
TE Part #174260-7
EOCNO-J MK-2 LOCK PLATE CAP 4P



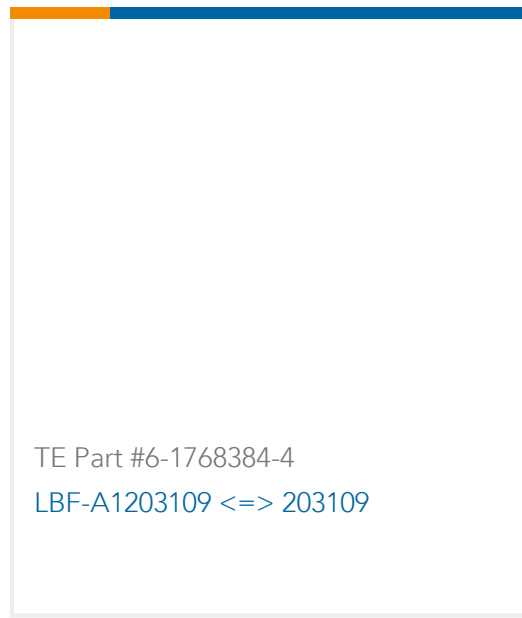
TE Part #174258-7
ECONO-J MK-2 LOCK PLATE 4P



TE Part #2822357-1
070 CAVITY PLUG



TE Part #2-1768063-5
LBF-T083400X



Documents

Product Drawings

[EXT-TOOL](#)

English

Instruction Sheets

[XREF](#)

English

[Instruction Sheet \(non U.S.\)](#)

English