

936054-1 ✓ ACTIVE

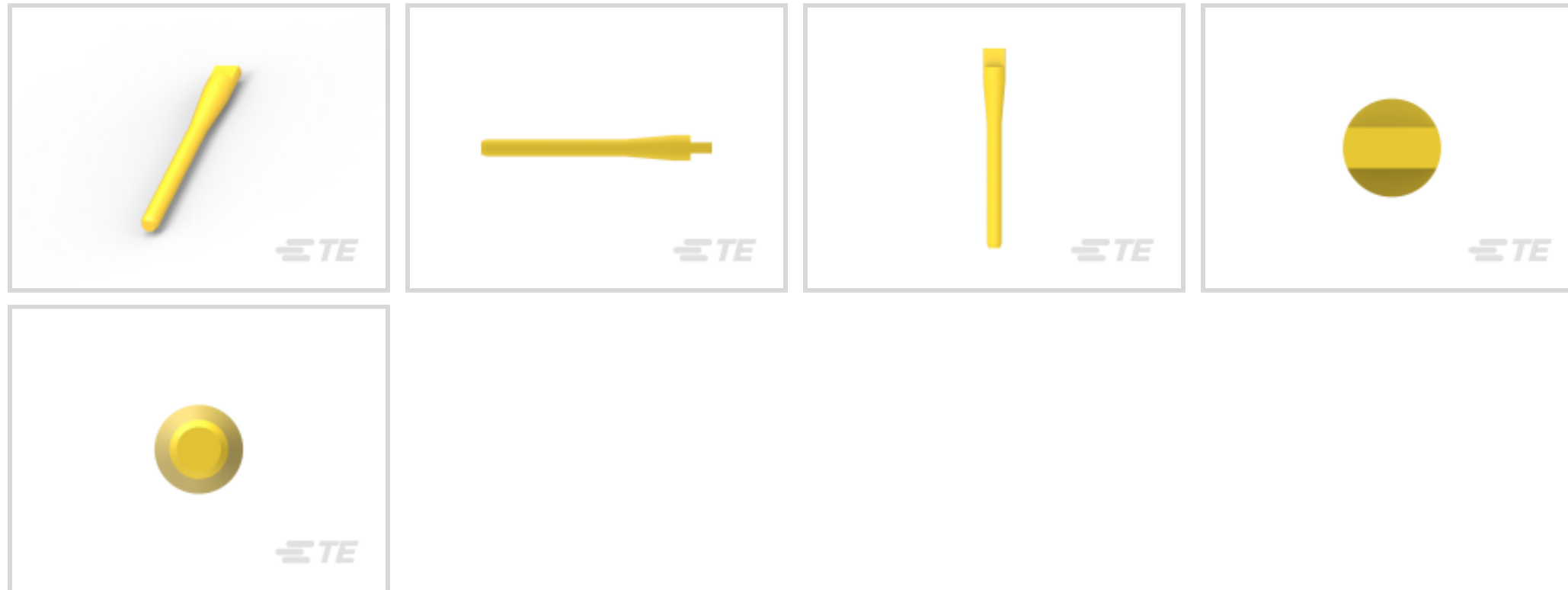
TE Internal #: 936054-1

PBT GF, Yellow, -40 – 120 °C [-40 – 248 °F] Operating Temperature

[View on TE.com >](#)



Connectors > Connector Accessories > Connector Seals & Cavity Plugs



Primary Product Material: **PBT GF**

Primary Product Color: **Yellow**

Operating Temperature (Max): **65 °C, 70 °C, 75 °C, 80 °C, 85 °C, 90 °C, 100 °C, 105 °C, 110 °C, 120 °C [149 °F, 158 °F, 167 °F, 176 °F, 185 °F, 194 °F, 212 °F, 221 °F, 230 °F, 248 °F]**

Contains Lubricant: **No**

Operating Temperature Range: **-40 – 120 °C [-40 – 248 °F]**

Features

Body Features

Primary Product Material	PBT GF
Primary Product Color	Yellow

Usage Conditions

Operating Temperature (Max)	65 °C, 70 °C, 75 °C, 80 °C, 85 °C, 90 °C, 100 °C, 105 °C, 110 °C, 120 °C[149 °F][158 °F][167 °F][176 °F][185 °F][194 °F][212 °F][221 °F][230 °F][248 °F]
Operating Temperature Range	-40 – 120 °C[-40 – 248 °F]

Packaging Features

Packaging Quantity	40000
Packaging Method	Bag

Other

Contains Lubricant	No
--------------------	----

Product Compliance

[For compliance documentation, visit the product page on TE.com>](#)

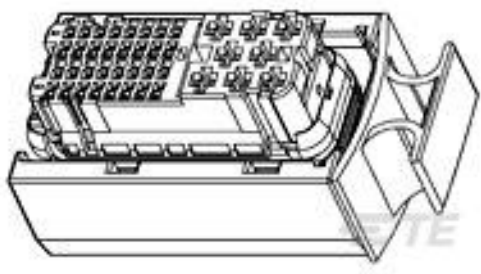


EU RoHS Directive 2011/65/EU	Compliant
EU ELV Directive 2000/53/EC	Compliant
China RoHS 2 Directive MIIT Order No 32, 2016	No Restricted Materials Above Threshold
EU REACH Regulation (EC) No. 1907/2006	Current ECHA Candidate List: JUNE 2023 (235) Candidate List Declared Against: JUNE 2023 (235) Does not contain REACH SVHC
Halogen Content	Low Halogen - Br, Cl, F, I < 900 ppm per homogenous material. Also BFR/CFR/PVC Free
Solder Process Capability	Not applicable for solder process capability

Product Compliance Disclaimer

This information is provided based on reasonable inquiry of our suppliers and represents our current actual knowledge based on the information they provided. This information is subject to change. The part numbers that TE has identified as EU RoHS compliant have a maximum concentration of 0.1% by weight in homogenous materials for lead, hexavalent chromium, mercury, PBB, PBDE, DBP, BBP, DEHP, DIBP, and 0.01% for cadmium, or qualify for an exemption to these limits as defined in the Annexes of Directive 2011/65/EU (RoHS2). Finished electrical and electronic equipment products will be CE marked as required by Directive 2011/65/EU. Components may not be CE marked. Additionally, the part numbers that TE has identified as EU ELV compliant have a maximum concentration of 0.1% by weight in homogenous materials for lead, hexavalent chromium, and mercury, and 0.01% for cadmium, or qualify for an exemption to these limits as defined in the Annexes of Directive 2000/53/EC (ELV). Regarding the REACH Regulation, the information TE provides on SVHC in articles for this part number is based on the latest European Chemicals Agency (ECHA) 'Guidance on requirements for substances in articles' posted at this URL: <https://echa.europa.eu/guidance-documents/guidance-on-reach>

Compatible Parts



TE Part # 368383-1
40P REC HSG ASSY(SIEMENS) BLK



TE Part # 1-368376-1
81P REC HSG ASSY(SIEMENS)BLK-B

Customers Also Bought



TE Part #1879455-1
Wirewound Resistor: Mineral, 2.5 Kw



TE Part #02560231-160
R30A 10KHZ +/- 60



TE Part #5-968220-1
MQS0,63 Sn rec CB unseal. 0,2-0,35



TE Part #368389-1
COVER HSG FOR 81P(SIEMENS)



Documents

Product Drawings

CAVITY PLUG(ECU 40P&81P ASSY)

English

CAD Files

3D PDF

3D

Customer View Model

[ENG_CVM_CVM_936054-1_C.2d_dxf.zip](#)

English

Customer View Model

[ENG_CVM_CVM_936054-1_C.3d_igs.zip](#)

English

Customer View Model

[ENG_CVM_CVM_936054-1_C.3d_stp.zip](#)

English

By downloading the CAD file I accept and agree to the [Terms and Conditions](#) of use.

Product Specifications

Product Specification

Japanese

[MQS CLEAN BODY PLUG ASSY 81P & 40P](#)

Japanese

[MQS CLEAN BODY PLUG ASSY 81P & 40P](#)

Japanese

Product Specification

English

Instruction Sheets

Instruction Sheet (non U.S.)

English

Instruction Sheet (non U.S.)

Japanese