

929970-1 ✓ ACTIVE

AMP | Round Connector System

TE Internal #: 929970-1

Automotive Terminals, Socket, Pin Diameter 2.5 mm [.098 in], 20 – 17 AWG Wire Size, .5 – 1 mm<sup>2</sup> Wire Size, Round Connector System

[View on TE.com >](#)



Terminals & Splices > Automotive Terminals > ROUND CONNECTOR SYSTEM, PIN AND SOCKET



Terminal Type: **Socket**

Mating Pin Diameter: 2.5 mm [.098 in]

Terminal Transmits: 25 – 40 A (Power)

Wire Size: .5 – 1 mm<sup>2</sup>

[All ROUND CONNECTOR SYSTEM, PIN AND SOCKET \(60\)](#)

## Features

### Product Type Features

Receptacle Style	180°
Sealable	No
Primary Locking Feature	Locking Lance

### Contact Features

Contact Size	2.5mm
Contact Fabrication	Stamped & Formed
Wire Contact Termination Area Plating Material	Tin
Typical Current Rating	40 A
Crimp Type	F-Crimp
Terminal Type	Socket
Mating Pin Diameter	2.5 mm[.098 in]
Interface Plating	Tin (Sn)

### Termination Features

Termination Method to Wire & Cable	Crimp
------------------------------------	-------



Product Terminates To

Wire

### Dimensions

Compatible Insulation Diameter Range

1.4 – 2.1 mm [.055 – .083 in]

Wire Size

.5 – 1 mm<sup>2</sup>

Wire Size Search

17 AWG, 18 AWG, 19 AWG, 20 AWG

### Usage Conditions

Insulation Option

Uninsulated

Operating Temperature (Max)

80 °C, 85 °C, 90 °C, 100 °C, 105 °C, 110 °C, 120 °C, 125 °C, 130 °C [176 °F][185 °F][194 °F][212 °F][221 °F][230 °F][248 °F][257 °F][266 °F]

Operating Temperature Range

-40 – 130 °C [-40 – 266 °F]

### Operation/Application

Compatible With Wire Base Material

Copper

### Packaging Features

Packaging Quantity

3200

Packaging Method

Reel

### Other

Terminal Transmits

25 – 40 A (Power)

## Product Compliance

For compliance documentation, visit the product page on [TE.com](#)>

EU RoHS Directive 2011/65/EU

Compliant

EU ELV Directive 2000/53/EC

Compliant

China RoHS 2 Directive MIIT Order No 32, 2016

No Restricted Materials Above Threshold

EU REACH Regulation (EC) No. 1907/2006

Current ECHA Candidate List: JUNE 2023 (235)  
Candidate List Declared Against: JUNE 2023 (235)  
Does not contain REACH SVHC

Halogen Content

Low Halogen - Br, Cl, F, I &lt; 900 ppm per homogenous material. Also BFR/CFR/PVC Free

Solder Process Capability

Not applicable for solder process capability

Product Compliance Disclaimer

This information is provided based on reasonable inquiry of our suppliers and represents our current actual knowledge based on the information they provided. This information is subject to change. The part numbers that TE has identified as EU RoHS compliant have a maximum concentration of 0.1% by weight in homogenous materials for lead, hexavalent chromium, mercury, PBB, PBDE, DBP, BBP, DEHP, DIBP, and 0.01% for cadmium, or qualify for an exemption to these limits as defined in the Annexes of Directive 2011/65/EU (RoHS2). Finished electrical and electronic equipment products will be CE marked as required by Directive 2011/65/EU. Components may not be CE marked. Additionally, the part numbers that TE has identified as EU ELV compliant have a maximum concentration of 0.1% by weight in homogenous materials for lead, hexavalent chromium, and mercury, and 0.01% for cadmium, or qualify for an exemption to these limits as defined in the Annexes of Directive 2000/53/EC (ELV). Regarding the REACH Regulation, the information TE provides on SVHC in articles for this part number is based on the latest European Chemicals Agency (ECHA) 'Guidance on requirements for substances in articles' posted at this URL: <https://echa.europa.eu/guidance-documents/guidance-on-reach>

## Compatible Parts



TE Part # 1-1579007-8  
EXTRACTION TOOL



TE Part # 2-1579024-5  
HAND TOOL 2,5 MM DIA.  
CONTACTS 0,5-1,0



TE Part # 2305570-1  
Strip Terminal Cutter-Side Feed-No  
Crimp



TE Part # 2-2266254-1  
OCEAN-2.0-APPLICATOR-S-080F1000



TE Part # 2-2266254-2  
OCEAN-2.0-APPLICATOR-S-080F1000



TE Part # 2266254-1  
OCEAN-2.0-APPLICATOR-S-080F1000



TE Part # 2266254-2  
OCEAN-2.0-APPLICATOR-S-080F1000




TE Part # 2837603-1  
APPLICATOR TO MAKE LOOSE  
PIECE TERMINALS




TE Part # 7-2266254-1  
OCEAN-2.0-APPLICATOR-S-080F1000



TE Part # 7-2266254-2  
OCEAN-2.0-APPLICATOR-S-080F1000



TE Part # 7-2266254-7  
OCEAN\_2.0\_SPARE\_PART\_KIT-  
080F1000



TE Part # 7-2837603-7  
TOOLING KIT TO MAKE LOOSE  
PIECE TERMINAL

## Also in the Series | Round Connector System



Automotive Connector Caps & Covers (4)



Automotive Housings(17)



Automotive Terminals(60)

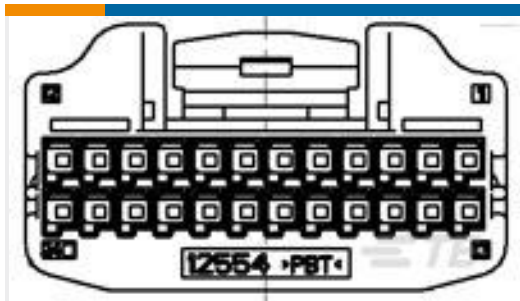


Connector Seals & Cavity Plugs(3)



Insertion & Extraction Tools(8)

## Customers Also Bought



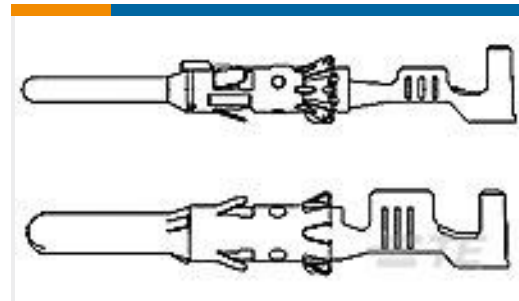
TE Part #1717112-1  
0.64 III 24POS PLUG ASSY



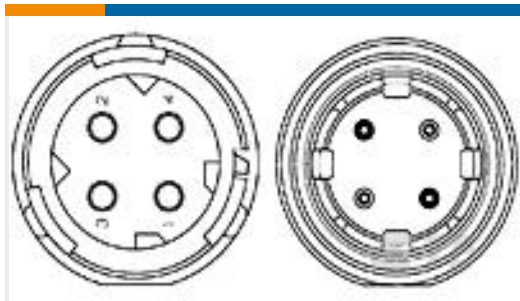
TE Part #6-1415037-1  
PT17040



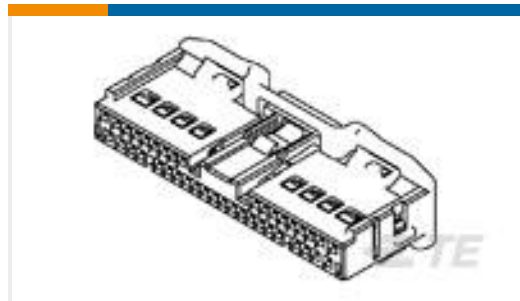
TE Part #2-1445057-5  
MICRO MNL HDR ASSY SINGLE ROW



TE Part #929963-1  
STIFTKONTAKT 2,5MMD



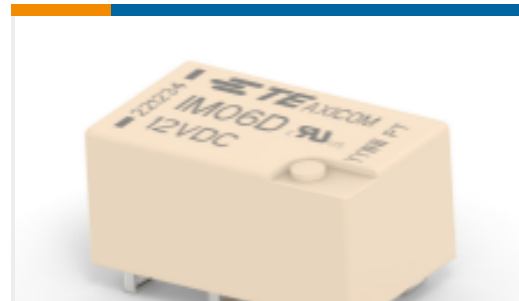
TE Part #1703780-1  
4POS,PIN DIA 2.5,PIN HSG,ASSY



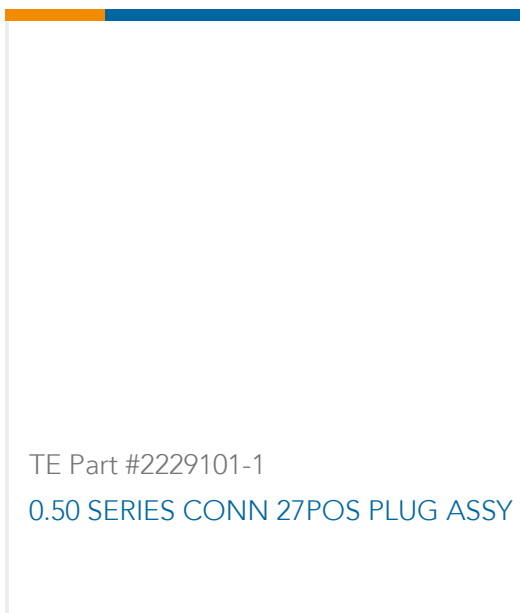
TE Part #1827842-1  
0.50 SERIES CONN 40POS PLUG ASSY TYPE-A



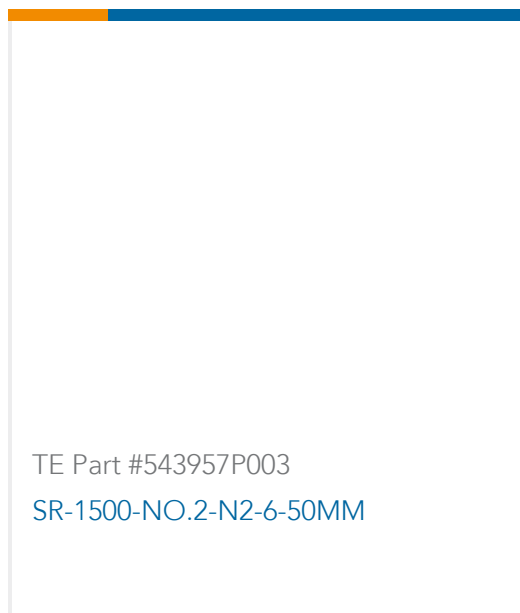
TE Part #1612121-1  
SQUIB 2POS PLUG HSG



TE Part #7-1462039-0  
IM06DJR=IM RELAY 140mW 12V



TE Part #2229101-1  
0.50 SERIES CONN 27POS PLUG ASSY



TE Part #543957P003  
SR-1500-NO.2-N2-6-50MM

## Documents



### Product Drawings

#### SOCKET CONTACT 2,5MMD

German

---

### CAD Files

Customer View Model

[ENG\\_CVM\\_929970-1\\_A5.3d\\_igs.zip](#)

English

Customer View Model

[ENG\\_CVM\\_929970-1\\_A5.3d\\_stp.zip](#)

English

Customer View Model

[ENG\\_CVM\\_929970-1\\_A5.2d\\_dxf.zip](#)

English

**3D PDF**

English

By downloading the CAD file I accept and agree to the [Terms and Conditions](#) of use.

---

### Datasheets & Catalog Pages

**Heavy Duty Connectors**

English

---

### Product Specifications

**Application Specification**

English

**Application Specification**

English