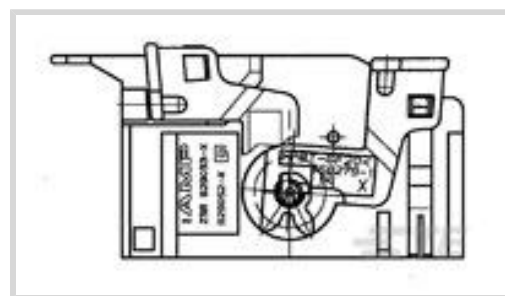




Connectors > Automotive Connectors > Automotive Connector Accessories > Automotive Connector Caps & Covers



Protection & Strain Relief Accessory Type: **Cover Assembly**

Strain Relief: **With**

Primary Product Color: **Blue**

Primary Product Material: **PBT GF**

Number of Positions: **32**

Features

Product Type Features

Protection & Strain Relief Accessory Type	Cover Assembly
---	----------------

Configuration Features

Compatible With Connector Code	B
--------------------------------	---

Number of Positions	32
---------------------	----

Body Features

Primary Product Color	Blue
-----------------------	------

Primary Product Material	PBT GF
--------------------------	--------

Mechanical Attachment

Strain Relief	With
---------------	------

Usage Conditions

Operating Temperature (Max)	85 °C[185 °F]
-----------------------------	---------------

Operating Temperature Range	-40 – 85 °C[-40 – 185 °F]
-----------------------------	---------------------------

Packaging Features

Packaging Quantity	500
--------------------	-----

Packaging Method	Carton
------------------	--------

Product Compliance

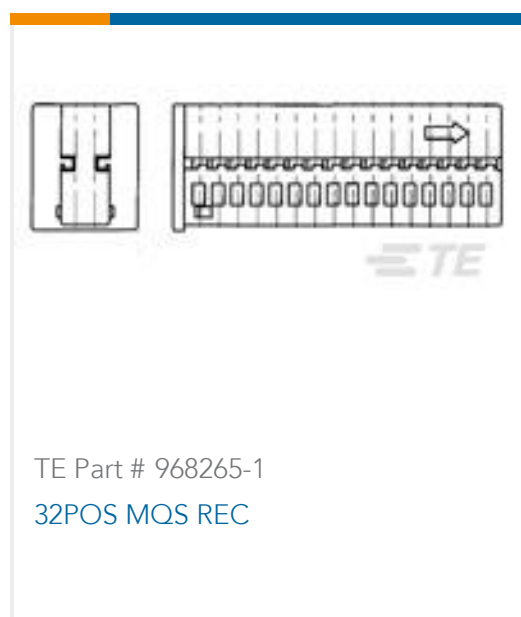
[For compliance documentation, visit the product page on TE.com>](#)

EU RoHS Directive 2011/65/EU	Compliant
EU ELV Directive 2000/53/EC	Compliant
China RoHS 2 Directive MIIT Order No 32, 2016	No Restricted Materials Above Threshold
EU REACH Regulation (EC) No. 1907/2006	Current ECHA Candidate List: JUNE 2023 (235) Candidate List Declared Against: JUNE 2023 (235) Does not contain REACH SVHC
Halogen Content	Not Low Halogen - contains Br or Cl > 900 ppm.
Solder Process Capability	Not applicable for solder process capability

Product Compliance Disclaimer

This information is provided based on reasonable inquiry of our suppliers and represents our current actual knowledge based on the information they provided. This information is subject to change. The part numbers that TE has identified as EU RoHS compliant have a maximum concentration of 0.1% by weight in homogenous materials for lead, hexavalent chromium, mercury, PBB, PBDE, DBP, BBP, DEHP, DIBP, and 0.01% for cadmium, or qualify for an exemption to these limits as defined in the Annexes of Directive 2011/65/EU (RoHS2). Finished electrical and electronic equipment products will be CE marked as required by Directive 2011/65/EU. Components may not be CE marked. Additionally, the part numbers that TE has identified as EU ELV compliant have a maximum concentration of 0.1% by weight in homogenous materials for lead, hexavalent chromium, and mercury, and 0.01% for cadmium, or qualify for an exemption to these limits as defined in the Annexes of Directive 2000/53/EC (ELV). Regarding the REACH Regulation, the information TE provides on SVHC in articles for this part number is based on the latest European Chemicals Agency (ECHA) 'Guidance on requirements for substances in articles' posted at this URL: <https://echa.europa.eu/guidance-documents/guidance-on-reach>

Compatible Parts



TE Part # 968265-1
32POS MQS REC

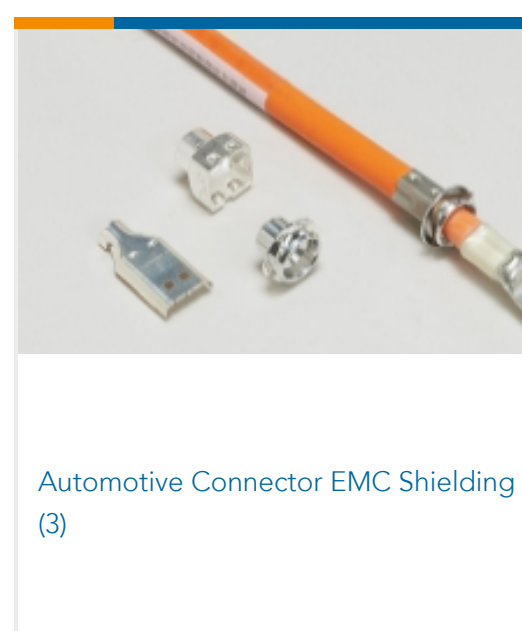


TE Part # CAT-SIGH262
Signal Header

Also in the Series | MQS



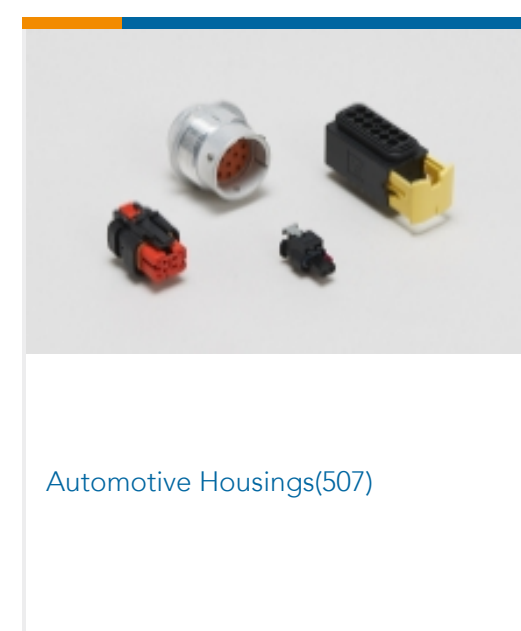
Automotive Connector Caps & Covers (138)



Automotive Connector EMC Shielding (3)



Automotive Connector Locks & Position Assurance(30)



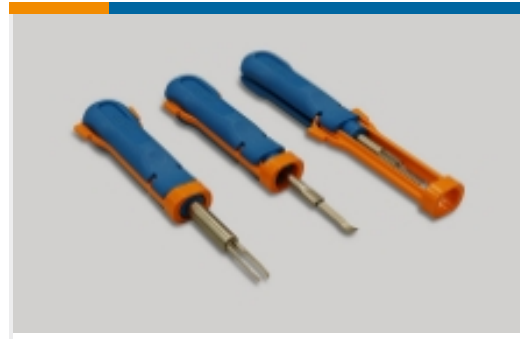
Automotive Housings(507)



Automotive Terminals(104)



Connector Seals & Cavity Plugs(27)



Insertion & Extraction Tools(42)



Other Automotive Connector Accessories(14)

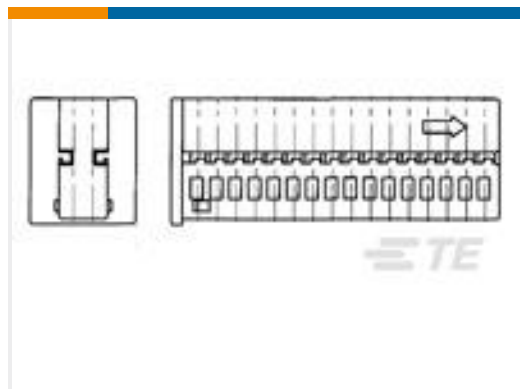


PCB Headers & Receptacles(213)

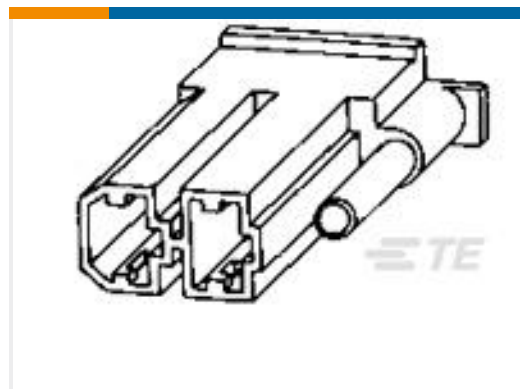
Customers Also Bought



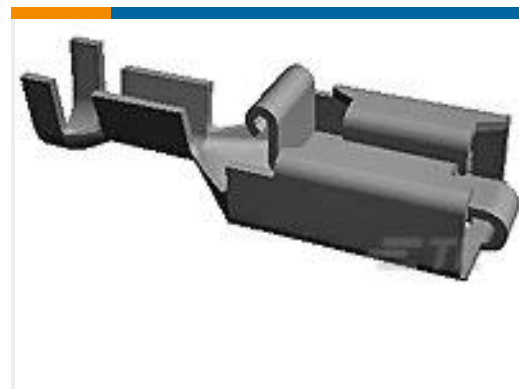
TE Part #1-2112891-1
AMP MCP Unsealed Connector Housings



TE Part #968265-1
32POS MQS REC



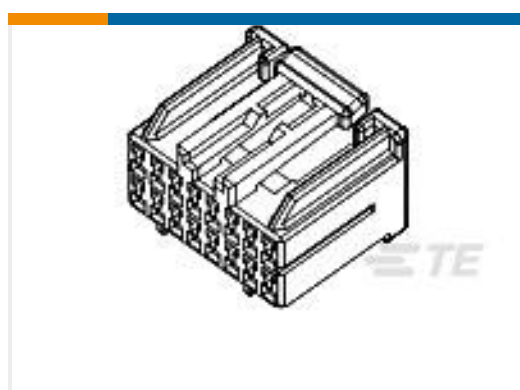
TE Part #171447-3
FF 375 PLUG HSG 2P NYLON BROWN



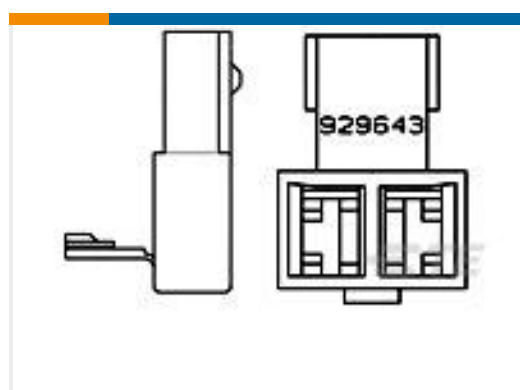
TE Part #927854-7
PL 250 REC TERMINAL 17-13 AWG PTPPB



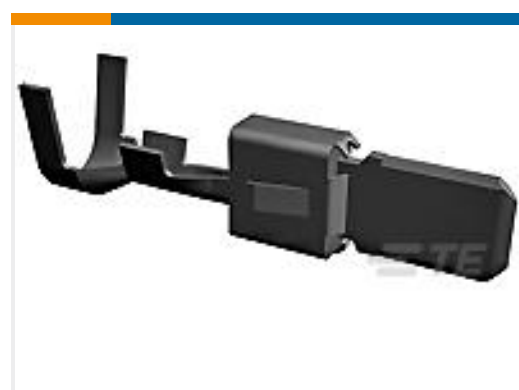
TE Part #1534149-1
MQS RETAINER, BLACK



TE Part #917989-1
HYBRID MK-2 PLUG HSG ASSY 22P



TE Part #929643-1
2P KUPPLUNGSGEH



TE Part #1-962918-2
TAB 5.8x0.8 CONTACT CS SWS Ag



TE Part #1-1718284-2
ADAPTER 90°FOR 10-14POS. SOCKE

Documents



Product Drawings

[MQS ABDEKA M.HEB32P](#)

English

CAD Files

[3D PDF](#)

3D

Customer View Model

[ENG_CVM_CVM_929053-2_C.2d_dxf.zip](#)

English

Customer View Model

[ENG_CVM_CVM_929053-2_C.3d_igs.zip](#)

English

Customer View Model

[ENG_CVM_CVM_929053-2_C.3d_stp.zip](#)

English

By downloading the CAD file I accept and agree to the [Terms and Conditions](#) of use.

Product Specifications

[Application Specification](#)

English