



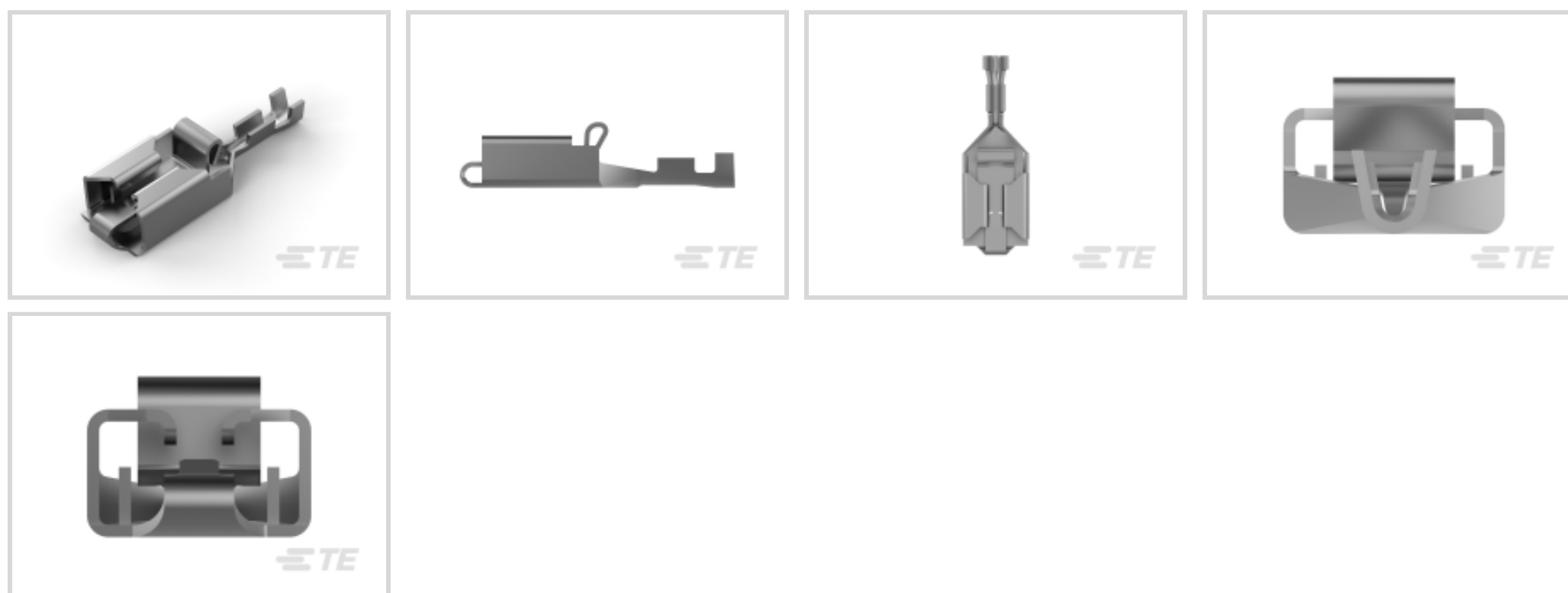
[Positive Lock](#) | [Positive Lock 250](#)

TE Internal #: 928909-5

Quick Disconnects, Receptacle, 24 – 20 AWG Wire Size, .2 – .51 mm<sup>2</sup> Wire Size, Mating Tab Width 6.35 mm [.25 in], Straight, Brass, Positive Lock 250

[View on TE.com >](#)

Terminals & Splices > Quick Disconnects



Quick Disconnect Terminal Type: **Receptacle**

Wire Size: .2 – .51 mm<sup>2</sup>

Mating Tab Width: 6.35 mm [.25 in]

Mating Tab Thickness: .81 mm [.032 in]

### Features

#### Product Type Features

Insertion Force	Low
-----------------	-----

#### Configuration Features

Connection Capacity	Single
Compatible With Wire & Cable Type	FLK

#### Contact Features

Quick Disconnect Terminal Type	Receptacle
Mating Tab Width	6.35 mm [.25 in]
Mating Tab Thickness	.81 mm [.032 in]
Terminal Orientation	Straight
Contact Base Material	Brass
Terminal Plating Material	Pre-Tin
Crimp Type	F-Crimp
Barrel Type	Open

#### Termination Features

--	--



Product Terminates To	Wire & Cable
-----------------------	--------------

### Mechanical Attachment

Extraction Force	7 – 100 Newton
------------------	----------------

Wire Insulation Support	With
-------------------------	------

Mating Retention Type	Dimple
-----------------------	--------

### Dimensions

Terminal Material Thickness	.41 mm[.016 in]
-----------------------------	-----------------

Product Length	22.3 mm[.88 in]
----------------	-----------------

Compatible Insulation Diameter Range	1 – 1.6 mm[.039 – .063 in]
--------------------------------------	----------------------------

Wire Size	.2 – .51 mm <sup>2</sup>
-----------	--------------------------

### Usage Conditions

Insulation Option	Uninsulated
-------------------	-------------

Operating Temperature Range	-40 – 110 °C[-40 – 230 °F]
-----------------------------	----------------------------

### Industry Standards

Agency/Standard	UL
-----------------	----

### Packaging Features

Packaging Quantity	1500
--------------------	------

Packaging Method	Strip/Reel
------------------	------------

### Product Compliance

[For compliance documentation, visit the product page on TE.com>](#)

EU RoHS Directive 2011/65/EU	Compliant
------------------------------	-----------

EU ELV Directive 2000/53/EC	Compliant
-----------------------------	-----------

China RoHS 2 Directive MIIT Order No 32, 2016	No Restricted Materials Above Threshold
---	---

EU REACH Regulation (EC) No. 1907/2006	Current ECHA Candidate List: JUNE 2023 (235) Candidate List Declared Against: JUNE 2023 (235) Does not contain REACH SVHC
--	---

Halogen Content	Low Halogen - Br, Cl, F, I < 900 ppm per homogenous material. Also BFR/CFR/PVC Free
-----------------	---

Solder Process Capability	Not applicable for solder process capability
---------------------------	--

Product Compliance Disclaimer

This information is provided based on reasonable inquiry of our suppliers and represents our current actual knowledge based on the information they provided. This information is subject to change. The part numbers that TE has identified as EU RoHS compliant have a maximum concentration of 0.1% by weight in homogenous materials for lead, hexavalent chromium, mercury, PBB, PBDE, DBP, BBP, DEHP, DIBP, and 0.01% for cadmium, or qualify for an exemption to these limits as defined in the Annexes of Directive 2011/65/EU (RoHS2). Finished electrical and electronic equipment products will be CE marked as required by Directive 2011/65/EU. Components may not be CE marked. Additionally, the part numbers that TE has identified as EU ELV compliant have a maximum concentration of 0.1% by weight in homogenous materials for lead, hexavalent chromium, and mercury, and 0.01% for cadmium, or qualify for an exemption to these limits as defined in the Annexes of Directive 2000/53/EC (ELV). Regarding the REACH Regulation, the information TE provides on SVHC in articles for this part number is based on the latest European Chemicals Agency (ECHA) 'Guidance on requirements for substances in articles' posted at this URL: <https://echa.europa.eu/guidance-documents/guidance-on-reach>

## Compatible Parts



TE Part # 2305570-1  
Strip Terminal Cutter-Side Feed-No Crimp



TE Part # 724659-2  
EXT TOOL FOR POSITIVE .250



TE Part # 2-2151301-2  
OCEAN-2.0-APPLICATOR-S-070F090F



TE Part # 2151301-2  
OCEAN-2.0-APPLICATOR-S-070F090F

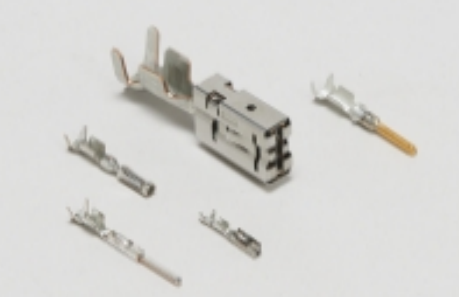


TE Part # 7-2151301-2  
OCEAN-2.0-APPLICATOR-S-070F090F

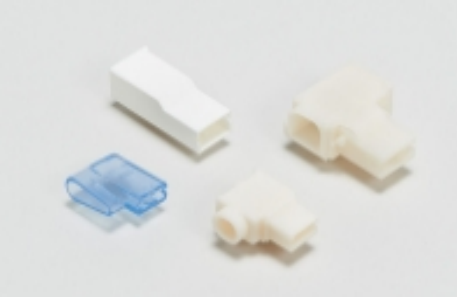


KIT  
REPRESENTATION ONLY  
TE Part # 7-2151301-7  
OCEAN\_2.0\_SPARE\_PART\_KIT-070F090F


## Also in the Series | Positive Lock 250



Automotive Terminals(1)



Crimp Terminal Housings(193)



Insertion & Extraction Tools(3)

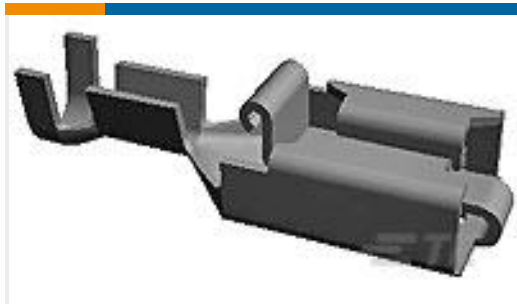


Insulation Boots & Sleeves(4)



Quick Disconnects(186)

## Customers Also Bought



TE Part #927852-6  
PL 250 REC TERMINAL 20-17 AWG  
PTPB



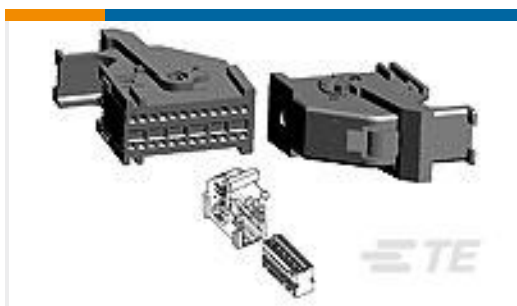
TE Part #1379671-5  
40W PLUG HSG ASSY NATURAL



TE Part #2109050-3  
HYB 58P CAP ASSY CLIP TYPE



TE Part #2287871-1  
24POS,MIXED,TAB HSG,025,090,  
CODE A,ASSY



TE Part #284223-5  
24 POS. AIRBAG CONN. KIT ASS'Y



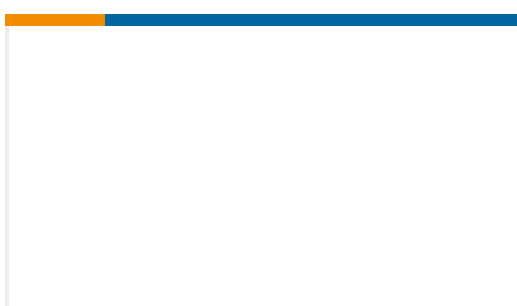
TE Part #3-1718643-1  
2POS, MCON 1.2 LL REC SEALED



TE Part #2-2236706-1  
2-POS. SEALED 2.8MM USCAR  
CLEAN BODY FOR



TE Part #1-1823174-1  
2POS,1.5MM SFC,REC HSG,ASSY,  
SEALED



TE Part #2005480-2  
PCU 196P COVER HSG TYPE A



TE Part #2338584-1  
ASSY, 2P AKI SQUIB, L-1120

## Documents

### CAD Files

Customer View Model

[ENG\\_CVM\\_CVM\\_928909-5\\_C.2d\\_dxf.zip](#)

English

### 3D PDF

3D

Customer View Model

[ENG\\_CVM\\_CVM\\_928909-5\\_C.3d\\_igs.zip](#)



English

Customer View Model

[ENG\\_CVM\\_CVM\\_928909-5\\_C.3d\\_stp.zip](#)

English

By downloading the CAD file I accept and agree to the [Terms and Conditions](#) of use.

---

**Product Specifications**

[Application Specification](#)

German

---

**Product Environmental Compliance**

[Product Compliance](#)

English

[Product Compliance](#)

English