

928820-1 ✓ ACTIVE



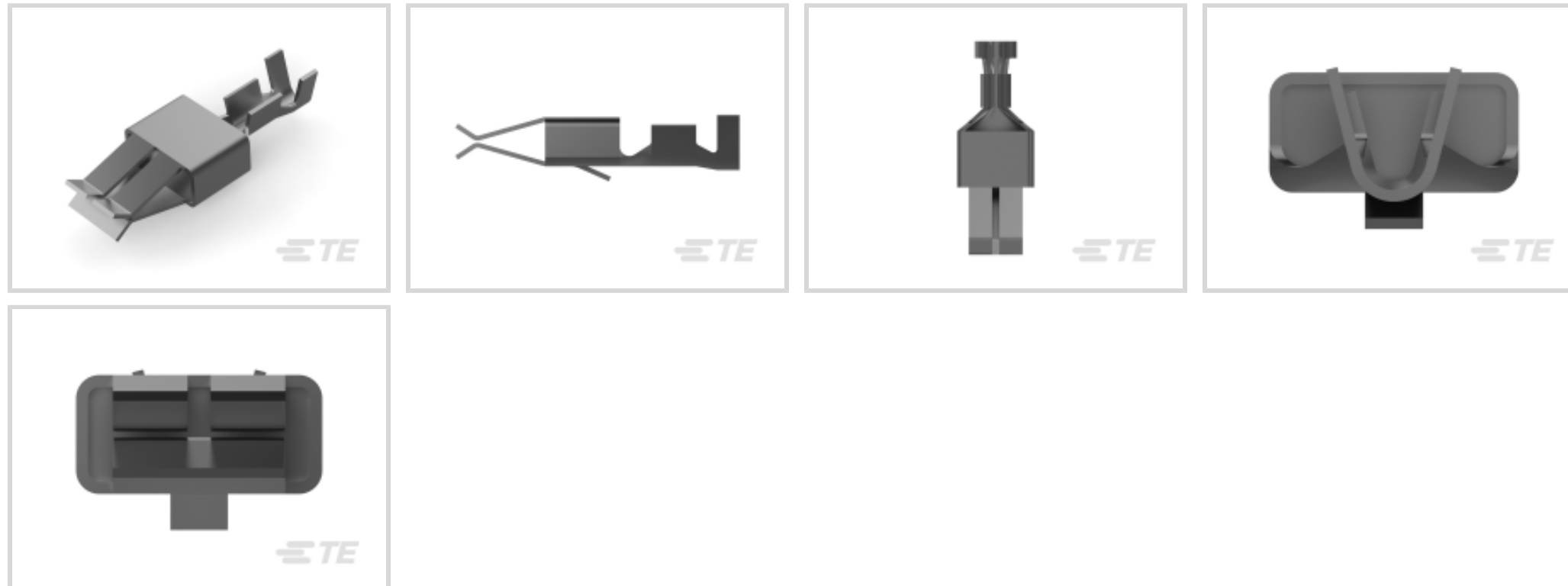
## RAST

TE Internal #: 928820-1

Automotive Terminals, Receptacle, Mating Tab Width 5.8 mm [.228 in], Tab Thickness .8 mm [.031 in], 20 – 17 AWG Wire Size, .5 – 1 mm<sup>2</sup> Wire Size

[View on TE.com >](#)

Terminals & Splices > Automotive Terminals > TIMER, RECEPTACLE AND TAB



Terminal Type: **Receptacle**

Mating Tab Width: **5.8 mm [.228 in]**

Mating Tab Thickness: **.8 mm [.031 in]**

Terminal Transmits: **0 – 24 A (Low Power)**

Wire Size: **20 – 17 AWG**

[All TIMER, RECEPTACLE AND TAB \(348\)](#)

## Features

### Product Type Features

Sealable	No
Primary Locking Feature	Locking Lance

### Contact Features

Contact Size	6.3mm
Contact Fabrication	Stamped & Formed
Crimp Type	F-Crimp
Terminal Type	Receptacle
Mating Tab Width	5.8 mm [.228 in]
Mating Tab Thickness	.8 mm [.031 in]
Interface Plating	Tin (Sn)

### Termination Features

Termination Method to Wire & Cable	Crimp
------------------------------------	-------



Product Terminates To

Wire

### Dimensions

Wire Size

.5 – 1 mm<sup>2</sup>

Wire Size Search

17 AWG, 18 AWG, 19 AWG, 20 AWG

### Usage Conditions

Insulation Option

Uninsulated

Operating Temperature (Max)

80 °C, 85 °C, 90 °C, 100 °C, 105 °C[176 °F]  
[185 °F][194 °F][212 °F][221 °F]

Operating Temperature Range

-55 – 105 °C[-67 – 221 °F]

### Operation/Application

Compatible With Wire Base Material

Copper

### Packaging Features

Packaging Quantity

3000

Packaging Method

Reel

### Other

Terminal Transmits

0 – 24 A (Low Power)

## Product Compliance

[For compliance documentation, visit the product page on TE.com>](#)

EU RoHS Directive 2011/65/EU

Compliant

EU ELV Directive 2000/53/EC

Compliant

China RoHS 2 Directive MIIT Order No 32, 2016

No Restricted Materials Above Threshold

EU REACH Regulation (EC) No. 1907/2006

Current ECHA Candidate List: JUNE 2023  
(235)  
Candidate List Declared Against: JUNE  
2023 (235)  
Does not contain REACH SVHC

Halogen Content

Low Halogen - Br, Cl, F, I < 900 ppm per  
homogenous material. Also BFR/CFR/PVC  
Free

Solder Process Capability

Not applicable for solder process capability

#### Product Compliance Disclaimer

This information is provided based on reasonable inquiry of our suppliers and represents our current actual knowledge based on the information they provided. This information is subject to change. The part numbers that TE has identified as EU RoHS compliant have a maximum concentration of 0.1% by weight in homogenous materials for lead, hexavalent chromium, mercury, PBB, PBDE, DBP, BBP, DEHP, DIBP, and 0.01% for cadmium, or qualify for an exemption to these

limits as defined in the Annexes of Directive 2011/65/EU (RoHS2). Finished electrical and electronic equipment products will be CE marked as required by Directive 2011/65/EU. Components may not be CE marked. Additionally, the part numbers that TE has identified as EU ELV compliant have a maximum concentration of 0.1% by weight in homogenous materials for lead, hexavalent chromium, and mercury, and 0.01% for cadmium, or qualify for an exemption to these limits as defined in the Annexes of Directive 2000/53/EC (ELV). Regarding the REACH Regulation, the information TE provides on SVHC in articles for this part number is based on the latest European Chemicals Agency (ECHA) 'Guidance on requirements for substances in articles' posted at this URL: <https://echa.europa.eu/guidance-documents/guidance-on-reach>

## Compatible Parts



TE Part # 1-1579007-4  
EXTRACTION TOOL



TE Part # 4-1579007-3  
EXTRACTION TOOL KIT



TE Part # 2305570-1  
Strip Terminal Cutter-Side Feed-No Crimp



TE Part # 2151133-2  
OCEAN\_2.0\_APPLICATOR-S-080F110OV



TE Part # 1241959-4  
STD-TIM HSG MKII 4P



TE Part # 2392900-1  
SDE F JR/STD TIMER 0.5-1.0mm2 ASSY



TE Part # 2392900-2  
SDE F JR/STD TIMER 0.5-1.0mm2 DIE SET



TE Part # 7-2151133-2  
OCEAN\_2.0\_APPLICATOR-S-080F110OV



TE Part # 7-2151133-7  
OCEAN\_2.0\_SPARE\_PART\_KIT-080F110OV



TE Part # 2-2151133-2  
OCEAN\_2.0\_APPLICATOR-S-080F110OV

## Customers Also Bought



TE Part #928343-4  
STD TIMER GEH 4P



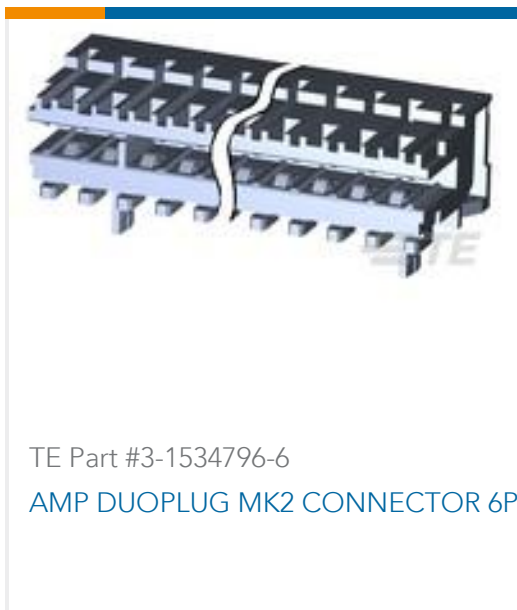
TE Part #926984-1  
STD TIMER CONTACT



TE Part #2292798-1  
AS16 BACKSHELL, 3P PLUG, SMOOTH EXIT, MC



TE Part #1241959-5  
STD-TIM HSG MKII 5P



TE Part #3-1534796-6  
AMP DUOPLUG MK2 CONNECTOR 6P



TE Part #1-66109-6  
III+ SKT,26-24,30AU/FL,SMPACK



TE Part #5-102393-6  
16 AMPMODU MT ASSY DR.100CL SN



TE Part #1534072-1  
MULTIFIT MK2 ASSY 1P,AR



TE Part #5-964702-3  
STD-TIMER HOUSING 9POS

## Documents

### Product Drawings

#### STD TIMER CONTACT

English

### CAD Files

#### Customer View Model

[ENG\\_CVM\\_CVM\\_928820-1\\_B.2d\\_dxf.zip](#)

English

#### 3D PDF

3D

#### Customer View Model

[ENG\\_CVM\\_CVM\\_928820-1\\_B.3d\\_igs.zip](#)

English

#### Customer View Model

[ENG\\_CVM\\_CVM\\_928820-1\\_B.3d\\_stp.zip](#)

English

By downloading the CAD file I accept and agree to the [Terms and Conditions](#) of use.

### Datasheets & Catalog Pages

[1654742\\_HOUSEHOLD\\_APPLIANCES\\_RAST5](#)

English

#### Timer Interconnection System

English

### Product Specifications

[Application Specification](#)

German



**Application Specification**

English

**Application Specification**

English

**Application Specification**

English

---

**Product Environmental Compliance**

[MD\\_928820-1\\_10262017443\\_dmtec](#)

English

[MD\\_928820-1\\_10262017443\\_dmtec](#)

English

---

**Agency Approvals**

[Agency Approval Document](#)

English