



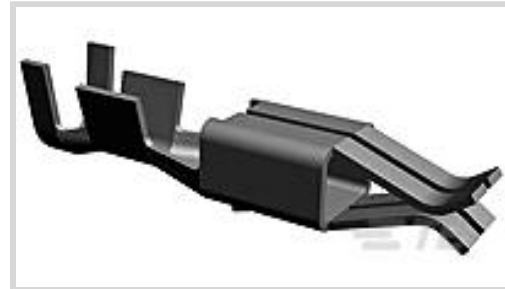
AMP | Junior Timer

TE Internal #: 927863-1

Automotive Terminals, Receptacle, Mating Tab Width 2.8 mm [.11 in], Tab Thickness .8 mm [.031 in], 20 – 17 AWG Wire Size, Junior Timer

[View on TE.com >](#)

Terminals & Splices > Automotive Terminals > TIMER, RECEPTACLE AND TAB



Terminal Type: **Receptacle**

Mating Tab Width: **2.8 mm [.11 in]**

Mating Tab Thickness: **.8 mm [.031 in]**

Terminal Transmits: **0 – 24 A (Low Power)**

Wire Size: **20 – 17 AWG**

[All TIMER, RECEPTACLE AND TAB \(348\)](#)

Features

Product Type Features

| | |
|-------------------------|---------------|
| Receptacle Style | 180° |
| Sealable | No |
| Primary Locking Feature | Locking Lance |

Contact Features

| | |
|--|------------------|
| Contact Size | 2.8mm |
| Contact Fabrication | Stamped & Formed |
| Wire Contact Termination Area Plating Material | Tin |
| Typical Current Rating | 10 A |
| Crimp Type | F-Crimp |
| Terminal Type | Receptacle |
| Mating Tab Width | 2.8 mm[.11 in] |
| Mating Tab Thickness | .8 mm[.031 in] |
| Interface Plating | Tin (Sn) |

Termination Features

| | |
|------------------------------------|-------|
| Termination Method to Wire & Cable | Crimp |
| Product Terminates To | Wire |

Dimensions



| | |
|--------------------------------------|--------------------------------|
| Compatible Insulation Diameter Range | 2 – 2.7 mm [.079 – .106 in] |
| Wire Size | .5 – 1 mm ² |
| Wire Size Search | 17 AWG, 18 AWG, 19 AWG, 20 AWG |

Usage Conditions

| | |
|-----------------------------|---|
| Insulation Option | Uninsulated |
| Operating Temperature (Max) | 80 °C, 85 °C, 90 °C, 100 °C, 105 °C, 110 °C [176 °F][185 °F][194 °F][212 °F][221 °F][230 °F] |
| Operating Temperature Range | -40 – 110 °C [-40 – 230 °F] |

Operation/Application

| | |
|------------------------------------|--------|
| Compatible With Wire Base Material | Copper |
|------------------------------------|--------|

Industry Standards

| | |
|-----------------|-----------------------------|
| Agency/Standard | IEC 664/664A (DIN VDE 0110) |
|-----------------|-----------------------------|

Packaging Features

| | |
|--------------------|--------|
| Packaging Quantity | 4000 |
| Packaging Method | Carton |

Other

| | |
|--------------------|----------------------|
| Terminal Transmits | 0 – 24 A (Low Power) |
|--------------------|----------------------|

Product Compliance

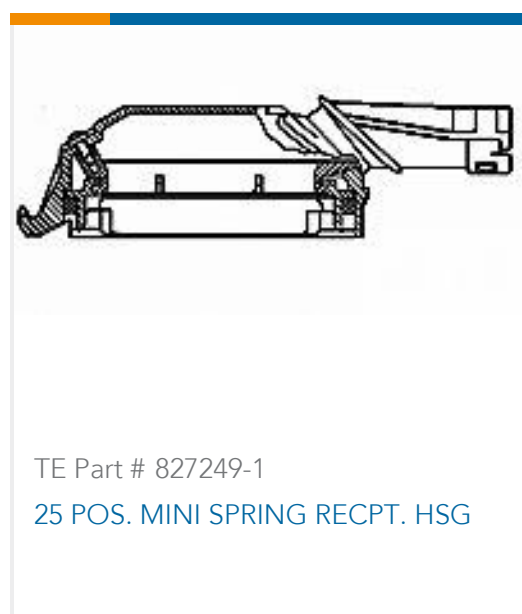
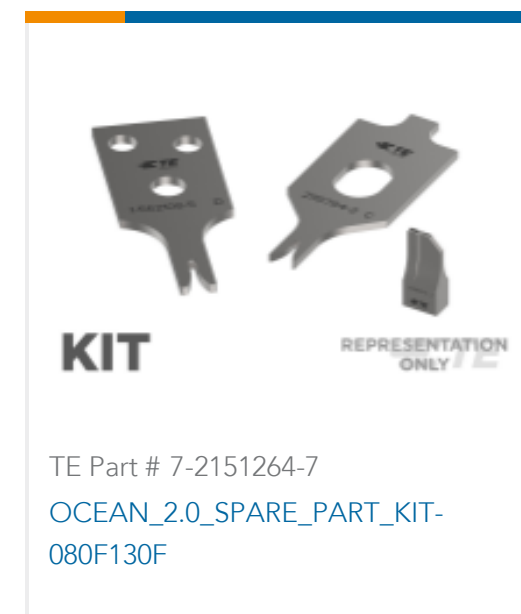
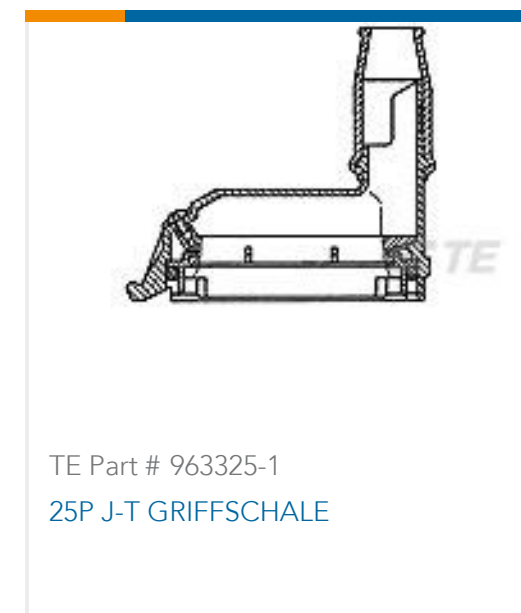
[For compliance documentation, visit the product page on TE.com>](#)

| | |
|---|---|
| EU RoHS Directive 2011/65/EU | Compliant |
| EU ELV Directive 2000/53/EC | Compliant |
| China RoHS 2 Directive MIIT Order No 32, 2016 | No Restricted Materials Above Threshold |
| EU REACH Regulation (EC) No. 1907/2006 | Current ECHA Candidate List: JUNE 2023 (235) Candidate List Declared Against: JUNE 2023 (235) Does not contain REACH SVHC |
| Halogen Content | Low Halogen - Br, Cl, F, I < 900 ppm per homogenous material. Also BFR/CFR/PVC Free |
| Solder Process Capability | Not applicable for solder process capability |

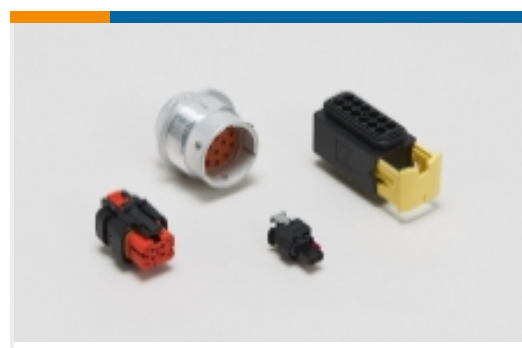
Product Compliance Disclaimer

This information is provided based on reasonable inquiry of our suppliers and represents our current actual knowledge based on the information they provided. This information is subject to change. The part numbers that TE has identified as EU RoHS compliant have a maximum concentration of 0.1% by weight in homogenous materials for lead, hexavalent chromium, mercury, PBB, PBDE, DBP, BBP, DEHP, DIBP, and 0.01% for cadmium, or qualify for an exemption to these limits as defined in the Annexes of Directive 2011/65/EU (RoHS2). Finished electrical and electronic equipment products will be CE marked as required by Directive 2011/65/EU. Components may not be CE marked. Additionally, the part numbers that TE has identified as EU ELV compliant have a maximum concentration of 0.1% by weight in homogenous materials for lead, hexavalent chromium, and mercury, and 0.01% for cadmium, or qualify for an exemption to these limits as defined in the Annexes of Directive 2000/53/EC (ELV). Regarding the REACH Regulation, the information TE provides on SVHC in articles for this part number is based on the latest European Chemicals Agency (ECHA) 'Guidance on requirements for substances in articles' posted at this URL: <https://echa.europa.eu/guidance-documents/guidance-on-reach>

Compatible Parts



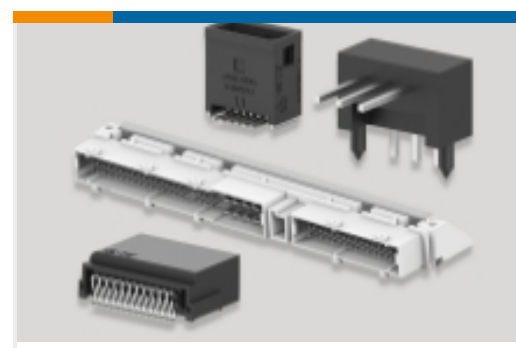
Also in the Series | **Junior Timer**



Automotive Housings(77)



Automotive Terminals(16)



PCB Headers & Receptacles(3)

Customers Also Bought

TE Part #344270-1
4 WAY REC.HSG. SIL. SEAL ECONOTE Part #347887-3
2 WAY JUNIOR TIMER CONN.TE Part #444430-1
SINGLE WIRE SEALTE Part #104482-9
20 SHORT PT RCPT HSG DR .100CLTE Part #1513317-1
PCB ANTENNA PENTA BANDTE Part #2208732-1
COVER,OUTGOING 90DEG,ASSYTE Part #2703293001
TR16-70-0TE Part #2424195-9
HSD CABLE ASSEMBLYTE Part #1-1102298-1
HB.16.SG-VS.1.21

Documents

Product Drawings

JUNIOR-TIMER KONT

German

CAD Files

3D PDF

3D

Customer View Model

[ENG_CVM_CVM_927863-1_B_c-927863-1-b.2d_dxf.zip](#)



English

Customer View Model

[ENG_CVM_CVM_927863-1_B_c-927863-1-b.3d_igs.zip](#)

English

Customer View Model

[ENG_CVM_CVM_927863-1_B_c-927863-1-b.3d_stp.zip](#)

English

By downloading the CAD file I accept and agree to the [Terms and Conditions](#) of use.

Datasheets & Catalog Pages

[Timer Interconnection System](#)

English

Product Specifications

[Application Specification](#)

English