

927852-6 ✓ ACTIVE

Positive Lock | Positive Lock 250

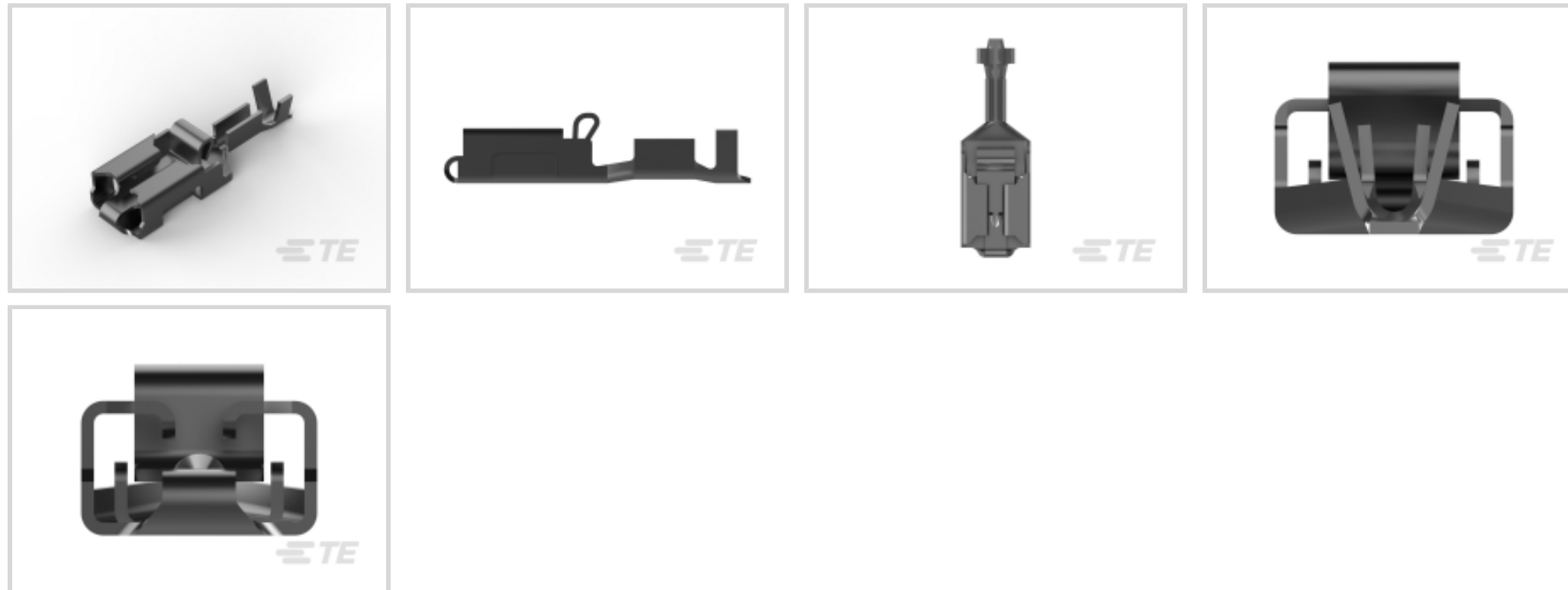
TE Internal #: 927852-6

Quick Disconnects, Receptacle, 20 – 17 AWG Wire Size, .51 – 1.03 mm² Wire Size, Mating Tab Width 6.35 mm [.25 in], Straight, Positive Lock 250

[View on TE.com >](#)



Terminals & Splices > Quick Disconnects



Quick Disconnect Terminal Type: **Receptacle**

Wire Size: .51 – 1.03 mm²

Mating Tab Width: 6.35 mm [.25 in]

Mating Tab Thickness: .81 mm [.032 in]

Features

Product Type Features

| | |
|-----------------|-----|
| Insertion Force | Low |
|-----------------|-----|

Configuration Features

| | |
|---------------------|--------|
| Connection Capacity | Single |
|---------------------|--------|

| | |
|-----------------------------------|-----|
| Compatible With Wire & Cable Type | FLK |
|-----------------------------------|-----|

Contact Features

| | |
|--------------------------------|------------|
| Quick Disconnect Terminal Type | Receptacle |
|--------------------------------|------------|

| | |
|------------------|------------------|
| Mating Tab Width | 6.35 mm [.25 in] |
|------------------|------------------|

| | |
|----------------------|------------------|
| Mating Tab Thickness | .81 mm [.032 in] |
|----------------------|------------------|

| | |
|----------------------|----------|
| Terminal Orientation | Straight |
|----------------------|----------|

| | |
|-----------------------|-----------------|
| Contact Base Material | Phosphor Bronze |
|-----------------------|-----------------|

| | |
|---------------------------|---------|
| Terminal Plating Material | Pre-Tin |
|---------------------------|---------|

| | |
|------------|---------|
| Crimp Type | F-Crimp |
|------------|---------|

| | |
|-------------|------|
| Barrel Type | Open |
|-------------|------|

Termination Features



| | |
|-----------------------|--------------|
| Product Terminates To | Wire & Cable |
|-----------------------|--------------|

Mechanical Attachment

| | |
|------------------|----------------|
| Extraction Force | 7 – 100 Newton |
|------------------|----------------|

| | |
|-------------------------|------|
| Wire Insulation Support | With |
|-------------------------|------|

| | |
|-----------------------|--------|
| Mating Retention Type | Dimple |
|-----------------------|--------|

Dimensions

| | |
|-----------------------------|-----------------|
| Terminal Material Thickness | .41 mm[.016 in] |
|-----------------------------|-----------------|

| | |
|----------------|------------------|
| Product Length | 22.3 mm[.878 in] |
|----------------|------------------|

| | |
|--------------------------------------|-------------------------------|
| Compatible Insulation Diameter Range | 1.4 – 2.31 mm[.055 – .091 in] |
|--------------------------------------|-------------------------------|

| | |
|-----------|----------------------------|
| Wire Size | .51 – 1.03 mm ² |
|-----------|----------------------------|

Usage Conditions

| | |
|-------------------|-------------|
| Insulation Option | Uninsulated |
|-------------------|-------------|

| | |
|-----------------------------|----------------------------|
| Operating Temperature Range | -40 – 110 °C[-40 – 230 °F] |
|-----------------------------|----------------------------|

Industry Standards

| | |
|-----------------|----|
| Agency/Standard | UL |
|-----------------|----|

Packaging Features

| | |
|--------------------|------|
| Packaging Quantity | 4500 |
|--------------------|------|

| | |
|------------------|------------|
| Packaging Method | Strip/Reel |
|------------------|------------|

Other

| | |
|-----------------------------|-----------------------------|
| Terminals & Splices Comment | FLKr-Wire: Thin Walled Wire |
|-----------------------------|-----------------------------|

Product Compliance

[For compliance documentation, visit the product page on TE.com>](#)

| | |
|------------------------------|-----------|
| EU RoHS Directive 2011/65/EU | Compliant |
|------------------------------|-----------|

| | |
|-----------------------------|-----------|
| EU ELV Directive 2000/53/EC | Compliant |
|-----------------------------|-----------|

| | |
|---|---|
| China RoHS 2 Directive MIIT Order No 32, 2016 | No Restricted Materials Above Threshold |
|---|---|

| | |
|--|---|
| EU REACH Regulation (EC) No. 1907/2006 | Current ECHA Candidate List: JUNE 2023 (235) Candidate List Declared Against: JUNE 2023 (235) Does not contain REACH SVHC |
|--|---|

| | |
|-----------------|---|
| Halogen Content | Low Halogen - Br, Cl, F, I < 900 ppm per homogenous material. Also BFR/CFR/PVC Free |
|-----------------|---|

Solder Process Capability

Not applicable for solder process capability

Product Compliance Disclaimer

This information is provided based on reasonable inquiry of our suppliers and represents our current actual knowledge based on the information they provided. This information is subject to change. The part numbers that TE has identified as EU RoHS compliant have a maximum concentration of 0.1% by weight in homogenous materials for lead, hexavalent chromium, mercury, PBB, PBDE, DBP, BBP, DEHP, DIBP, and 0.01% for cadmium, or qualify for an exemption to these limits as defined in the Annexes of Directive 2011/65/EU (RoHS2). Finished electrical and electronic equipment products will be CE marked as required by Directive 2011/65/EU. Components may not be CE marked. Additionally, the part numbers that TE has identified as EU ELV compliant have a maximum concentration of 0.1% by weight in homogenous materials for lead, hexavalent chromium, and mercury, and 0.01% for cadmium, or qualify for an exemption to these limits as defined in the Annexes of Directive 2000/53/EC (ELV). Regarding the REACH Regulation, the information TE provides on SVHC in articles for this part number is based on the latest European Chemicals Agency (ECHA) 'Guidance on requirements for substances in articles' posted at this URL: <https://echa.europa.eu/guidance-documents/guidance-on-reach>

Compatible Parts



TE Part # 2305570-1
Strip Terminal Cutter-Side Feed-No Crimp



TE Part # CAT-T4827-CH8172
Timer Connector Housing



TE Part # 724659-2
EXT TOOL FOR POSITIVE .250



TE Part # 2151161-2
OCEAN_2.0_APPLICATOR-S-081F1100VA



TE Part # 7-2151161-2
OCEAN_2.0_APPLICATOR-S-081F1100VA



TE Part # 7-2151161-7
OCEAN_2.0_SPARE_PART_KIT-081F1100V



TE Part # 539743-2
DIE F2.8FF TAB



TE Part # 2-2151161-2
OCEAN_2.0_APPLICATOR-S-081F1100VA



TE Part # 169400
CERTI-LOK FRAME W/O DIES



TE Part # 734469
MATRIZENPAAR



TE Part # 1-444017-1
HSG ASSY TIMER 9P



TE Part # 444017-2
HSG ASSY 9 POS JR

Also in the Series | [Positive Lock 250](#)



Automotive Terminals(1)



Crimp Terminal Housings(193)



Insertion & Extraction Tools(3)



Insulation Boots & Sleeves(4)



Quick Disconnects(186)

Customers Also Bought



TE Part #9-1452380-9
96 POS. CONNECTOR ASSY



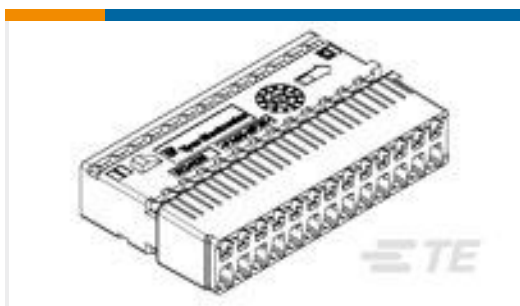
TE Part #D58196-000
FL2500-NO.2-I9-0-50MM



TE Part #1393431-1
V23540M7700Y 21=2 POL POT.VERT



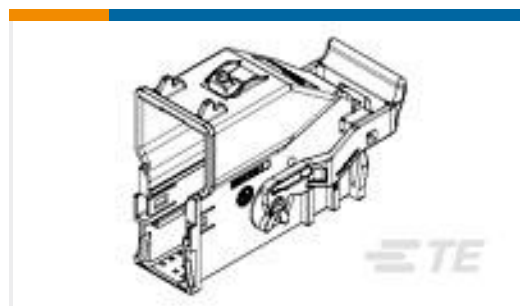
TE Part #2098067-1
Plug Assembly, Hybrid, BCM, IP1, A Key



TE Part #1924136-3
Carrier, 26P GenerationY, Hand Mate Conn



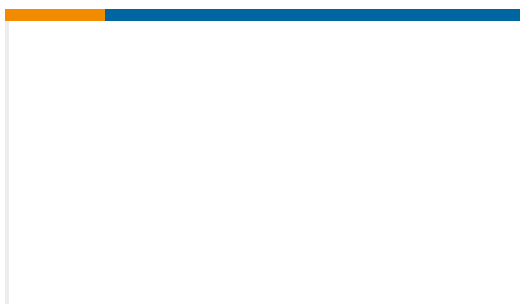
TE Part #163555-8
MATE-N-LOK PIN 0,3-



TE Part #1-1924337-3
Shield Assy, 54 POSN, 0.64mm, 20 DEG BLK



TE Part #3-644462-2
02P MTA156 CONN ASSY 20AWG LF DEG BLK



TE Part #1203559-1
DUAL EXTERNAL RELAY BASE MICRO (FR)



TE Part #1952074-2
.250 SRS, RECP HSG, 2P WITH SE

Documents



Product Drawings

[PL 250 REC TERMINAL 20-17 AWG PTPB](#)

English

CAD Files

[3D PDF](#)

3D

Customer View Model

[ENG_CVM_CVM_927852-6_G.2d_dxf.zip](#)

English

Customer View Model

[ENG_CVM_CVM_927852-6_G.3d_igs.zip](#)

English

Customer View Model

[ENG_CVM_CVM_927852-6_G.3d_stp.zip](#)

English

By downloading the CAD file I accept and agree to the [Terms and Conditions](#) of use.

Datasheets & Catalog Pages

[1654742_HOUSEHOLD_APPLIANCES_RAST5](#)

English

Product Specifications

[6,3mm Positiv Lock Contact](#)

English

[Application Specification](#)

English

[Application Specification](#)

English

Product Environmental Compliance

[MD_927852-6_04262018319_dmtec](#)

English

[MD_927852-6_04262018319_dmtec](#)

English