

927773-1 ✓ ACTIVE

AMP | Junior Timer

TE Internal #: 927773-1

Automotive Terminals, Receptacle, Mating Tab Width 2.8 mm [.11 in], Tab Thickness .8 mm [.031 in], 16 – 14 AWG Wire Size, Junior Timer

[View on TE.com >](#)



Terminals & Splices > Automotive Terminals > TIMER, RECEPTACLE AND TAB



Terminal Type: **Receptacle**

Mating Tab Width: **2.8 mm [.11 in]**

Mating Tab Thickness: **.8 mm [.031 in]**

Terminal Transmits: **25 – 40 A (Power)**

Wire Size: **16 – 14 AWG**

[All TIMER, RECEPTACLE AND TAB \(348\)](#)

Features

Product Type Features

Receptacle Style	180°
Sealable	No

Contact Features

Contact Size	2.8mm
Contact Fabrication	Stamped & Formed
Wire Contact Termination Area Plating Material	Tin
Typical Current Rating	30 A
Crimp Type	F-Crimp
Terminal Type	Receptacle
Mating Tab Width	2.8 mm[.11 in]
Mating Tab Thickness	.8 mm[.031 in]
Interface Plating	Tin (Sn)

Termination Features

Termination Method to Wire & Cable	Crimp
Product Terminates To	Wire & Cable

Dimensions



Compatible Insulation Diameter Range	2.7 – 4.1 mm [.106 – .161 in]
Wire Size	1 – 2.5 mm ²
Tab Length	18.8 mm [.74 in]

Usage Conditions

Insulation Option	Uninsulated
Operating Temperature (Max)	130 °C [266 °F]
Operating Temperature Range	-40 – 130 °C [-40 – 266 °F]

Operation/Application

Compatible With Wire Base Material	Copper
------------------------------------	--------

Packaging Features

Packaging Quantity	3000
Packaging Method	Reel

Other

Terminal Transmits	25 – 40 A (Power)
--------------------	-------------------

Product Compliance

[For compliance documentation, visit the product page on TE.com>](#)

EU RoHS Directive 2011/65/EU	Compliant
EU ELV Directive 2000/53/EC	Compliant
China RoHS 2 Directive MIIT Order No 32, 2016	No Restricted Materials Above Threshold
EU REACH Regulation (EC) No. 1907/2006	Current ECHA Candidate List: JUNE 2023 (235) Candidate List Declared Against: JUNE 2023 (235) Does not contain REACH SVHC
Halogen Content	Low Halogen - Br, Cl, F, I < 900 ppm per homogenous material. Also BFR/CFR/PVC Free
Solder Process Capability	Not applicable for solder process capability

Product Compliance Disclaimer

This information is provided based on reasonable inquiry of our suppliers and represents our current actual knowledge based on the information they provided. This information is subject to change. The part numbers that TE has identified as EU RoHS compliant have a maximum concentration of 0.1% by weight in homogenous materials for lead, hexavalent chromium, mercury, PBB, PBDE, DBP, BBP, DEHP, DIBP, and 0.01% for cadmium, or qualify for an exemption to these limits as defined in the Annexes of Directive 2011/65/EU (RoHS2). Finished electrical and electronic equipment products will be CE marked as required by Directive 2011/65/EU. Components may not be CE marked. Additionally, the part numbers that TE has identified as EU ELV compliant have a maximum concentration of 0.1% by weight in homogenous materials for lead, hexavalent chromium, and mercury, and 0.01% for cadmium, or qualify for an exemption to these limits

as defined in the Annexes of Directive 2000/53/EC (ELV). Regarding the REACH Regulation, the information TE provides on SVHC in articles for this part number is based on the latest European Chemicals Agency (ECHA) 'Guidance on requirements for substances in articles' posted at this URL: <https://echa.europa.eu/guidance-documents/guidance-on-reach>

Compatible Parts



TE Part # CAT-T4827-CH8172
Timer Connector Housing



TE Part # 4-1579007-3
EXTRACTION TOOL KIT



TE Part # 1-1579007-6
EXTRACTION TOOL



TE Part # 2305570-1
Strip Terminal Cutter-Side Feed-No Crimp



TE Part # 1-967625-3
JUN-POW-TIM GEH 21P



TE Part # 2151356-1
OCEAN_2.0_APPLICATOR-S-110F160F



TE Part # 2151356-2
OCEAN_2.0_APPLICATOR-S-110F160F



TE Part # 7-2151356-1
OCEAN_2.0_APPLICATOR-S-110F160F



TE Part # 7-2151356-2
OCEAN_2.0_APPLICATOR-S-110F160F



TE Part # 7-2151356-7
OCEAN_2.0_SPARE_PART_KIT-110F160F



TE Part # 2-2151356-2
OCEAN_2.0_APPLICATOR-S-110F160F



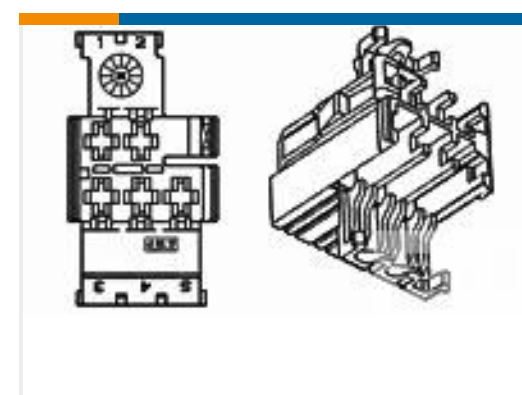
TE Part # 2-967623-3
JUN-POW TIM GEH 15P



TE Part # 3-967624-6
JUN-POW-TIM GEH 18P



TE Part # 927767-1
SPRING FOR JUNIOR POWER TIMER



TE Part # 1-282539-3
5 POS. JPT HSG

Also in the Series | Junior Timer



Automotive Housings(77)



Automotive Terminals(16)



PCB Headers & Receptacles(3)

Customers Also Bought



TE Part #DT04-4P-CL06
REC, 4P, BLK, E, FLANGE



TE Part #7-967570-3
2POS MQS TAB SEALED COD A



TE Part #4-1579007-3
EXTRACTION TOOL KIT



TE Part #2213763-7
AV19 DPL 3A NO LED



TE Part #1-967625-4
JUN-POW-TIM GEH 21P



TE Part #2-1418448-1
3 POS AMP MCP1.5k REC. HSG COD



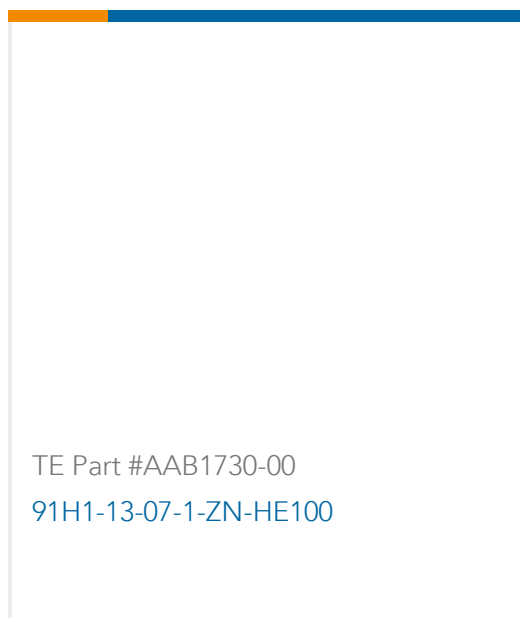
TE Part #927775-1
JPT REC 2.8 Contact SRC Sn



TE Part #EK4826-000
91H1-09-04-1-ZN-HE050



TE Part #EK4844-000
91H1-21-14-1-ZN-HE300



TE Part #AAB1730-00
91H1-13-07-1-ZN-HE100

Documents

Product Drawings

[JPT REC 2.8 Contact SRC Sn](#)

English

[JPT REC 2.8 Contact SRC Sn](#)

English

CAD Files

[Customer View Model](#)

[ENG_CVM_927773-1_A9.3d_igs.zip](#)



English

Customer View Model

[ENG_CVM_927773-1_A9.3d_stp.zip](#)

English

Customer View Model

[ENG_CVM_927773-1_A9.2d_dxf.zip](#)

English

3D PDF

English

By downloading the CAD file I accept and agree to the [Terms and Conditions](#) of use.

Datasheets & Catalog Pages

[Timer Interconnection System](#)

English

Product Specifications

[Application Specification](#)

English