



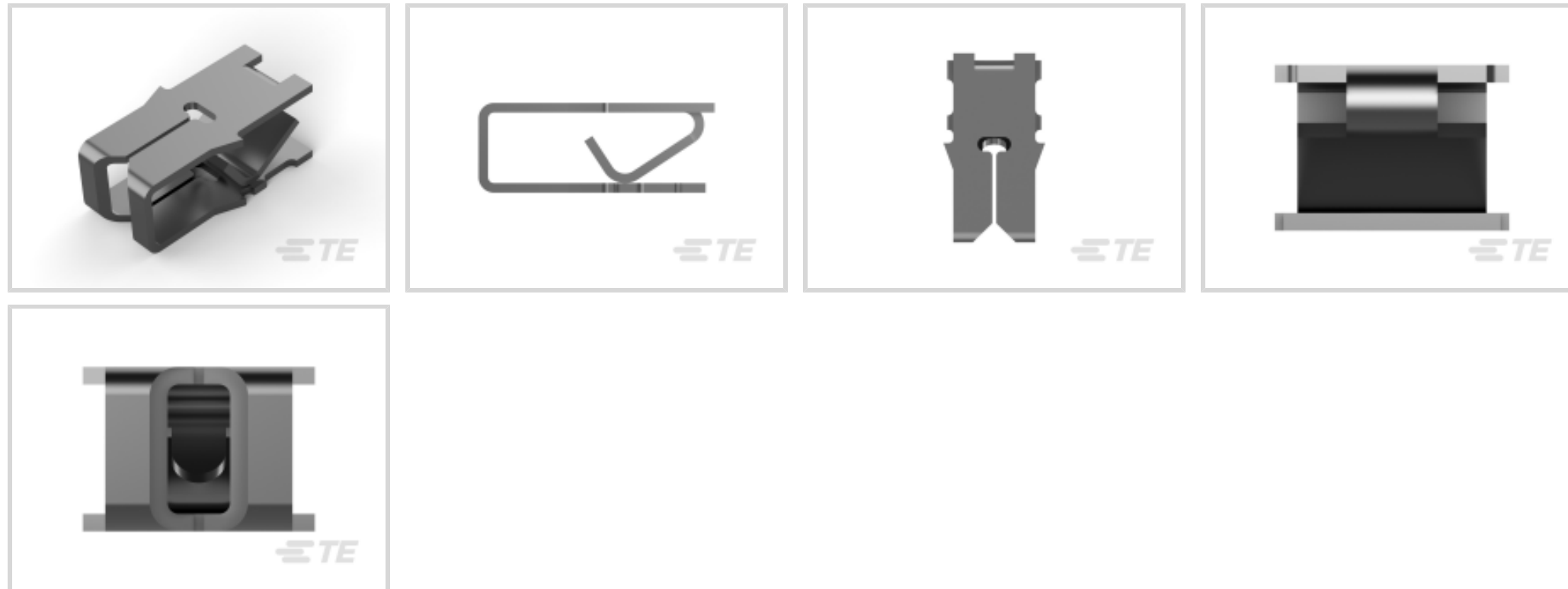
MAG-MATE

TE Internal #: 926851-2

Magnet Wire Terminals, Leaf, Mating Tab Width .134 in [3.4 mm],
 Size 2, .25 – .36 mm Magnet Wire, 30 – 27 AWG Magnet Wire,
 MAG-MATE

[View on TE.com >](#)

Terminals & Splices > Magnet Wire Terminals



Magnet Wire Terminal Type: **Leaf**

Mating Tab Width: **3.4 mm [.134 in]**

Mating Tab Thickness: **.5 mm [.02 in]**

Compatible With Cavity Size: **Size 2**

Magnet Wire Size: **30 – 27 AWG**

Features

Product Type Features

Compatible With Discrete Wire Type	Magnet Wire, Solid
------------------------------------	--------------------

Body Features

Compatible With Cavity Size	Size 2
-----------------------------	--------

Contact Features

Magnet Wire Terminal Type	Leaf
Mating Tab Width	3.4 mm[.134 in]
Mating Tab Thickness	.5 mm[.02 in]
Terminal Plating Material	Tin
Terminal Orientation	Twisted

Termination Features

Termination Method to Wire & Cable	Insulation Displacement (IDC)
------------------------------------	-------------------------------

Dimensions

Terminal Height	7.6 mm[.3 in]
-----------------	---------------



Magnet Wire Size	.25 – .36 mm
------------------	--------------

Stock Thickness (Magnet Wire Side)	.32 mm[.013 in]
------------------------------------	-----------------

Product Length	7.6 mm[.3 in]
----------------	---------------

Usage Conditions

Insulation Option	Uninsulated
-------------------	-------------

Operating Temperature Range	-65 – 150 °C[-85 – 302 °F]
-----------------------------	----------------------------

Operation/Application

Compatible With Wire Base Material	Copper
------------------------------------	--------

Identification Marking

Identification Number	6
-----------------------	---

Packaging Features

Packaging Quantity	15000
--------------------	-------

Packaging Method	Reel, Reel/Carton
------------------	-------------------

Other

Terminals & Splices Comment	Two magnet wires may be terminated in same terminal if diameters are equal (max. diameter .55mm), Two magnet wires may be terminated in same terminal if diameters are equal (max. diameter 0.55 mm)
-----------------------------	--

Product Compliance

[For compliance documentation, visit the product page on TE.com>](#)

EU RoHS Directive 2011/65/EU	Compliant
------------------------------	-----------

EU ELV Directive 2000/53/EC	Compliant
-----------------------------	-----------

China RoHS 2 Directive MIIT Order No 32, 2016	No Restricted Materials Above Threshold
---	---

EU REACH Regulation (EC) No. 1907/2006	Current ECHA Candidate List: JUNE 2023 (235) Candidate List Declared Against: JUNE 2023 (235) Does not contain REACH SVHC
--	---

Halogen Content	Low Halogen - Br, Cl, F, I < 900 ppm per homogenous material. Also BFR/CFR/PVC Free
-----------------	---

Solder Process Capability	Not applicable for solder process capability
---------------------------	--

This information is provided based on reasonable inquiry of our suppliers and represents our current actual knowledge based on the information they provided. This information is subject to change. The part numbers that TE has identified as EU RoHS compliant have a maximum concentration of 0.1% by weight in homogenous materials for lead, hexavalent chromium, mercury, PBB, PBDE, DBP, BBP, DEHP, DIBP, and 0.01% for cadmium, or qualify for an exemption to these limits as defined in the Annexes of Directive 2011/65/EU (RoHS2). Finished electrical and electronic equipment products will be CE marked as required by Directive 2011/65/EU. Components may not be CE marked. Additionally, the part numbers that TE has identified as EU ELV compliant have a maximum concentration of 0.1% by weight in homogenous materials for lead, hexavalent chromium, and mercury, and 0.01% for cadmium, or qualify for an exemption to these limits as defined in the Annexes of Directive 2000/53/EC (ELV). Regarding the REACH Regulation, the information TE provides on SVHC in articles for this part number is based on the latest European Chemicals Agency (ECHA) 'Guidance on requirements for substances in articles' posted at this URL: <https://echa.europa.eu/guidance-documents/guidance-on-reach>

Compatible Parts

 <p>TE Part # 926852-2 MAG MATE LEAF KONT</p>	 <p>TE Part # 62429-1 MAG-MATE TERM 27-30 013TPBR</p>	 <p>TE Part # 928770-2 MAG-MATE LEAF CONT.</p>	 <p>TE Part # 964337-2 CODE WIRE SIZE : 4</p>
 <p>TE Part # 926850-2 MAG MATE LEAF KONT</p>	 <p>TE Part # 926850-1 MAG MATE LEAF KONT</p>	 <p>TE Part # 926851-4 MAG-MATE LEAF KONT</p>	 <p>TE Part # 926851-1 MAG MATE LEAF KONT</p>
 <p>TE Part # 1534110-1 MAG-MATE KONT M.FED</p>	 <p>TE Part # 2-964338-2 MAG MATE CONTACT MK II</p>	 <p>TE Part # 926850-7 MAG-MATE LEAF KONT</p>	 <p>TE Part # 964108-2 MAG-MATE KONTAKT</p>

Also in the Series | **MAG-MATE**



Insertion & Extraction Tools(6)

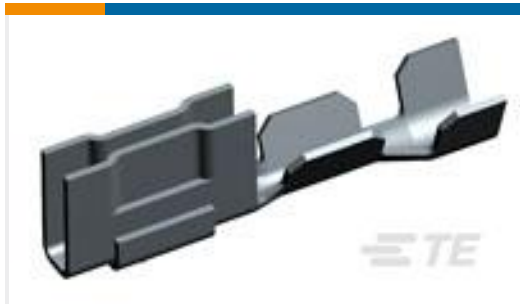


Magnet Wire Terminals(435)



PCB Terminals(1)

Customers Also Bought



TE Part #1375819-1
CST-100 II CONTACT TIN PLT



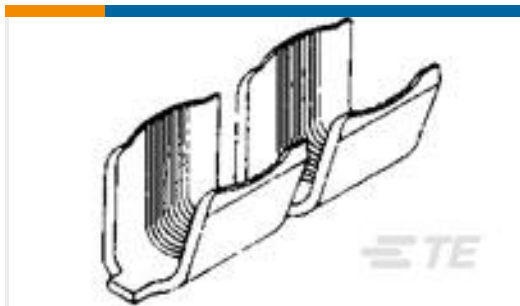
TE Part #5052994073
RNF-100-1/8-0-SP



TE Part #650127-000
D-436-83



TE Part #926896-3
UNIV.M-N-L.PIN



TE Part #280002-1
AMPLIVAR SPLICE



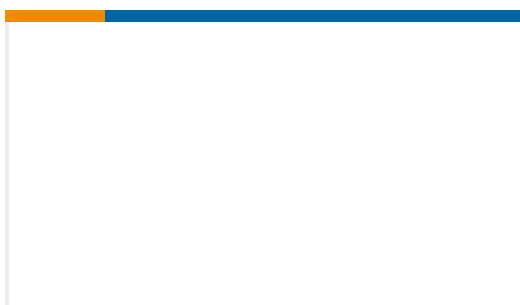
TE Part #926851-4
MAG-MATE LEAF KONT



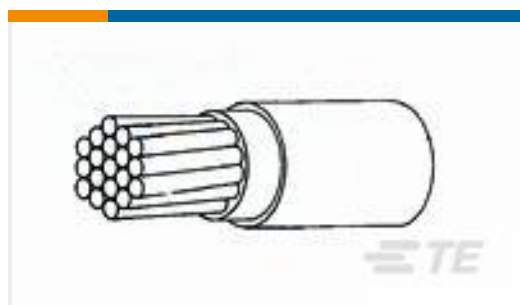
TE Part #825437-3
MOD 2 PINHDR 1X03P.



TE Part #6281793002
FLDWC0311-26-0



TE Part #659795-2
FEED FINGER



TE Part #CD21303001
44A0111-24-OCK2000

Documents

Product Drawings

MAG MATE LEAF KONT

English

CAD Files

3D PDF

English

Customer View Model

ENG_CVM_926851-2_B.2d_dxf.zip



English

Customer View Model

[ENG_CVM_926851-2_B.3d_igs.zip](#)

English

Customer View Model

[ENG_CVM_926851-2_B.3d_stp.zip](#)

English

3D PDF

3D

Customer View Model

[ENG_CVM_CVM_926851-2_C.2d_dxf.zip](#)

English

Customer View Model

[ENG_CVM_CVM_926851-2_C.3d_igs.zip](#)

English

Customer View Model

[ENG_CVM_CVM_926851-2_C.3d_stp.zip](#)

English

By downloading the CAD file I accept and agree to the [Terms and Conditions](#) of use.

Datasheets & Catalog Pages

[Magnet Wire Terminals & Splices](#)

English

Product Specifications

[Application Specification](#)

English

Product Environmental Compliance

[TE Material Declaration](#)

English