



Terminals & Splices > Crimp Wire Pins, Tabs & Ferrules



Crimp Wire Terminal Type: **Pin**

Wire Size: **1021 – 2048 CMA**

Barrel Type: **Open**

## Features

### Product Type Features

|                                    |          |
|------------------------------------|----------|
| Compatible With Discrete Wire Type | Stranded |
|------------------------------------|----------|

### Configuration Features

|                                   |               |
|-----------------------------------|---------------|
| Compatible With Wire & Cable Type | Discrete Wire |
|-----------------------------------|---------------|

### Contact Features

|                           |          |
|---------------------------|----------|
| Crimp Wire Terminal Type  | Pin      |
| Barrel Type               | Open     |
| Terminal Plating Material | Pre-Tin  |
| Terminal Orientation      | Straight |

### Mechanical Attachment

|                         |         |
|-------------------------|---------|
| Wire Insulation Support | Without |
|-------------------------|---------|

### Dimensions

|                             |                 |
|-----------------------------|-----------------|
| Wire Size                   | 1021 – 2048 CMA |
| Terminal Material Thickness | .33 mm[.013 in] |
| Overall Product Length      | 7 mm[.275 in]   |

### Usage Conditions

|                   |             |
|-------------------|-------------|
| Insulation Option | Uninsulated |
|-------------------|-------------|



### Packaging Features

|                    |       |
|--------------------|-------|
| Packaging Quantity | 40000 |
| Packaging Method   | Reel  |

### Other

|                             |  |
|-----------------------------|--|
| Terminals & Splices Comment | According to DIN 46228, Part 2., Splice Free |
|-----------------------------|--|

### Product Compliance

[For compliance documentation, visit the product page on TE.com>](#)

|   |   |
|---|---|
| EU RoHS Directive 2011/65/EU                  | Compliant   |
| EU ELV Directive 2000/53/EC                   | Compliant   |
| China RoHS 2 Directive MIIT Order No 32, 2016 | No Restricted Materials Above Threshold   |
| EU REACH Regulation (EC) No. 1907/2006        | Current ECHA Candidate List: JUNE 2023 (235)<br>Candidate List Declared Against: JUNE 2023 (235)<br>Does not contain REACH SVHC |
| Halogen Content                               | Low Halogen - Br, Cl, F, I < 900 ppm per homogenous material. Also BFR/CFR/PVC Free   |
| Solder Process Capability                     | Not applicable for solder process capability  |

#### Product Compliance Disclaimer

This information is provided based on reasonable inquiry of our suppliers and represents our current actual knowledge based on the information they provided. This information is subject to change. The part numbers that TE has identified as EU RoHS compliant have a maximum concentration of 0.1% by weight in homogenous materials for lead, hexavalent chromium, mercury, PBB, PBDE, DBP, BBP, DEHP, DIBP, and 0.01% for cadmium, or qualify for an exemption to these limits as defined in the Annexes of Directive 2011/65/EU (RoHS2). Finished electrical and electronic equipment products will be CE marked as required by Directive 2011/65/EU. Components may not be CE marked. Additionally, the part numbers that TE has identified as EU ELV compliant have a maximum concentration of 0.1% by weight in homogenous materials for lead, hexavalent chromium, and mercury, and 0.01% for cadmium, or qualify for an exemption to these limits as defined in the Annexes of Directive 2000/53/EC (ELV). Regarding the REACH Regulation, the information TE provides on SVHC in articles for this part number is based on the latest European Chemicals Agency (ECHA) 'Guidance on requirements for substances in articles' posted at this URL: <https://echa.europa.eu/guidance-documents/guidance-on-reach>

### Compatible Parts



TE Part # 926867-2  
AM WIRE PIN 13-10 .013 PTPB



TE Part # 1-925552-0  
AM WIRE PIN 20-17 AWG .0126 PTPPB



TE Part # 1725724-2  
DIE SET .5-1.0MM WIRE PIN



TE Part # 2-2150219-1  
OCEAN\_2.0\_APPLICATOR-E-080F



TE Part # 2-2150219-2  
OCEAN\_2.0\_APPLICATOR-E-080FA



TE Part # 2150219-1  
OCEAN\_2.0\_APPLICATOR-E-080F



TE Part # 2150219-2  
OCEAN\_2.0\_APPLICATOR-E-080FA



TE Part # 7-2150219-1  
OCEAN\_2.0\_APPLICATOR-E-080F



TE Part # 7-2150219-2  
OCEAN\_2.0\_APPLICATOR-E-080FA



TE Part # 7-2150219-7  
OCEAN\_2.0\_SPARE\_PART\_KIT-080F

### Customers Also Bought



TE Part #8-6609107-1  
PS0S0DSXB=C1265



TE Part #4-1393240-5  
RT334012



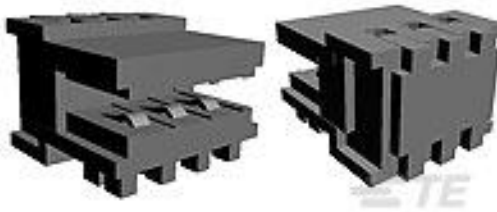
TE Part #926298-6  
UNML PLUG 4WAY



TE Part #171825-3  
POST HEADER ASSY EI SRS 3POS



TE Part #5-160430-7  
187 FASTON REC 20-16 AWG TPBR



TE Part #3-829868-3  
16X 3P FEDERLEI 2,5



TE Part #1-1414761-0  
V23086C1001A403-EV-BLBOX



TE Part #LICAL-DEC-MS001  
Decoder MS IC Chip RC Protocol T&R



## Documents

### Product Drawings

[AM WIRE PIN 20-17 .013 PTPB](#)

English

### CAD Files

Customer View Model

[ENG\\_CVM\\_CVM\\_926823-4\\_D.2d\\_dxf.zip](#)

English

[3D PDF](#)

3D

Customer View Model

[ENG\\_CVM\\_CVM\\_926823-4\\_D.3d\\_igs.zip](#)

English

Customer View Model

[ENG\\_CVM\\_CVM\\_926823-4\\_D.3d\\_stp.zip](#)

English

By downloading the CAD file I accept and agree to the [Terms and Conditions](#) of use.

### Product Specifications

[Application Specification](#)

English

### Product Environmental Compliance

[Product Compliance](#)

English

[Product Compliance](#)

English