

926681-3 ✓ ACTIVE

MATE-N-LOK | Universal MATE-N-LOK

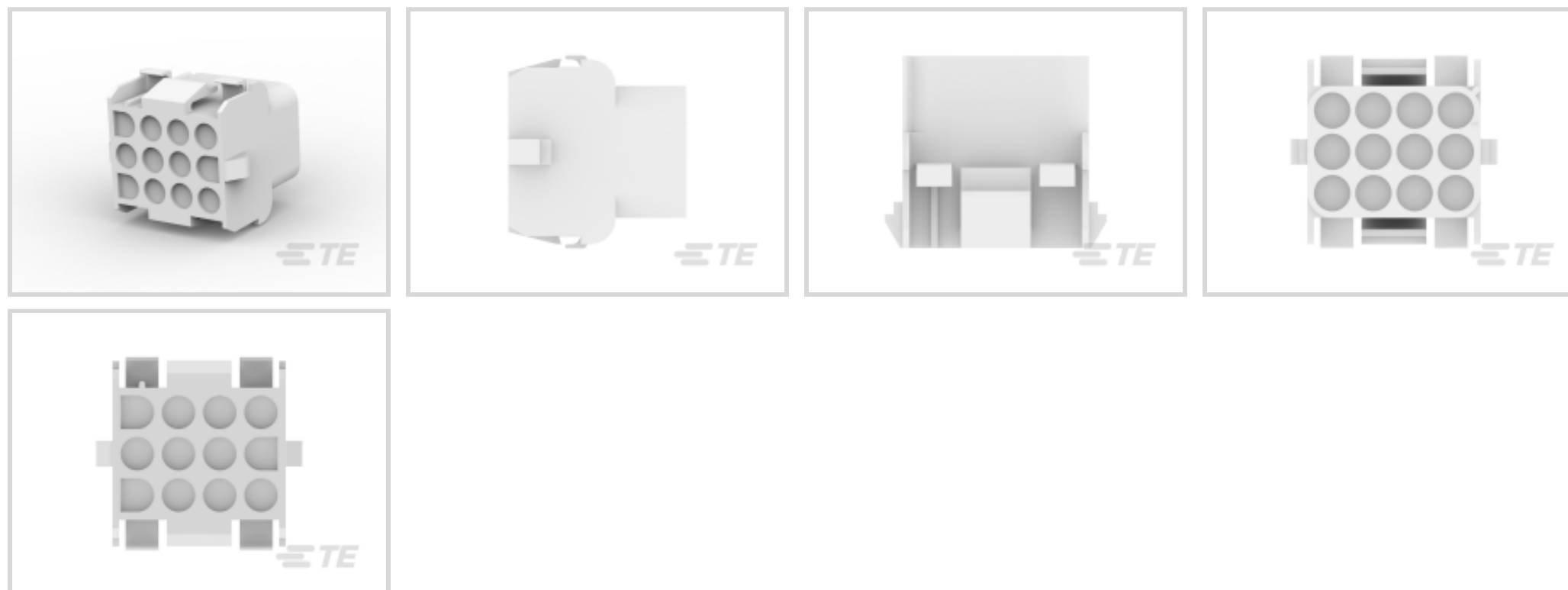
TE Internal #: 926681-3

Rectangular Power Connectors, Housing, Receptacle, Wire-to-Panel / Wire-to-Wire, 12 Position, 6.35 mm [.25 in] Centerline, Universal MATE-N-LOK

[View on TE.com >](#)



Connectors > Power Connectors > Rectangular Power > Rectangular Power Connectors



Rectangular Power Connector Type: **Housing**

Connector & Housing Type: **Receptacle**

Connector System: **Wire-to-Panel, Wire-to-Wire**

Number of Positions: **12**

Centerline (Pitch): **6.35 mm [.25 in]**

## Features

### Product Type Features

Rectangular Power Connector Type	Housing
Connector & Housing Type	Receptacle
Connector System	Wire-to-Panel, Wire-to-Wire
Sealable	No
Connector & Contact Terminates To	Wire & Cable

### Configuration Features

Number of Positions	12
Number of Rows	3

### Electrical Characteristics

Operating Voltage	600 VAC
-------------------	---------

### Contact Features

Multiple Contact Types	Without
Contact Layout	Matrix
Contact Retention Within Housing	Without



Contact Type	Pin
--------------	-----

### Termination Features

Termination Method to Wire & Cable	Crimp
------------------------------------	-------

### Mechanical Attachment

Panel Mount Feature	With
---------------------	------

Panel Mount Feature Type	Patch & Tabs
--------------------------	--------------

Connector Mounting Type	Panel Mount
-------------------------	-------------

### Housing Features

Centerline (Pitch)	6.35 mm [.25 in]
--------------------	------------------

Housing Color	Natural
---------------	---------

Housing Material	PA 6.6
------------------	--------

### Dimensions

Panel Thickness (Recommended)	.76 – 2.29 mm [.76 – 2.29 in]
-------------------------------	-------------------------------

Row-to-Row Spacing	6.35 mm [.25 in]
--------------------	------------------

### Usage Conditions

Operating Temperature Range	-55 – 105 °C [-67 – 221 °F]
-----------------------------	-----------------------------

### Operation/Application

Circuit Application	Power & Signal
---------------------	----------------

### Industry Standards

CSA Rating	Certified, LR 7189
------------	--------------------

UL Rating	Recognized
-----------	------------

Agency/Standard	CSA, UL, VDE
-----------------	--------------

Approved Standards	UL E28476
--------------------	-----------

UL Flammability Rating	UL 94V-0
------------------------	----------

Glow Wire Rating	Standard Part - Not Glow Wire
------------------	-------------------------------

### Packaging Features

Packaging Quantity	900
--------------------	-----

Packaging Method	Bag
------------------	-----

### Product Compliance

[For compliance documentation, visit the product page on TE.com>](#)



EU RoHS Directive 2011/65/EU	Compliant
EU ELV Directive 2000/53/EC	Compliant
China RoHS 2 Directive MIIT Order No 32, 2016	No Restricted Materials Above Threshold
EU REACH Regulation (EC) No. 1907/2006	Current ECHA Candidate List: JUNE 2023 (235) Candidate List Declared Against: JUNE 2023 (235) Does not contain REACH SVHC
Halogen Content	Low Halogen - Br, Cl, F, I < 900 ppm per homogenous material. Also BFR/CFR/PVC Free
Solder Process Capability	Not applicable for solder process capability

Product Compliance Disclaimer

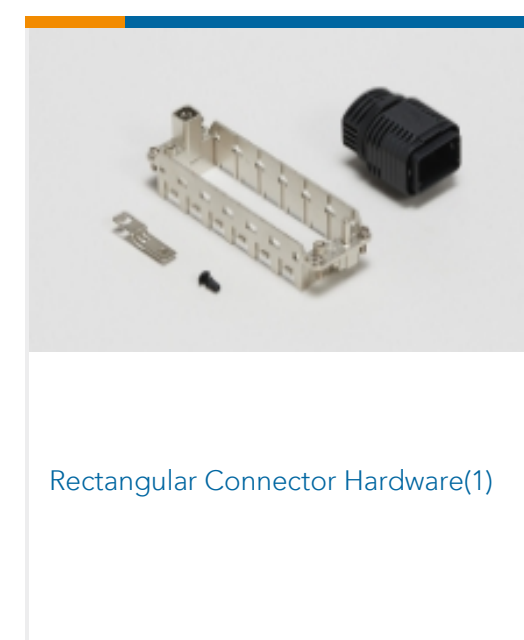
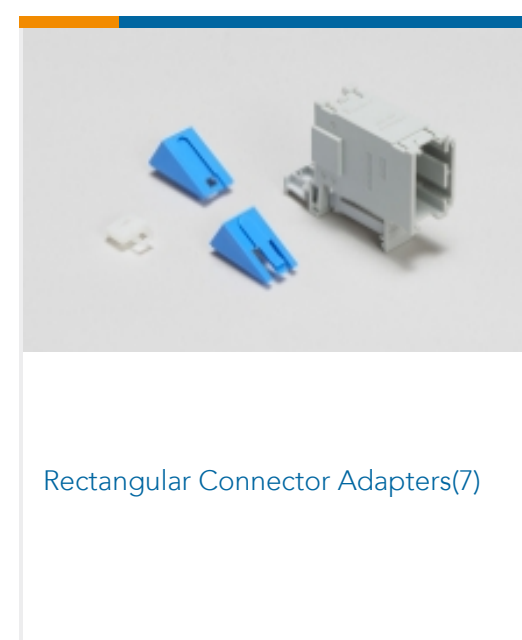
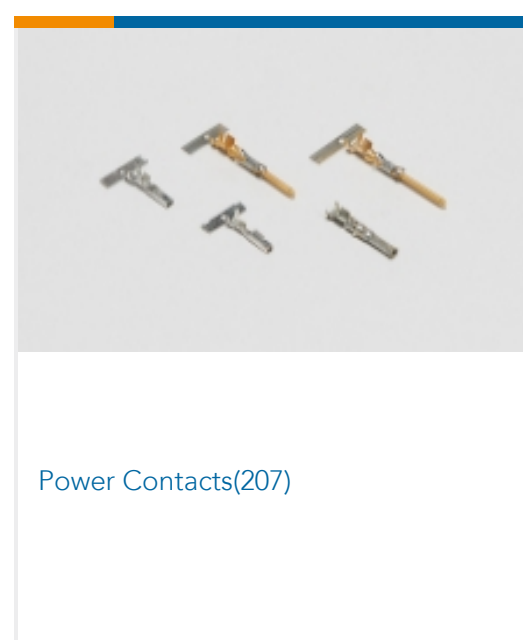
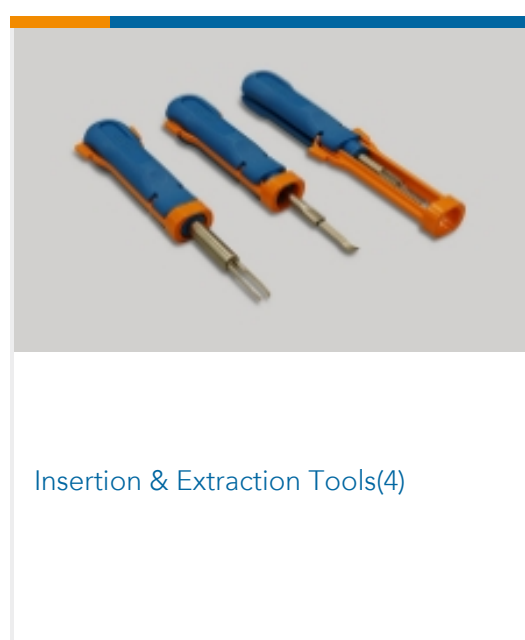
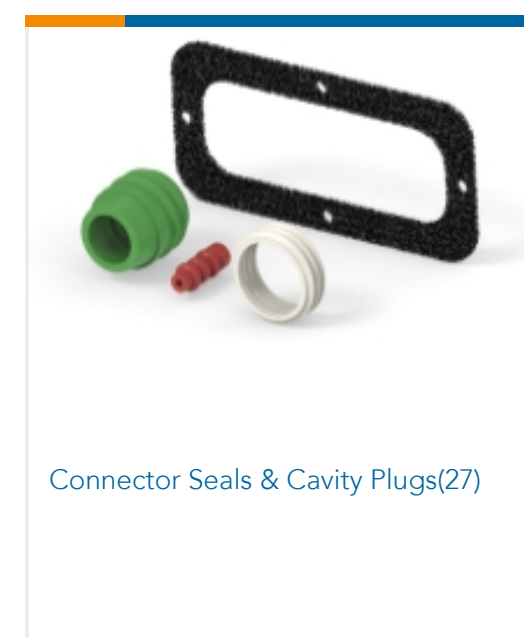
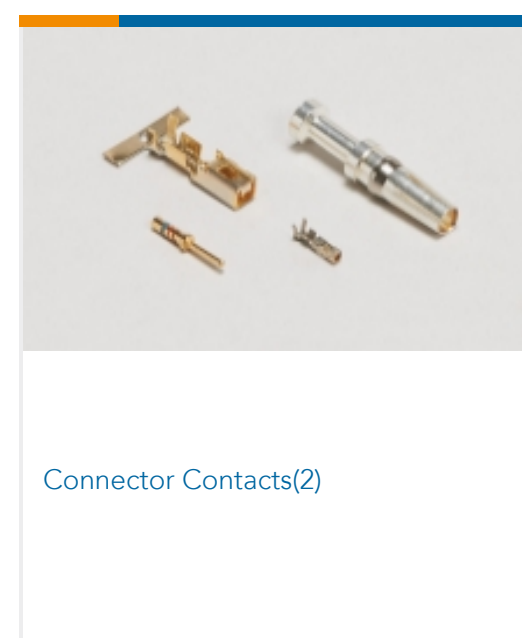
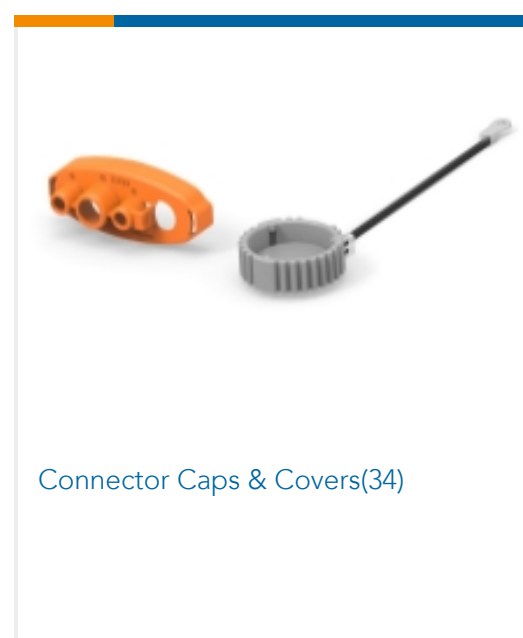
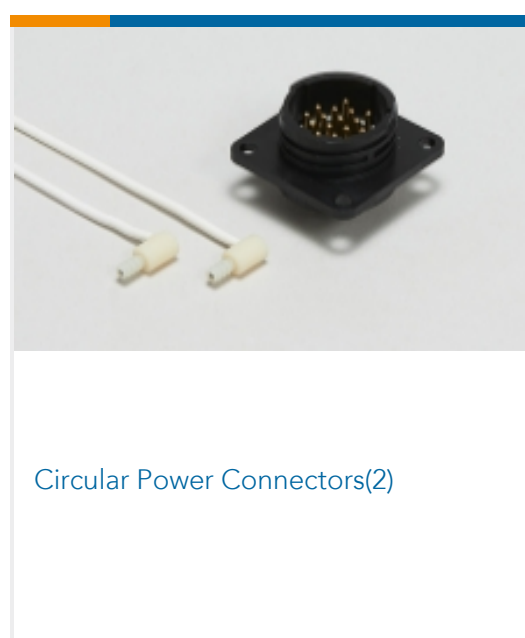
This information is provided based on reasonable inquiry of our suppliers and represents our current actual knowledge based on the information they provided. This information is subject to change. The part numbers that TE has identified as EU RoHS compliant have a maximum concentration of 0.1% by weight in homogenous materials for lead, hexavalent chromium, mercury, PBB, PBDE, DBP, BBP, DEHP, DIBP, and 0.01% for cadmium, or qualify for an exemption to these limits as defined in the Annexes of Directive 2011/65/EU (RoHS2). Finished electrical and electronic equipment products will be CE marked as required by Directive 2011/65/EU. Components may not be CE marked. Additionally, the part numbers that TE has identified as EU ELV compliant have a maximum concentration of 0.1% by weight in homogenous materials for lead, hexavalent chromium, and mercury, and 0.01% for cadmium, or qualify for an exemption to these limits as defined in the Annexes of Directive 2000/53/EC (ELV). Regarding the REACH Regulation, the information TE provides on SVHC in articles for this part number is based on the latest European Chemicals Agency (ECHA) 'Guidance on requirements for substances in articles' posted at this URL: <https://echa.europa.eu/guidance-documents/guidance-on-reach>

## Compatible Parts

 <p>TE Part # 350737-4 12P UMNL PIN HDR ASSY 94VO LF</p>	 <p>TE Part # 350829-4 12P UMNL HDR ASSY PC 94VO LF</p>	 <p>TE Part # 770041-1 12P UMNL II PLUG-FRONT 94VO</p>	 <p>TE Part # 350433-4 12P UMNL PIN HDR ASSY NATL LF</p>
 <p>TE Part # 350737-1 12P UMNL PIN HDR ASSY 94VO</p>	 <p>TE Part # 350587-1 12P UMNL PIN HDR ASSY V2 NATL</p>	 <p>TE Part # 1-480708-9 12P UMNL PLUG HSG BLK</p>	 <p>TE Part # 350784-1 15P UMNL CAP HSG</p>



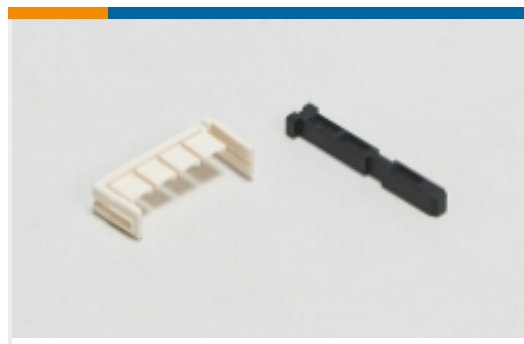
## Also in the Series | Universal MATE-N-LOK







Rectangular Connector Housings(1)



Rectangular Connector Keying Plugs(3)

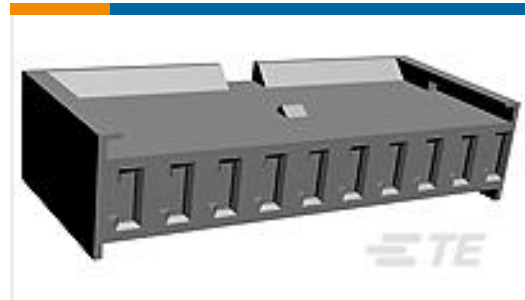


Rectangular Connector Locking(8)



Rectangular Power Connectors(672)

## Customers Also Bought



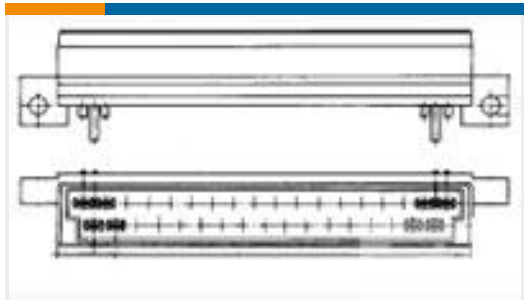
TE Part #280594  
AMP MODU MOD I RECEPT HSG



TE Part #176281-1  
UNIV POWER CAP HSG 1P F/H



TE Part #175193-1  
187 PL EX FLAG REC. 22-16AWG PTBR



TE Part #825213-2  
35P MESSERLEISTE



TE Part #8-1768016-7  
CSL-03425P-9



TE Part #ER2165-000  
RPS-CT-50M-4.8-OUT-0



TE Part #925076-6  
4W CIRCULAR MATE-N-LOK SOCKET HSG NAT



TE Part #2-1644125-3  
SLEEVE ESPRING 250 NYLON DARK GRY



TE Part #EL8085-000  
D-CT-50M-6.4-OUT-9



TE Part #EL8095-000  
D-CT-50M-9.5-OUT-4

## Documents

**Product Drawings**  
[12P UNIV.CAP HSG.](#)

English

**CAD Files**

[3D PDF](#)

English

**Customer View Model**

[ENG\\_CVM\\_926681-3\\_B2.2d\\_dxf.zip](#)



English

Customer View Model

[ENG\\_CVM\\_926681-3\\_B2.3d\\_igs.zip](#)

English

Customer View Model

[ENG\\_CVM\\_926681-3\\_B2.3d\\_stp.zip](#)

English

[3D PDF](#)

3D

Customer View Model

[ENG\\_CVM\\_CVM\\_926681-3\\_B.2d\\_dxf.zip](#)

English

Customer View Model

[ENG\\_CVM\\_CVM\\_926681-3\\_B.3d\\_igs.zip](#)

English

Customer View Model

[ENG\\_CVM\\_CVM\\_926681-3\\_B.3d\\_stp.zip](#)

English

By downloading the CAD file I accept and agree to the [Terms and Conditions](#) of use.

---

### Product Specifications

[Application Specification](#)

German

---

### Product Environmental Compliance

[Product Compliance](#)

English

[Product Compliance](#)

English