

926330-1 ✓ ACTIVE

[Positive Lock](#) | [Positive Lock 250](#)

TE Internal #: 926330-1

Crimp Terminal Housings, Receptacle, Receptacle, 6 Position,
Straight, UL 94V-0, Black, Polyamide 6.6 GF, Mating Alignment,
Positive Lock 250

[View on TE.com >](#)



Terminals & Splices > Terminal Housings, Insulation Sleeves & Blocks > Crimp Terminal Housings



Terminal Type: **Receptacle**

Connector & Housing Type: **Receptacle**

Number of Positions: **6**

Terminal Orientation: **Straight**

UL Flammability Rating: **UL 94V-0**

Features

Product Type Features

Sealable	No
Connector & Housing Type	Receptacle

Configuration Features

Number of Positions	6
---------------------	---

Body Features

Primary Product Color	Black
-----------------------	-------

Contact Features

Terminal Type	Receptacle
Terminal Orientation	Straight
Contact Mating Retention	Without

Mechanical Attachment

Mating Alignment Type	Polarization
Mating Alignment	With



Connector Mounting Type	Cable Mount (Free-Hanging)
-------------------------	----------------------------

Housing Features

Housing Material	Polyamide 6.6 GF
Centerline (Pitch)	9.1 mm[.358 in]

Usage Conditions

Operating Temperature Range	-40 – 105 °C[-40 – 221 °F]
-----------------------------	----------------------------

Industry Standards

UL Flammability Rating	UL 94V-0
------------------------	----------

Packaging Features

Packaging Quantity	1000
Packaging Method	Carton

Product Compliance

[For compliance documentation, visit the product page on TE.com>](#)

EU RoHS Directive 2011/65/EU	Compliant
EU ELV Directive 2000/53/EC	Compliant
China RoHS 2 Directive MIIT Order No 32, 2016	No Restricted Materials Above Threshold
EU REACH Regulation (EC) No. 1907/2006	Current ECHA Candidate List: JUNE 2023 (235) Candidate List Declared Against: JAN 2021 (211) Does not contain REACH SVHC
Halogen Content	Low Halogen - Br, Cl, F, I < 900 ppm per homogenous material. Also BFR/CFR/PVC Free
Solder Process Capability	Not applicable for solder process capability

Product Compliance Disclaimer

This information is provided based on reasonable inquiry of our suppliers and represents our current actual knowledge based on the information they provided. This information is subject to change. The part numbers that TE has identified as EU RoHS compliant have a maximum concentration of 0.1% by weight in homogenous materials for lead, hexavalent chromium, mercury, PBB, PBDE, DBP, BBP, DEHP, DIBP, and 0.01% for cadmium, or qualify for an exemption to these limits as defined in the Annexes of Directive 2011/65/EU (RoHS2). Finished electrical and electronic equipment products will be CE marked as required by Directive 2011/65/EU. Components may not be CE marked. Additionally, the part numbers that TE has identified as EU ELV compliant have a maximum concentration of 0.1% by weight in homogenous materials for lead, hexavalent chromium, and mercury, and 0.01% for cadmium, or qualify for an exemption to these limits as defined in the Annexes of Directive 2000/53/EC (ELV). Regarding the REACH Regulation, the information TE provides on SVHC in articles for this part number is based on the latest European Chemicals Agency (ECHA) 'Guidance on requirements for substances in articles' posted at this URL: <https://echa.europa.eu/guidance-documents/guidance-on-reach>

Compatible Parts



TE Part # 926646-1
PL 250 REC HSG 8P NYLON BLACK



TE Part # 926526-1
PL MKI 250 REC HSG 5P NYLON BLACK



TE Part # 926523-1
3P.POS.LOCK HSG



TE Part # 927076-1
PL HOUSING 0.6 PA 6.6 + PE-GF13 BLACK



TE Part # 2-154719-0
PL 250 REC HSG 1P NYLON RED



TE Part # 4-154719-0
POSITIVE LOCK (PL) RECEPTACLE



TE Part # 926330-3
6P POS-LOCK BU GEH



TE Part # 926330-8
6P POS-LOCK BU GEH



TE Part # 926646-8
PL 250 8P HOUSING PA6.6 ZYTEL 101 WHITE



TE Part # 100100-1
2 POS POSITIVE LOCK (PL) HOUSING




TE Part # 926524-1
PL 2P HOUSING PA6.6 ZYTEL 101 BLACK

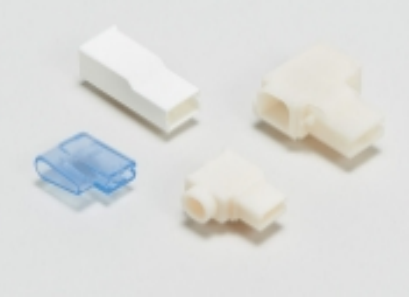


TE Part # 926646-4
8P POS-LOCK GEH 6,3


Also in the Series | Positive Lock 250



Automotive Terminals(1)




Crimp Terminal Housings(193)



Insertion & Extraction Tools(3)



Insulation Boots & Sleeves(4)



Quick Disconnects(186)

Customers Also Bought



TE Part #1-962349-1
Timer Connector Housing



TE Part #208484-1
CMC PLUG ASSEMBLY, SZ 28



TE Part #66261-5
MALE CONTACT ASSY. (L.P.)



TE Part #206226-1
CPC PLUG ASSEMBLY SIZE 23-7



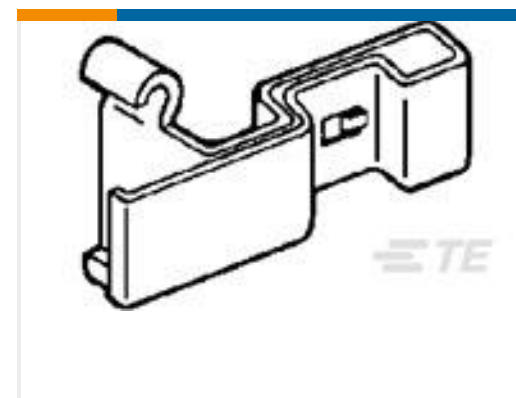
TE Part #1379217-1
5POS MIXED MQS REC COD Z



TE Part #1-962919-2
TAB 5.8x0.8 CONTACT CS SWS Ag



TE Part #WHDS-24-1
STRAIN RELIEF, HD30, 24SZ, ST



TE Part #745779-3
SPRING LATCH, BULK PKG



TE Part #453806-1
CRIMPER, WIRE-.110 WIDE F

Documents

Product Drawings

[PL 250 REC HSG 6P NYLON BLACK](#)

English

CAD Files

Customer View Model

[ENG_CVM_CVM_926330-1_F.2d_dxf.zip](#)

English

[3D PDF](#)

3D

Customer View Model

[ENG_CVM_CVM_926330-1_F.3d_igs.zip](#)

English

Customer View Model

[ENG_CVM_CVM_926330-1_F.3d_stp.zip](#)

English

By downloading the CAD file I accept and agree to the [Terms and Conditions](#) of use.



Agency Approvals

CSA Certificate

English

CSA Certificate

English