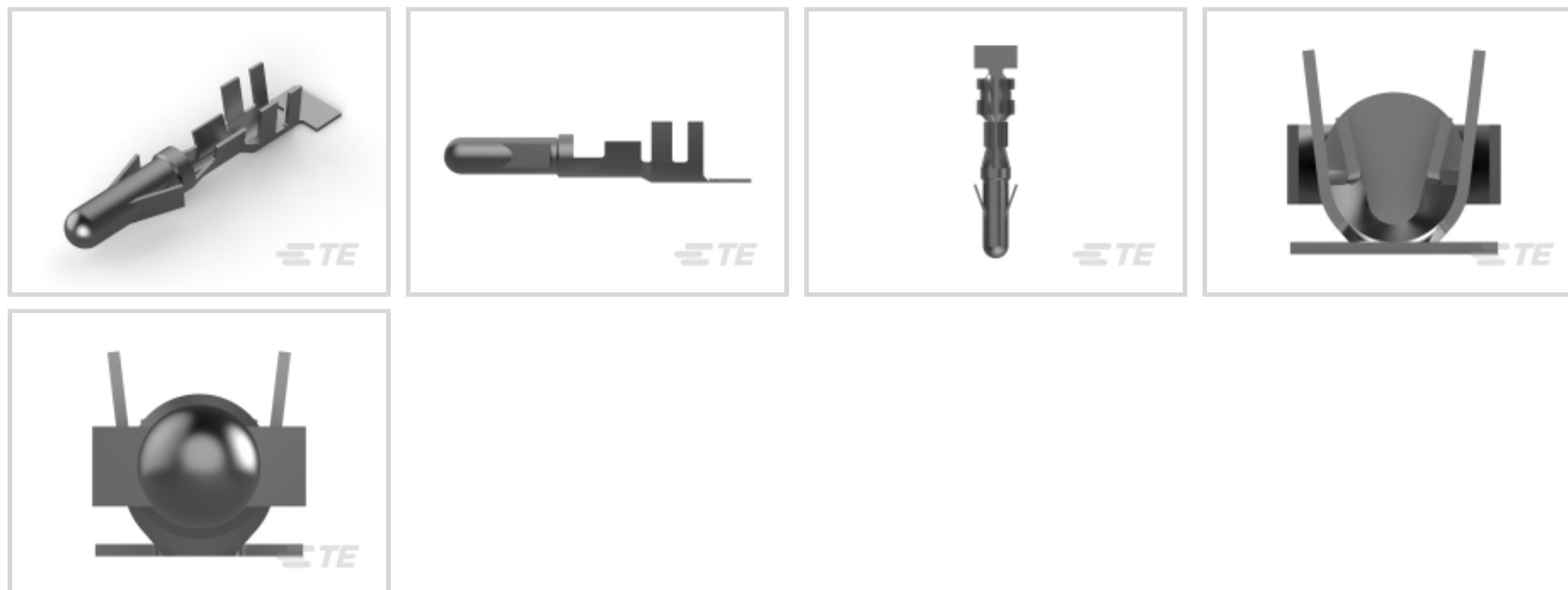




Connectors > Power Connectors > Power Contacts



Power Contact Type: **Contact**

Operating Voltage: **250 VAC**

Contact Mating Area Plating Material: **Tin**

Wire Size: **.5 – 2 mm²**

Features

Product Type Features

Power Contact Type	Contact
Connector & Contact Terminates To	Wire & Cable

Electrical Characteristics

Operating Voltage	250 VAC
-------------------	---------

Contact Features

Contact Mating Area Plating Material	Tin
Contact Current Rating (Max)	17 A
Contact Type	Pin
Contact Retention Within Housing	With
Mating Pin Diameter	3.56 mm[.14 in]
Contact Base Material	Phosphor Bronze
Wire Contact Termination Area Plating Thickness	3 μm[118.1 μin]
Wire Contact Termination Area Plating Material	Pre-Tin
Wire Contact Termination Area Plating Material Finish	Matte
Contact Orientation	Straight



Termination Features

Termination Method to Wire & Cable	Crimp
------------------------------------	-------

Mechanical Attachment

Contact Retention Type Within Housing	Locking Lance
Wire Insulation Support	With

Dimensions

Wire Size	.5 – 2 mm ²
Compatible Insulation Diameter Range	2.5 – 4.5 mm [.098 – .177 in]

Usage Conditions

Operating Temperature Range	-55 – 105 °C [-67 – 221 °F]
-----------------------------	-----------------------------

Operation/Application

Circuit Application	Power
---------------------	-------

Packaging Features

Packaging Quantity	2500
Packaging Method	Reel

Other

Power Connectors Comment	For Ambient Temperatures up to 120°C.
--------------------------	---------------------------------------

Product Compliance

[For compliance documentation, visit the product page on TE.com>](#)

EU RoHS Directive 2011/65/EU	Compliant
EU ELV Directive 2000/53/EC	Compliant
China RoHS 2 Directive MIIT Order No 32, 2016	No Restricted Materials Above Threshold
EU REACH Regulation (EC) No. 1907/2006	Current ECHA Candidate List: JUNE 2023 (235) Candidate List Declared Against: JUNE 2023 (235) Does not contain REACH SVHC
Halogen Content	Low Halogen - Br, Cl, F, I < 900 ppm per homogenous material. Also BFR/CFR/PVC Free
Solder Process Capability	Not applicable for solder process capability

Product Compliance Disclaimer



This information is provided based on reasonable inquiry of our suppliers and represents our current actual knowledge based on the information they provided. This information is subject to change. The part numbers that TE has identified as EU RoHS compliant have a maximum concentration of 0.1% by weight in homogenous materials for lead, hexavalent chromium, mercury, PBB, PBDE, DBP, BBP, DEHP, DIBP, and 0.01% for cadmium, or qualify for an exemption to these limits as defined in the Annexes of Directive 2011/65/EU (RoHS2). Finished electrical and electronic equipment products will be CE marked as required by Directive 2011/65/EU. Components may not be CE marked. Additionally, the part numbers that TE has identified as EU ELV compliant have a maximum concentration of 0.1% by weight in homogenous materials for lead, hexavalent chromium, and mercury, and 0.01% for cadmium, or qualify for an exemption to these limits as defined in the Annexes of Directive 2000/53/EC (ELV). Regarding the REACH Regulation, the information TE provides on SVHC in articles for this part number is based on the latest European Chemicals Agency (ECHA) 'Guidance on requirements for substances in articles' posted at this URL: <https://echa.europa.eu/guidance-documents/guidance-on-reach>

Compatible Parts



TE Part # 1-480586-0
09P .140 MNL CAP NAT



TE Part # 1-350347-0
03P .140 MNL CAP PM NAT



TE Part # 1-480673-0
09P .140 MNL CAP PM NAT



TE Part # 1-350345-0
02P .140 MNL CAP P/M NAT



TE Part # 2305570-1
Strip Terminal Cutter-Side Feed-No Crimp



TE Part # 1-480512-0
04P .140 MNL CAP NAT



TE Part # 794683-1
09P .140 MNL CAP BLK HT



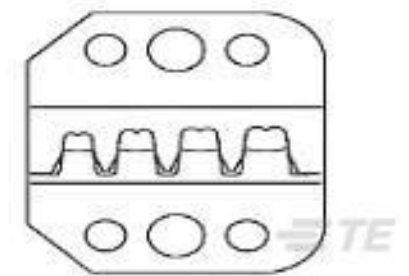
TE Part # 539764-1
EXTRACTION TOOL



TE Part # 880125
9 CIR CAP 140DIA PANEL MT NAT



TE Part # 925450-1
M-N-L PIN HSG



TE Part # 1752938-2
SDE DIE SET 3.5 MM MNL



TE Part # 2-2151320-1
OCEAN_2.0_APPLICATOR-S-100F190O180F



TE Part # 2-2151320-2
OCEAN_2.0_APPLICATOR-S-100F190O180FA



TE Part # 2151320-1
OCEAN_2.0_APPLICATOR-S-100F190O180F



TE Part # 2151320-2
OCEAN_2.0_APPLICATOR-S-100F190O180FA



TE Part # 7-2151320-1
OCEAN_2.0_APPLICATOR-S-100F190O180F



TE Part # 7-2151320-2
OCEAN_2.0_APPLICATOR-S-100F190O180FA



KIT
REPRESENTATION ONLY

TE Part # 7-2151320-7
OCEAN_2.0_SPARE_PART_KIT-100F190O180F




TE Part # 794061-1
03P .140 MNL CAP BLK HT




TE Part # 926915-1
3,5 MNL PCB HYL SY

Also in the Series | Commercial MATE-N-LOK




Connector Contacts(20)



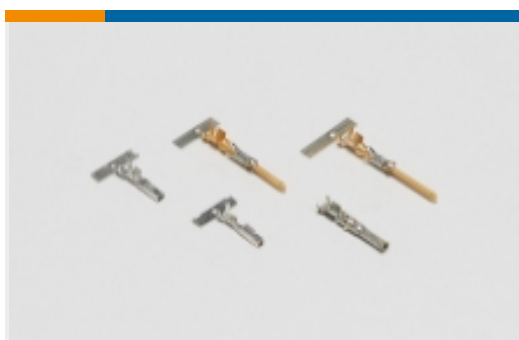
Connector Seals & Cavity Plugs(1)




Crimp Wire Pins, Tabs & Ferrules(2)




Insertion & Extraction Tools(3)




Power Contacts(129)




Rectangular Caps & Covers(2)



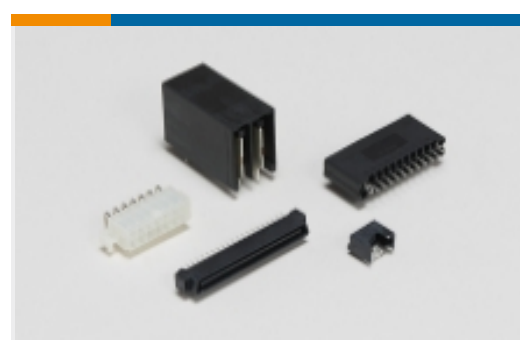
Rectangular Connector Housings(11)




Rectangular Power Connectors(169)



Standard Circular Connectors(2)



Standard Rectangular Connectors(7)

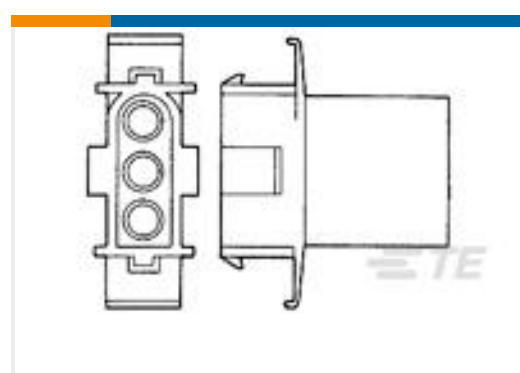


Wire-to-Board Connector Contacts(1)

Customers Also Bought



TE Part #1379029-5
4POS MQS REC



TE Part #1-350345-0
02P .140 MNL CAP P/M NAT



TE Part #926869-3
UNIV-MNL SOCKET 1



TE Part #T4113412051-000
M12 M, 5P GOLD B_CODE RA SHIELDED PG9



TE Part #2351885-5
5POS TB HDR 180 DEG, PITCH 5.0&TL
4.5mm



TE Part #6339874001
CGPT-12/4-0-SP



TE Part #927888-1
CI 2 STIFT



TE Part #928781-5
FF 110 TAB 1.0-2.5 MM2 PTP CUSN4



TE Part #160644-3
SPLICE 20-15 AWG .016 TPBR



TE Part #215598-1
4P.CI-2 PIN HSG.

Documents

CAD Files

Customer View Model

[ENG_CVM_925715-2_Y.3d_igs.zip](#)

English

Customer View Model

[ENG_CVM_925715-2_Y.3d_stp.zip](#)

English

Customer View Model

[ENG_CVM_925715-2_Y.2d_dxf.zip](#)

English

3D PDF

English

By downloading the CAD file I accept and agree to the [Terms and Conditions](#) of use.

Product Specifications

Product Specification

English

Product Environmental Compliance

Product Compliance

English

Product Compliance

English