

925660-1 ✓ ACTIVE

MATE-N-LOK | 0.140 MATE-N-LOK

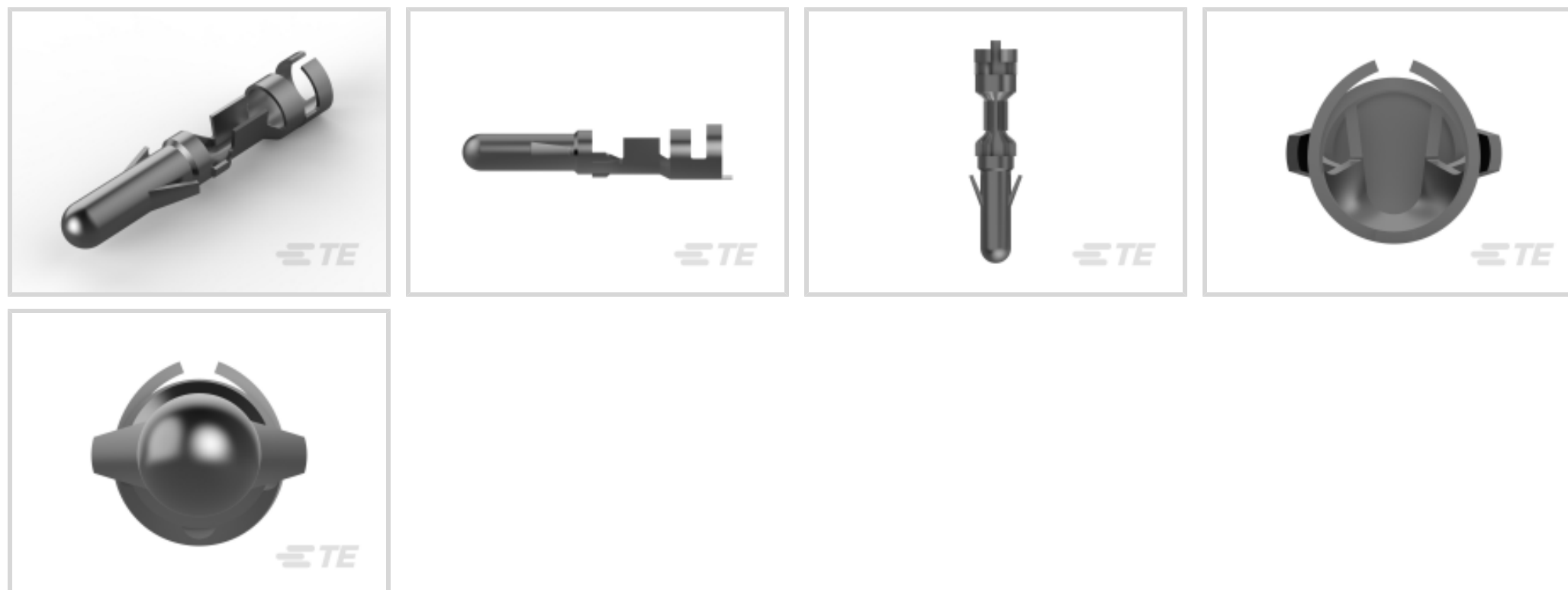
TE Internal #: 925660-1

Power Contacts, Contact, 250 VAC, Tin, 20 – 14 AWG Wire Size, .5 – 2 mm² Wire Size, Wire & Cable, Crimp, Power, Pin, 0.140 MATE-N-LOK

[View on TE.com >](#)



Connectors > Power Connectors > Power Contacts



Power Contact Type: **Contact**

Operating Voltage: **250 VAC**

Contact Mating Area Plating Material: **Tin**

Wire Size: **.5 – 2 mm²**

Features

Product Type Features

| | |
|-----------------------------------|--------------|
| Power Contact Type | Contact |
| Connector & Contact Terminates To | Wire & Cable |

Electrical Characteristics

| | |
|-------------------|---------|
| Operating Voltage | 250 VAC |
|-------------------|---------|

Contact Features

| | |
|-------------------------------------------------------|------------------------------|
| Contact Mating Area Plating Material | Tin |
| Contact Current Rating (Max) | 17 A |
| Contact Type | Pin |
| Contact Retention Within Housing | With |
| Mating Pin Diameter | 3.56 mm[.14 in] |
| Contact Base Material | Brass |
| Wire Contact Termination Area Plating Thickness | 1 – 3 μm[39.37 – 118.11 μin] |
| Wire Contact Termination Area Plating Material | Pre-Tin |
| Wire Contact Termination Area Plating Material Finish | Bright |
| Contact Orientation | Straight |



Termination Features

| | |
|------------------------------------|-------|
| Termination Method to Wire & Cable | Crimp |
|------------------------------------|-------|

Mechanical Attachment

| | |
|---------------------------------------|---------------|
| Contact Retention Type Within Housing | Locking Lance |
| Wire Insulation Support | With |

Dimensions

| | |
|--------------------------------------|-------------------------------|
| Wire Size | .5 – 2 mm ² |
| Compatible Insulation Diameter Range | 2.5 – 4.5 mm [.098 – .177 in] |

Usage Conditions

| | |
|-----------------------------|-----------------------------|
| Operating Temperature Range | -55 – 105 °C [-67 – 221 °F] |
|-----------------------------|-----------------------------|

Operation/Application

| | |
|---------------------|-------|
| Circuit Application | Power |
|---------------------|-------|

Packaging Features

| | |
|--------------------|-----|
| Packaging Quantity | 500 |
| Packaging Method | Box |

Product Compliance

[For compliance documentation, visit the product page on TE.com>](#)

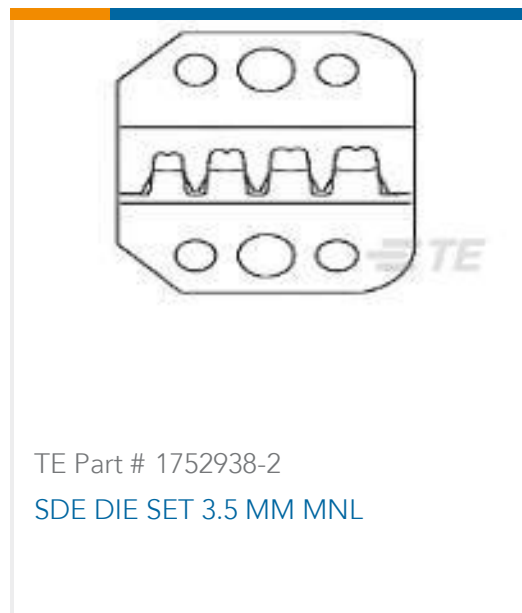
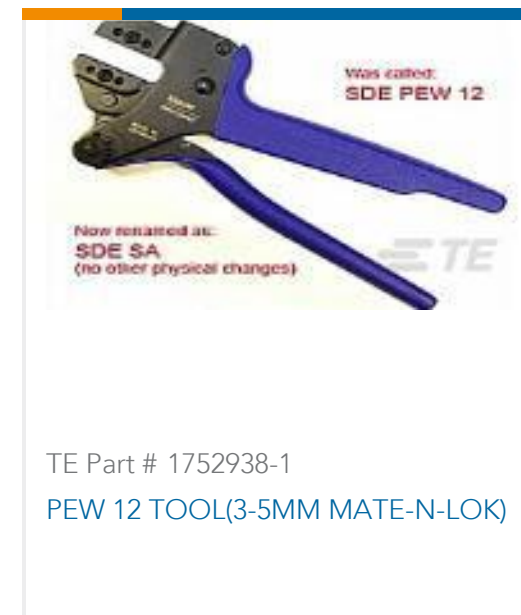
| | |
|-----------------------------------------------|---------------------------------------------------------------------------------------------------------------------------------|
| EU RoHS Directive 2011/65/EU | Compliant |
| EU ELV Directive 2000/53/EC | Compliant |
| China RoHS 2 Directive MIIT Order No 32, 2016 | No Restricted Materials Above Threshold |
| EU REACH Regulation (EC) No. 1907/2006 | Current ECHA Candidate List: JUNE 2023 (235) Candidate List Declared Against: JUNE 2023 (235) Does not contain REACH SVHC |
| Halogen Content | Low Halogen - Br, Cl, F, I < 900 ppm per homogenous material. Also BFR/CFR/PVC Free |
| Solder Process Capability | Not applicable for solder process capability |

Product Compliance Disclaimer

This information is provided based on reasonable inquiry of our suppliers and represents our current actual knowledge based on the information they provided. This information is subject to change. The part numbers that TE has identified as EU RoHS compliant have a maximum concentration of 0.1% by weight in homogenous materials for lead, hexavalent chromium, mercury, PBB, PBDE, DBP, BBP, DEHP, DIBP, and 0.01% for cadmium, or qualify for an exemption to these

limits as defined in the Annexes of Directive 2011/65/EU (RoHS2). Finished electrical and electronic equipment products will be CE marked as required by Directive 2011/65/EU. Components may not be CE marked. Additionally, the part numbers that TE has identified as EU ELV compliant have a maximum concentration of 0.1% by weight in homogenous materials for lead, hexavalent chromium, and mercury, and 0.01% for cadmium, or qualify for an exemption to these limits as defined in the Annexes of Directive 2000/53/EC (ELV). Regarding the REACH Regulation, the information TE provides on SVHC in articles for this part number is based on the latest European Chemicals Agency (ECHA) 'Guidance on requirements for substances in articles' posted at this URL: <https://echa.europa.eu/guidance-documents/guidance-on-reach>

Compatible Parts



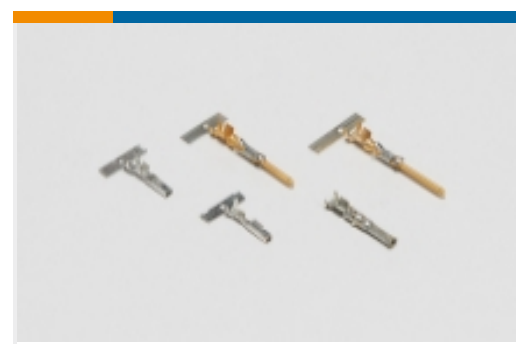
Also in the Series | 0.140 MATE-N-LOK



Connector Contacts(4)



Insertion & Extraction Tools(1)

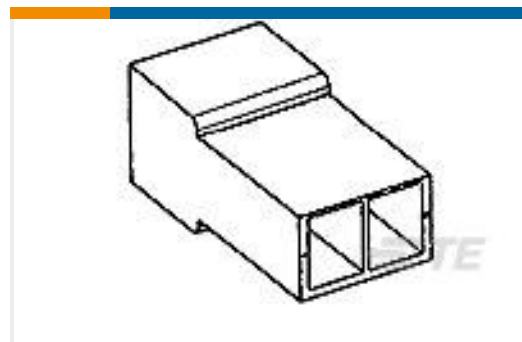
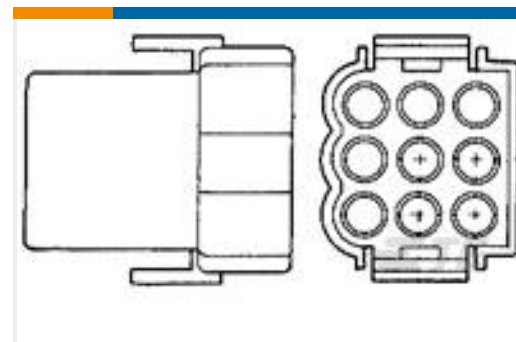
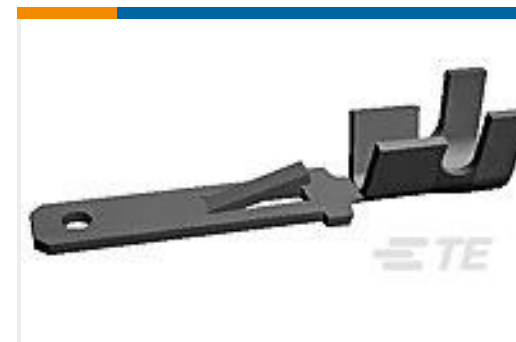
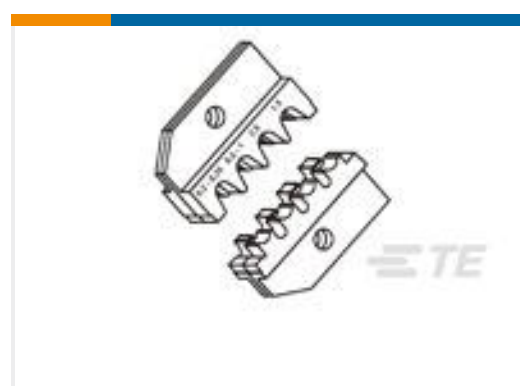


Power Contacts(9)



Rectangular Power Connectors(1)

Customers Also Bought

TE Part #180924
FF 250 TAB HSG 2P NYLON NATTE Part #794994-1
09P UMNL BLACK INTERFACE SEALTE Part #1-480673-0
09P .140 MNL CAP PM NATTE Part #62553-3
FF 250 TAB 22-18AWG TPBRTE Part #6-1879417-6
CPF0603 576K 0.1% 25PPM 1K RLTE Part #539679-2
MATRIZE 2,5 MM DTE Part #180384-6
FF 250 REC 4-6MM2 BR SILVER
PLATED LP

TE Part #5-965907-1

Documents

Product Drawings

[.140 DIA PIN](#)

English

CAD Files

[3D PDF](#)

3D

Customer View Model

[ENG_CVM_CVM_925660-1_Z_c-925660-1-z.2d_dxf.zip](#)

English

Customer View Model

[ENG_CVM_CVM_925660-1_Z_c-925660-1-z.3d_igs.zip](#)

English

Customer View Model

[ENG_CVM_CVM_925660-1_Z_c-925660-1-z.3d_stp.zip](#)

English

By downloading the CAD file I accept and agree to the [Terms and Conditions](#) of use.



Product Specifications

Product Specification

English