



Sensors > Pressure Sensors > Board Mount Pressure Sensors > Ultra-low Pressure Digital Sensor



Board Level Pressure Sensor Type: **Digital Pressure and Altimeter Sensor Modules**

Board Level Pressure Sensor Style: **Gauge**

Pressure: **3 mbar**

Proof Pressure Range: **.07 bar**

Output/Span: **16 bit I2C**

[All Ultra-low Pressure Digital Sensor \(24\)](#)

Features

Product Type Features

Board Level Pressure Sensor Type	Digital Pressure and Altimeter Sensor Modules
----------------------------------	---

Board Level Pressure Sensor Style	Gauge
-----------------------------------	-------

Configuration Features

Tubes	Barb Tube
-------	-----------

Electrical Characteristics

Board Level Pressure Sensor Supply Voltage	3 V
--	-----

Dimensions

Dimensions	10.26 x 10.31 mm [.40 x .41 in]
------------	---------------------------------

Usage Conditions

Operating Temperature Range	-20 – 85 °C [-4 – 185 °F]
-----------------------------	---------------------------

Operation/Application

Output Interface	I2C
------------------	-----

Pressure	3 mbar
----------	--------

Proof Pressure Range	.07 bar
----------------------	---------

Output/Span	16 bit I2C
-------------	------------



Board Level Pressure Sensor Accuracy	$\pm 2.5\%$ F.S
--------------------------------------	-----------------

Packaging Features

Package Style	Dual Vertical
---------------	---------------

Board Level Pressure Sensor Package	SOIC-16
-------------------------------------	---------

Other

Sensor Options	No Option
----------------	-----------

Product Compliance

[For compliance documentation, visit the product page on TE.com>](#)

EU RoHS Directive 2011/65/EU	Compliant
------------------------------	-----------

EU ELV Directive 2000/53/EC	Out of Scope
-----------------------------	--------------

China RoHS 2 Directive MIIT Order No 32, 2016	No Restricted Materials Above Threshold
---	---

EU REACH Regulation (EC) No. 1907/2006	Current ECHA Candidate List: JUNE 2023 (235) Candidate List Declared Against: JUN 2020 (209) Does not contain REACH SVHC
--	--

Halogen Content	Not Yet Reviewed for halogen content
-----------------	--------------------------------------

Solder Process Capability	Not reviewed for solder process capability
---------------------------	--

Product Compliance Disclaimer

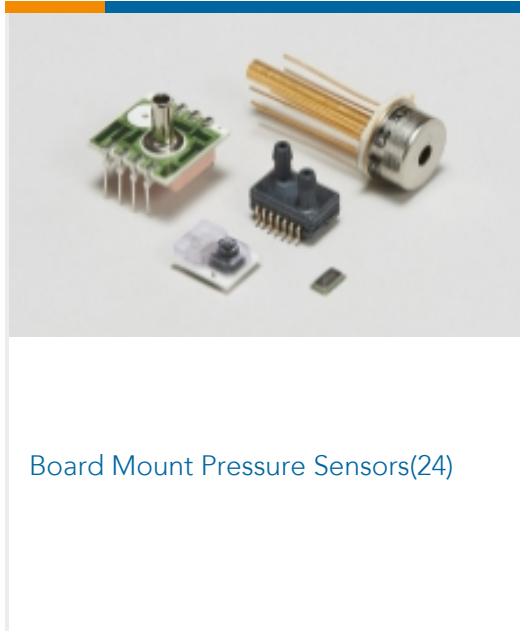
This information is provided based on reasonable inquiry of our suppliers and represents our current actual knowledge based on the information they provided. This information is subject to change. The part numbers that TE has identified as EU RoHS compliant have a maximum concentration of 0.1% by weight in homogenous materials for lead, hexavalent chromium, mercury, PBB, PBDE, DBP, BBP, DEHP, DIBP, and 0.01% for cadmium, or qualify for an exemption to these limits as defined in the Annexes of Directive 2011/65/EU (RoHS2). Finished electrical and electronic equipment products will be CE marked as required by Directive 2011/65/EU. Components may not be CE marked. Additionally, the part numbers that TE has identified as EU ELV compliant have a maximum concentration of 0.1% by weight in homogenous materials for lead, hexavalent chromium, and mercury, and 0.01% for cadmium, or qualify for an exemption to these limits as defined in the Annexes of Directive 2000/53/EC (ELV). Regarding the REACH Regulation, the information TE provides on SVHC in articles for this part number is based on the latest European Chemicals Agency (ECHA) 'Guidance on requirements for substances in articles' posted at this URL: <https://echa.europa.eu/guidance-documents/guidance-on-reach>

Compatible Parts



TE Part # CAT-BLPS0062
Ultra-low Pressure Digital Sensor

Also in the Series | SMI 9000

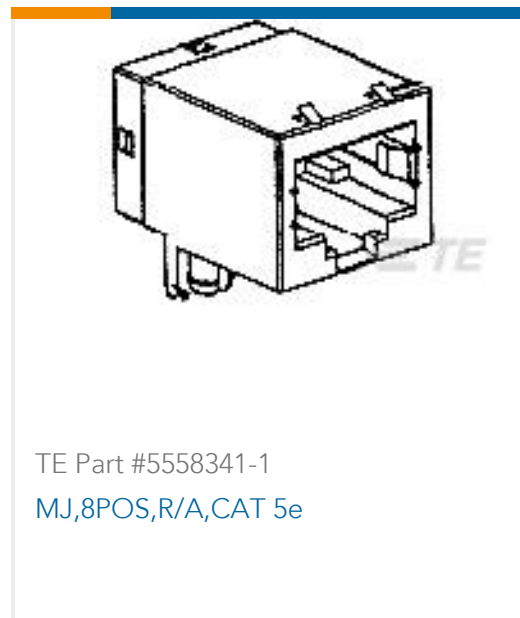


Board Mount Pressure Sensors(24)

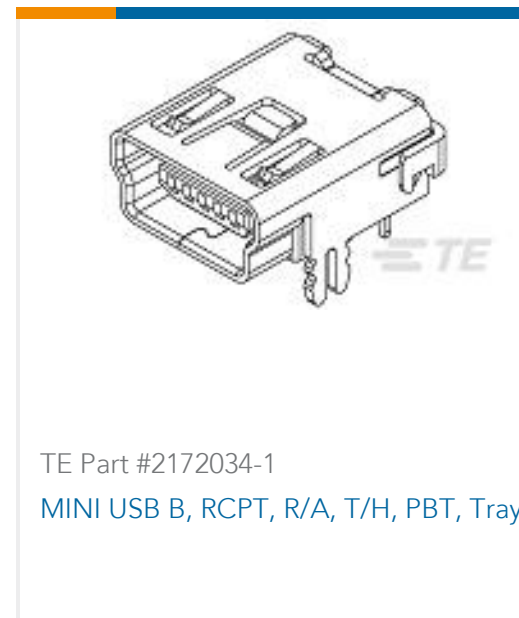
Customers Also Bought



TE Part #2227023-1
CAGE ASSY PRESS FIT, SFP



TE Part #5558341-1
MJ,8POS,R/A,CAT 5e



TE Part #2172034-1
MINI USB B, RCPT, R/A, T/H, PBT, Tray



TE Part #2-1630024-6
HSC250 22R 5%



TE Part #8-1393127-6
PRD-3DH0-24=PRD



TE Part #2-1879026-6
YR1 0.1% 17R8



TE Part #1625868-5
RP 2A 1M0 0.1% 25PPM 1K RL

Documents

[CAD Files](#)

[3D PDF](#)

[3D](#)

[Customer View Model](#)

[ENG_CVM_CVM_9235-BCE-S-300-000_1.2d_dxf.zip](#)

[English](#)



Customer View Model

[ENG_CVM_CVM_9235-BCE-S-300-000_1.3d_igs.zip](#)

English

Customer View Model

[ENG_CVM_CVM_9235-BCE-S-300-000_1.3d_stp.zip](#)

English

By downloading the CAD file I accept and agree to the [Terms and Conditions](#) of use.

Datasheets & Catalog Pages

[SM9000](#)

English