

91907-1 ✓ ACTIVE

AMP

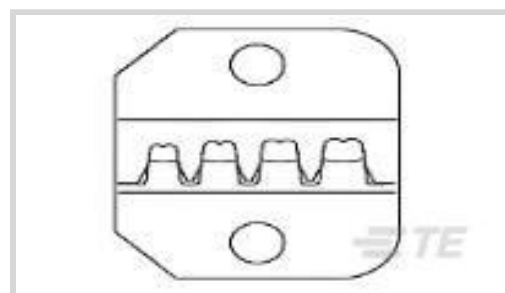
TE Internal #: 91907-1

Hand Crimping Tools, Premium Crimp Tooling, Removable /Interchangeable, TE Product Specification (114-), Battery / Electric / Manual

[View on TE.com >](#)



Application Tooling > Hand Crimping Tools



Tool Grade: **Premium Crimp Tooling**

Die Sets Type: **Removable/Interchangeable**

Specification Type: **TE Product Specification (114-)**

TE Certification: **Upon Request for Fee**

Power Technology Type: **Battery, Electric, Manual, Pneumatic**

## Features

### Other

Crimp Form-Wire Barrel Type	Closed Barrel - COAX
Tool Grade	Premium Crimp Tooling
Die Sets Type	Removable/Interchangeable
Specification Type	TE Product Specification (114-)
TE Certification	Upon Request for Fee
Power Technology Type	Battery, Electric, Manual, Pneumatic
Tooling Type	Standard Die Envelope (SDE) Die Set

## Product Compliance

[For compliance documentation, visit the product page on TE.com>](#)

EU RoHS Directive 2011/65/EU	Out of Scope
EU ELV Directive 2000/53/EC	Out of Scope
China RoHS 2 Directive MIIT Order No 32, 2016	Not reviewed for China RoHS compliance
EU REACH Regulation (EC) No. 1907/2006	Current ECHA Candidate List: JUNE 2023 (235) Candidate List Declared Against: JUNE 2023 (235) Does not contain REACH SVHC
Halogen Content	Low Halogen - Br, Cl, F, I < 900 ppm per homogenous material. Also BFR/CFR/PVC Free



Solder Process Capability

Not applicable for solder process capability

Product Compliance Disclaimer

This information is provided based on reasonable inquiry of our suppliers and represents our current actual knowledge based on the information they provided. This information is subject to change. The part numbers that TE has identified as EU RoHS compliant have a maximum concentration of 0.1% by weight in homogenous materials for lead, hexavalent chromium, mercury, PBB, PBDE, DBP, BBP, DEHP, DIBP, and 0.01% for cadmium, or qualify for an exemption to these limits as defined in the Annexes of Directive 2011/65/EU (RoHS2). Finished electrical and electronic equipment products will be CE marked as required by Directive 2011/65/EU. Components may not be CE marked. Additionally, the part numbers that TE has identified as EU ELV compliant have a maximum concentration of 0.1% by weight in homogenous materials for lead, hexavalent chromium, and mercury, and 0.01% for cadmium, or qualify for an exemption to these limits as defined in the Annexes of Directive 2000/53/EC (ELV). Regarding the REACH Regulation, the information TE provides on SVHC in articles for this part number is based on the latest European Chemicals Agency (ECHA) 'Guidance on requirements for substances in articles' posted at this URL: <https://echa.europa.eu/guidance-documents/guidance-on-reach>

Compatible Parts



TE Part # 1218687-3  
 SZ 8 COAX PIN,A600,RG316,RR/RR



TE Part # 1218821-1  
 SIZE 8 COAX SOCK CONT - RG142



TE Part # 222191-1  
 SOCKET,ARINC,SIZE 8,TRIAXIAL



TE Part # 448541-1  
 PIN,PCB,SZ 8,ARINC-TRIAX



TE Part # 222191-4  
 SOCKET,ARINC,SIZE 8,TRIAXIAL



TE Part # 1218689-1  
 SZ8 COAX PIN,A600,RG141,FR/RR



TE Part # 1218820-1  
 COAX SZ 8 ARINC SOCKET CONTACT



TE Part # 222190-1  
 PIN,TRIAXIAL,SIZE 8,ARINC



TE Part # 222190-4  
 PIN,TRIAXIAL,SIZE 8,ARINC



TE Part # 222191-5  
 SOCKET,ARINC,SIZE 8,TRIAXIAL



TE Part # 448312-2  
 PIN,TRIAXIAL,SIZE 8,ARINC



TE Part # 448313-2  
 PIN,TRIAXIAL,SIZE 8,ARINC



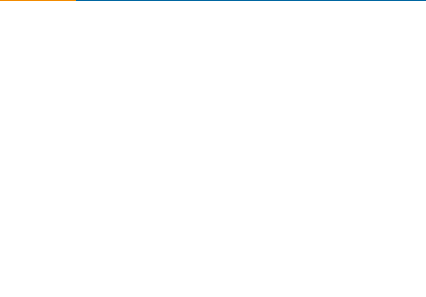

TE Part # 448540-2  
PIN PCB, SZ 8, COAX (ARINC-TRIAx)



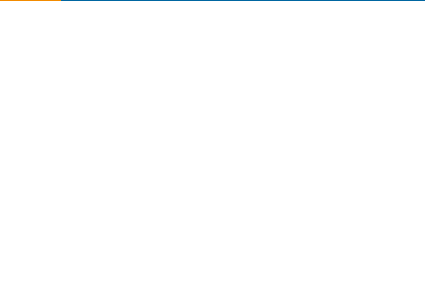
TE Part # 448542-1  
PIN, TRIAXIAL, 8, ARINC



TE Part # 448543-2  
SOCKET, ARINC, SIZE 8, TRIAXIAL



TE Part # 222191-6  
SOCKET, ARINC, SIZE 8, TRIAXIAL



TE Part # 222191-7  
SOCKET, ARINC, SIZE 8, TRIAXIAL

### Customers Also Bought




TE Part # T4110401031-000  
M12 Field Installable Unshielded



TE Part # 58495-1  
PRO CRIMPER ASSY MULTIMATE



TE Part # 59275  
T-HEAD PIDG PG SH 26-20 ASSY



TE Part # 959025-000  
AD-1377-S-SPEC-CRIMP-TOOL



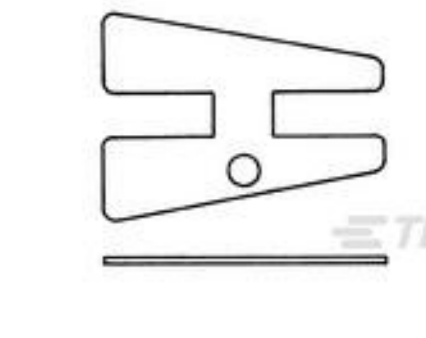
TE Part # 59250  
T-HEAD PIDG 26-14 ASSY



TE Part # 49935  
DAHT SOLIS 22-10 ASSY



TE Part # CTJ-R06  
TOOL REMOVAL



TE Part # 699016-000  
D-659-0001

### Documents

#### Datasheets & Catalog Pages

[1-1773865-2\\_1015\\_Commercial Manual Hand Tools](#)

English

#### Bottoming Dies

English

#### Instruction Sheets

[Instruction Sheet \(U.S.\)](#)

English

