

91584-1 ✓ ACTIVE

AMP

TE Internal #: 91584-1

Hand Crimping Tools, Premium Crimp Tooling, Not Releasable,  
Not Adjustable, Fixed In Tool, TE Product Specification (114-)

[View on TE.com >](#)



Application Tooling > Hand Crimping Tools



Tool Grade: **Premium Crimp Tooling**

Ratchet Configuration: **Not Releasable, Not Adjustable**

Die Sets Type: **Fixed In Tool**

Specification Type: **TE Product Specification (114-)**

TE Certification: **Yes – Certificate Included**

## Features

### Other

Crimp Form-Wire Barrel Type	Open Barrel - F Crimp
Tool Grade	Premium Crimp Tooling
Ratchet Configuration	Not Releasable, Not Adjustable
Die Sets Type	Fixed In Tool
Specification Type	TE Product Specification (114-)
TE Certification	Yes – Certificate Included
Power Technology Type	Battery, Electric, Manual
Tooling Type	CERTI-CRIMP II, Straight Action Hand Tool

## Product Compliance

[For compliance documentation, visit the product page on TE.com>](#)

EU RoHS Directive 2011/65/EU	Out of Scope
EU ELV Directive 2000/53/EC	Out of Scope
China RoHS 2 Directive MIIT Order No 32, 2016	Not reviewed for China RoHS compliance
EU REACH Regulation (EC) No. 1907/2006	Current ECHA Candidate List: JUNE 2023 (235) Candidate List Declared Against: JUL 2021 (219) Does not contain REACH SVHC
Halogen Content	Low Halogen - Br, Cl, F, I < 900 ppm per homogenous material. Also BFR/CFR/PVC

Free

Solder Process Capability

Not applicable for solder process capability

Product Compliance Disclaimer

This information is provided based on reasonable inquiry of our suppliers and represents our current actual knowledge based on the information they provided. This information is subject to change. The part numbers that TE has identified as EU RoHS compliant have a maximum concentration of 0.1% by weight in homogenous materials for lead, hexavalent chromium, mercury, PBB, PBDE, DBP, BBP, DEHP, DIBP, and 0.01% for cadmium, or qualify for an exemption to these limits as defined in the Annexes of Directive 2011/65/EU (RoHS2). Finished electrical and electronic equipment products will be CE marked as required by Directive 2011/65/EU. Components may not be CE marked. Additionally, the part numbers that TE has identified as EU ELV compliant have a maximum concentration of 0.1% by weight in homogenous materials for lead, hexavalent chromium, and mercury, and 0.01% for cadmium, or qualify for an exemption to these limits as defined in the Annexes of Directive 2000/53/EC (ELV). Regarding the REACH Regulation, the information TE provides on SVHC in articles for this part number is based on the latest European Chemicals Agency (ECHA) 'Guidance on requirements for substances in articles' posted at this URL: <https://echa.europa.eu/guidance-documents/guidance-on-reach>

### Compatible Parts



TE Part # 170466-1  
187 FASTON,REC.,18-14 AWG,TPBR



TE Part # 170467-1  
187 FASTON,REC.,18-14 AWG,TPPB



TE Part # 170289-1  
MIC REC LP



TE Part # 170222-1  
MIC TAB CONTACT



TE Part # 170222-4  
MIC TAB



TE Part # 170289-3  
MIC REC LP



TE Part # 170222-3  
MIC TAB LP

### Customers Also Bought



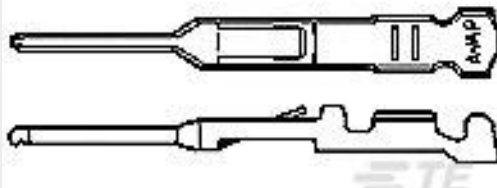
TE Part #7-1625984-8  
HSA50 6K8 5%



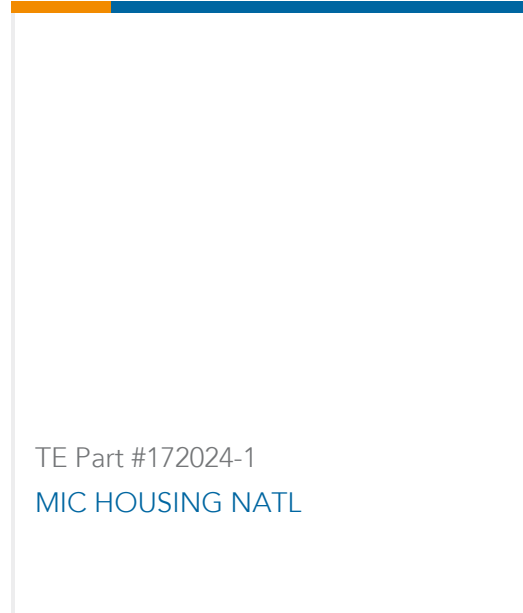
TE Part #91561-1  
CCII D-3 3L REC TAB 16-14 ASSY



TE Part #91556-1  
CCII AMP EI SERIES 26-20 ASSY



TE Part #170430-1  
EI PIN LP 170377-1 LP



## Documents

### Datasheets & Catalog Pages

#### Bottoming Dies

English

#### CERTI-CRIMP II TOOL DATA SHEET MULTI-INTERLOCK (MIC) CONNECTORS

English

### Instruction Sheets

#### Instruction Sheet (U.S.)

English