

91531-1 ✓ ACTIVE

AMP

TE Internal #: 91531-1

Hand Crimping Tools, Premium Crimp Tooling, Not Releasable,  
Not Adjustable, Fixed In Tool, TE Product Specification (114-)

[View on TE.com >](#)



Application Tooling > Hand Crimping Tools



Tool Grade: **Premium Crimp Tooling**

Ratchet Configuration: **Not Releasable, Not Adjustable**

Die Sets Type: **Fixed In Tool**

Specification Type: **TE Product Specification (114-)**

TE Certification: **Yes – Certificate Included**

## Features

### Other

Crimp Form-Wire Barrel Type	Open Barrel - F Crimp
Tool Grade	Premium Crimp Tooling
Ratchet Configuration	Not Releasable, Not Adjustable
Die Sets Type	Fixed In Tool
Specification Type	TE Product Specification (114-)
TE Certification	Yes – Certificate Included
Power Technology Type	Battery, Electric, Manual
Tooling Type	CERTI-CRIMP II, Straight Action Hand Tool

## Product Compliance

[For compliance documentation, visit the product page on TE.com>](#)

EU RoHS Directive 2011/65/EU	Out of Scope
EU ELV Directive 2000/53/EC	Out of Scope
China RoHS 2 Directive MIIT Order No 32, 2016	Not reviewed for China RoHS compliance
EU REACH Regulation (EC) No. 1907/2006	Current ECHA Candidate List: JUNE 2023 (235) Candidate List Declared Against: JUL 2021 (219) Does not contain REACH SVHC
Halogen Content	Low Halogen - Br, Cl, F, I < 900 ppm per

homogenous material. Also BFR/CFR/PVC Free



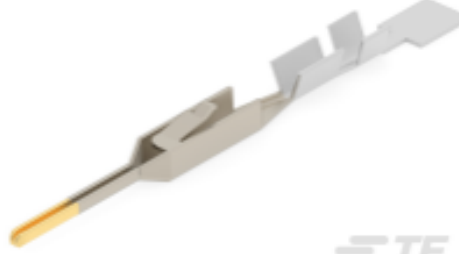

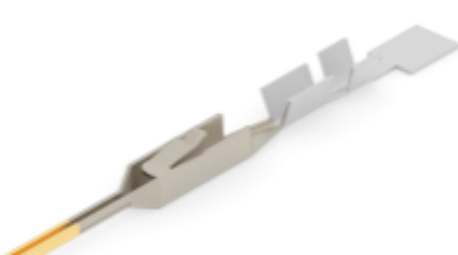
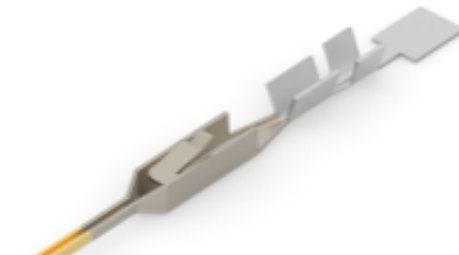





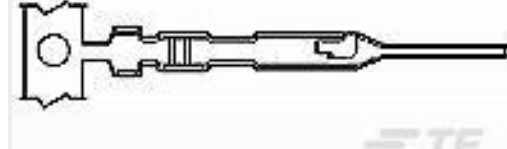
Solder Process Capability

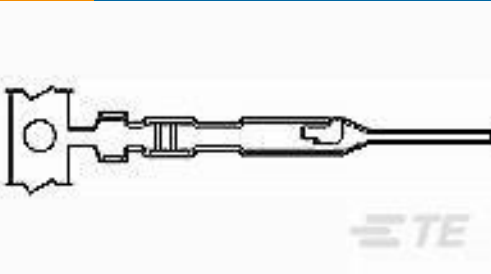
Not applicable for solder process capability

Product Compliance Disclaimer

This information is provided based on reasonable inquiry of our suppliers and represents our current actual knowledge based on the information they provided. This information is subject to change. The part numbers that TE has identified as EU RoHS compliant have a maximum concentration of 0.1% by weight in homogenous materials for lead, hexavalent chromium, mercury, PBB, PBDE, DBP, BBP, DEHP, DIBP, and 0.01% for cadmium, or qualify for an exemption to these limits as defined in the Annexes of Directive 2011/65/EU (RoHS2). Finished electrical and electronic equipment products will be CE marked as required by Directive 2011/65/EU. Components may not be CE marked. Additionally, the part numbers that TE has identified as EU ELV compliant have a maximum concentration of 0.1% by weight in homogenous materials for lead, hexavalent chromium, and mercury, and 0.01% for cadmium, or qualify for an exemption to these limits as defined in the Annexes of Directive 2000/53/EC (ELV). Regarding the REACH Regulation, the information TE provides on SVHC in articles for this part number is based on the latest European Chemicals Agency (ECHA) 'Guidance on requirements for substances in articles' posted at this URL: <https://echa.europa.eu/guidance-documents/guidance-on-reach>

## Compatible Parts

 <p>TE Part # 104505-5 MTE PIN LP</p>	 <p>TE Part # 5-104505-3 MTE PIN LP</p>	 <p>TE Part # 1-104505-0 MTE PIN 22-26 AWG PLTD</p>	 <p>TE Part # 5-104505-4 MTE PIN 22-26 AWG PLTD</p>
 <p>TE Part # 5-104505-6 MTE PIN 22-26 AWG PLTD</p>	 <p>TE Part # 5-104505-2 MTE PIN 22-26 AWG PLTD</p>	 <p>TE Part # 5-104505-5 MTE PIN LP</p>	 <p>TE Part # 1-104505-3 MTE PIN LP</p>
 <p>TE Part # 104505-3 MTE PIN LP</p>	 <p>TE Part # 104505-7 MTE PIN LP</p>	 <p>TE Part # 104505-8 MTE PIN 22-26 AWG PLTD</p>	 <p>TE Part # 104505-6 MTE PIN 22-26 AWG PLTD</p>

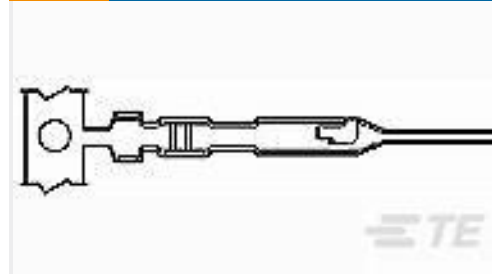
TE Part # 104505-2  
MTE PIN 22-26 AWG PLTD



TE Part # 1-104505-2  
MTE PIN 22-26 AWG PLTD



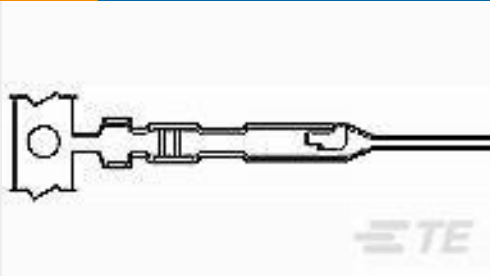
TE Part # 104505-9  
MTE PIN LP



TE Part # 104505-4  
MTE PIN 22-26 AWG PLTD



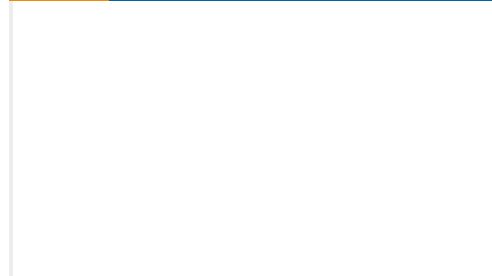
TE Part # 531216-4  
T/SPRING LP



TE Part # 1-104505-1  
MTE PIN LP



TE Part # 5-104505-7  
MTE PIN LP



TE Part # 104505-1  
MTE PIN 22-26 AWG STMPD

### Customers Also Bought



TE Part #208719-1  
RECEPT ASSY,SZ 14,CPC



TE Part #8-215083-6  
MICRO-MATCH MOW.16P



TE Part #3-1393774-4  
V23026B1101B201



TE Part #926657-6  
LOCKING CLIP HSG



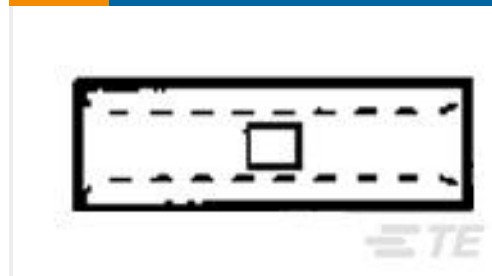
TE Part #53241-2  
PG SPR SPD 22-16COMM 22-18MIL8




TE Part #52957-3  
TERMINAL,PG SPR SPD 16-14 10



TE Part #2-2205132-1  
CA MINI IO MINI IO TYPE II



TE Part #322345  
SPLICE,SOLIS BUTT HT 16-14



TE Part #1393243-7  
RTE24020

### Documents



**Datasheets & Catalog Pages**

**Bottoming Dies**

English

---

**Instruction Sheets**

**Instruction Sheet (U.S.)**

English