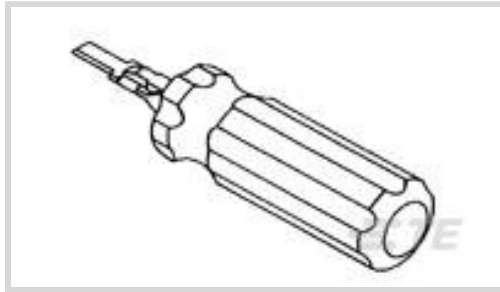




Application Tooling > Insertion & Extraction Tools



Insertion & Extraction Tool Type: **Contact Extraction**

Insertion & Extraction Tool Application: **Contact-to-Housing**

Features

Product Type Features

Insertion & Extraction Tool Type	Contact Extraction
Insertion & Extraction Tool Application	Contact-to-Housing

Product Compliance

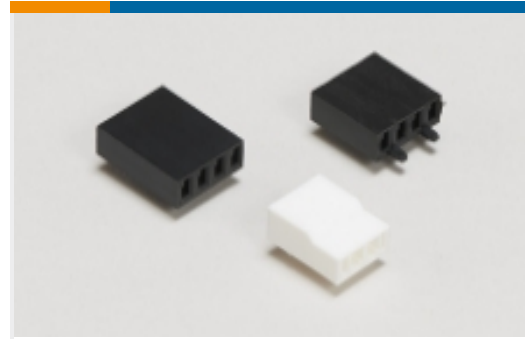
[For compliance documentation, visit the product page on TE.com>](#)

EU RoHS Directive 2011/65/EU	Compliant
EU ELV Directive 2000/53/EC	Compliant
China RoHS 2 Directive MIIT Order No 32, 2016	No Restricted Materials Above Threshold
EU REACH Regulation (EC) No. 1907/2006	Current ECHA Candidate List: JUNE 2023 (235) Candidate List Declared Against: JUNE 2023 (235) Does not contain REACH SVHC
Halogen Content	Low Halogen - Br, Cl, F, I < 900 ppm per homogenous material. Also BFR/CFR/PVC Free
Solder Process Capability	Not reviewed for solder process capability

Product Compliance Disclaimer

This information is provided based on reasonable inquiry of our suppliers and represents our current actual knowledge based on the information they provided. This information is subject to change. The part numbers that TE has identified as EU RoHS compliant have a maximum concentration of 0.1% by weight in homogenous materials for lead, hexavalent chromium, mercury, PBB, PBDE, DBP, BBP, DEHP, DIBP, and 0.01% for cadmium, or qualify for an exemption to these limits as defined in the Annexes of Directive 2011/65/EU (RoHS2). Finished electrical and electronic equipment products will be CE marked as required by Directive 2011/65/EU. Components may not be CE marked. Additionally, the part numbers that TE has identified as EU ELV compliant have a maximum concentration of 0.1% by weight in homogenous materials for lead, hexavalent chromium, and mercury, and 0.01% for cadmium, or qualify for an exemption to these limits as defined in the Annexes of Directive 2000/53/EC (ELV). Regarding the REACH Regulation, the information TE provides on SVHC in articles for this part number is based on the latest European Chemicals Agency (ECHA) 'Guidance on requirements for substances in articles' posted at this URL: <https://echa.europa.eu/guidance-documents/guidance-on-reach>

Also in the Series | AMP MR



Board-to-Board Connector Housings(2)



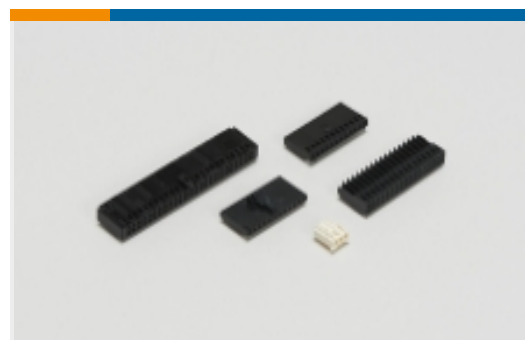
Board-to-Board Jumpers & Shunts(4)



Power Cable Assemblies(1)



Rectangular Power Connectors(12)



Wire-to-Board Connector Assemblies & Housings(4)

Also in the Series | AMPMODU LOCKING CLIP



Insertion & Extraction Tools(2)



PCB Connector Keying(1)



Wire-to-Board Connector Assemblies & Housings(89)



Wire-to-Board Connector Contacts(7)

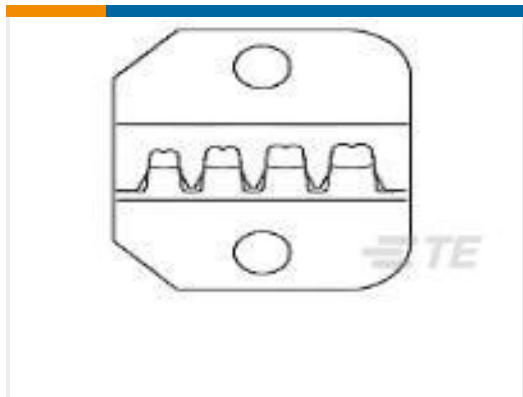
Customers Also Bought



TE Part #3-2204801-8
ELCON MICRO,HEADER,VERTICAL
DIP,8P



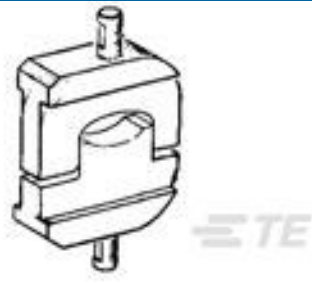
TE Part #YDTS20W15-05PAV001
RECP ASSY



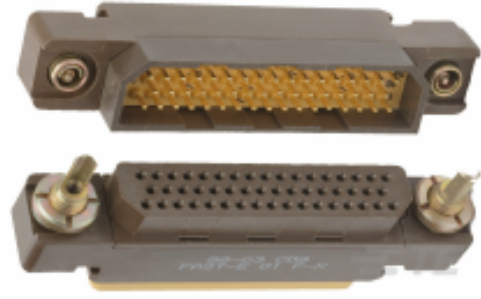
TE Part #91911-3
PREMIUM SDE DIE,COAXICON



TE Part #9-1579007-6
EXTRACTION TOOL



TE Part #69254-1
HYP8/10 STRATO-THERM 2/0AWG
DIE SET



TE Part #ZPF00000000017881
FAST-E 02 M-X-B 00 B

TE Part #959026-000
AD-1496-TRIMMER-FOR-TP-WI



TE Part #YDIV46E21-35SNV001
PLUG ASSY



TE Part #DIV46E25-35SN
PLUG ASSY

TE Part #6278750-1
CONN KIT, MT-RJ MM, MINI TWIN

Documents

Instruction Sheets

Instruction Sheet (U.S.)

English

AMP EXTRACTION TOOL 91084-1

English