

91017-3 ✓ ACTIVE

AMP-TAB

TE Internal #: 91017-3

Insertion & Extraction Tools, Contact Extraction, Contact-to-Housing

[View on TE.com >](#)



Application Tooling > Insertion & Extraction Tools



Insertion & Extraction Tool Type: **Contact Extraction**

Insertion & Extraction Tool Application: **Contact-to-Housing**

### Features

#### Product Type Features

|   |                    |
|---|--------------------|
| Insertion & Extraction Tool Type        | Contact Extraction |
| Insertion & Extraction Tool Application | Contact-to-Housing |

### Product Compliance

[For compliance documentation, visit the product page on TE.com>](#)

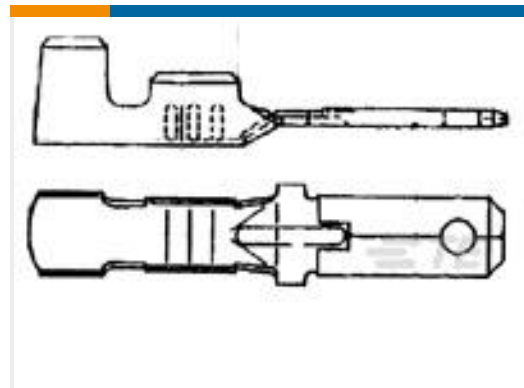
|   |   |
|---|---|
| EU RoHS Directive 2011/65/EU                  | Compliant   |
| EU ELV Directive 2000/53/EC                   | Compliant   |
| China RoHS 2 Directive MIIT Order No 32, 2016 | No Restricted Materials Above Threshold   |
| EU REACH Regulation (EC) No. 1907/2006        | Current ECHA Candidate List: JUNE 2023 (235)<br>Candidate List Declared Against: JUNE 2023 (235)<br>Does not contain REACH SVHC |
| Halogen Content                               | Low Halogen - Br, Cl, F, I < 900 ppm per homogenous material. Also BFR/CFR/PVC Free   |
| Solder Process Capability                     | Not reviewed for solder process capability  |

#### Product Compliance Disclaimer

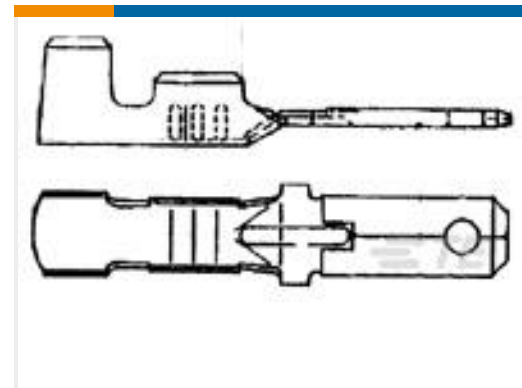
This information is provided based on reasonable inquiry of our suppliers and represents our current actual knowledge based on the information they provided. This information is subject to change. The part numbers that TE has identified as EU RoHS compliant have a maximum concentration of 0.1% by weight in homogenous materials for lead, hexavalent chromium, mercury, PBB, PBDE, DBP, BBP, DEHP, DIBP, and 0.01% for cadmium, or qualify for an exemption to these limits as defined in the Annexes of Directive 2011/65/EU (RoHS2). Finished electrical and electronic equipment products will be CE marked as required by Directive 2011/65/EU. Components may not be CE marked. Additionally, the part numbers that TE has identified as EU ELV compliant have a maximum concentration of 0.1% by weight in homogenous materials for lead, hexavalent chromium, and mercury, and 0.01% for cadmium, or qualify for an exemption to these limits as defined in the Annexes of Directive 2000/53/EC (ELV). Regarding the REACH Regulation, the information TE provides

on SVHC in articles for this part number is based on the latest European Chemicals Agency (ECHA) 'Guidance on requirements for substances in articles' posted at this URL: <https://echa.europa.eu/guidance-documents/guidance-on-reach>

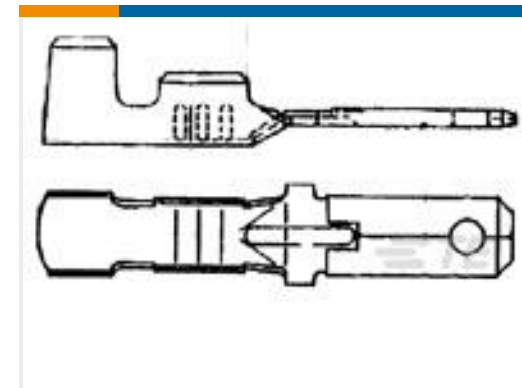
## Compatible Parts




TE Part # 66168-2  
AMP-TAB TERM. L.P.



TE Part # 66144-2  
AMP-TAB STRIP



TE Part # 66169-2  
AMP-TAB L.P. TERMINAL



TE Part # 66143-2  
AMP TAB STRIP

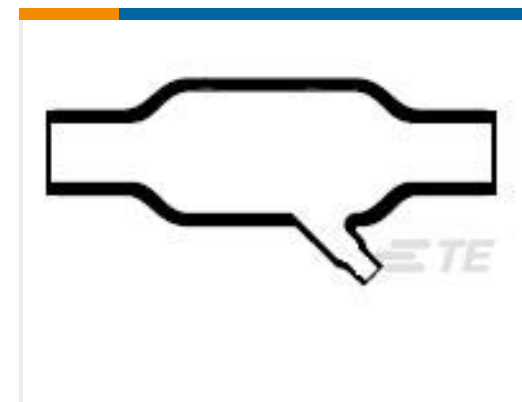
## Customers Also Bought



TE Part #59275  
T-HEAD PIDG PG SH 26-20 ASSY



TE Part #59250  
T-HEAD PIDG 26-14 ASSY



TE Part #149069-000  
342A124-25/225-0



TE Part #CTL-12-513  
JUNCTION ASSY



TE Part #211600-2  
DUST COVER,SZ 2,NIC 600



TE Part #YDTS20W09-35PNV001  
RECP ASSY



TE Part #49935  
DAHT SOLIS 22-10 ASSY



TE Part #690921-000  
W-040-04



TE Part #0638514002  
HCTE-0312-0-SP

## Documents

- [Instruction Sheets](#)
- [Instruction Sheet \(U.S.\)](#)
- English



## Extraction Tool for AMP-TAB Male (TAB) Terminals

English