

90547-2 ✓ ACTIVE

AMP

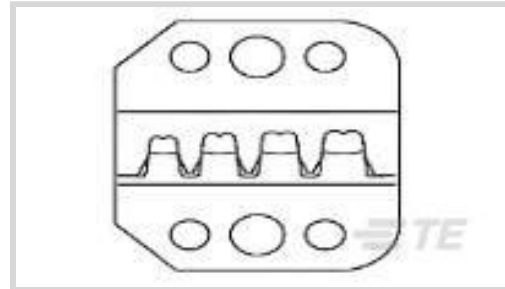
TE Internal #: 90547-2

Hand Crimping Tools, Commercial Crimp Tooling, Operator Releasable & Adjustable, Removable/Interchangeable, TE Product Specification (114-)

[View on TE.com >](#)



Application Tooling > Hand Crimping Tools



Tool Grade: **Commercial Crimp Tooling**

Ratchet Configuration: **Operator Releasable & Adjustable**

Die Sets Type: **Removable/Interchangeable**

Specification Type: **TE Product Specification (114-)**

TE Certification: **Upon Request for Fee**

Features

Other

Crimp Form-Wire Barrel Type	Open Barrel - F Crimp
Tool Grade	Commercial Crimp Tooling
Ratchet Configuration	Operator Releasable & Adjustable
Die Sets Type	Removable/Interchangeable
Specification Type	TE Product Specification (114-)
TE Certification	Upon Request for Fee
Power Technology Type	Battery, Electric, Manual
Tooling Type	Standard Die Envelope (SDE) Die Set

Product Compliance

[For compliance documentation, visit the product page on TE.com>](#)

EU RoHS Directive 2011/65/EU	Out of Scope
EU ELV Directive 2000/53/EC	Out of Scope
China RoHS 2 Directive MIIT Order No 32, 2016	Not reviewed for China RoHS compliance
EU REACH Regulation (EC) No. 1907/2006	Current ECHA Candidate List: JUNE 2023 (235) Candidate List Declared Against: JAN 2021 (211) Does not contain REACH SVHC
Halogen Content	Not Yet Reviewed for halogen content

Solder Process Capability

Not applicable for solder process capability

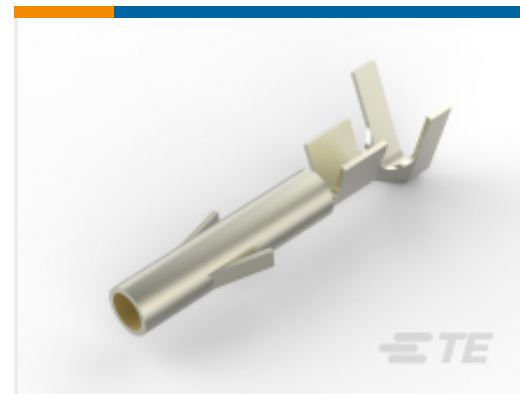
Product Compliance Disclaimer

This information is provided based on reasonable inquiry of our suppliers and represents our current actual knowledge based on the information they provided. This information is subject to change. The part numbers that TE has identified as EU RoHS compliant have a maximum concentration of 0.1% by weight in homogenous materials for lead, hexavalent chromium, mercury, PBB, PBDE, DBP, BBP, DEHP, DIBP, and 0.01% for cadmium, or qualify for an exemption to these limits as defined in the Annexes of Directive 2011/65/EU (RoHS2). Finished electrical and electronic equipment products will be CE marked as required by Directive 2011/65/EU. Components may not be CE marked. Additionally, the part numbers that TE has identified as EU ELV compliant have a maximum concentration of 0.1% by weight in homogenous materials for lead, hexavalent chromium, and mercury, and 0.01% for cadmium, or qualify for an exemption to these limits as defined in the Annexes of Directive 2000/53/EC (ELV). Regarding the REACH Regulation, the information TE provides on SVHC in articles for this part number is based on the latest European Chemicals Agency (ECHA) 'Guidance on requirements for substances in articles' posted at this URL: <https://echa.europa.eu/guidance-documents/guidance-on-reach>

Compatible Parts



TE Part # 350551-6
UMNL SOK 20-14 AU/PHBZ L/P



TE Part # 350551-7
UMNL SOK 20-14 AU/BR L/P



TE Part # 350538-7
UMNL PIN 20-14 AU/NI/BR



TE Part # 350919-3
UMNL SOK 18-14 PTPPHBZ



TE Part # 1-770005-0
UMNL II PIN AUSN/NI/BR



TE Part # 350551-1
UMNL SOK 20-14 PTPBR L/P



TE Part # 350551-3
UMNL SOK 20-14 PTPPHBZ L/P



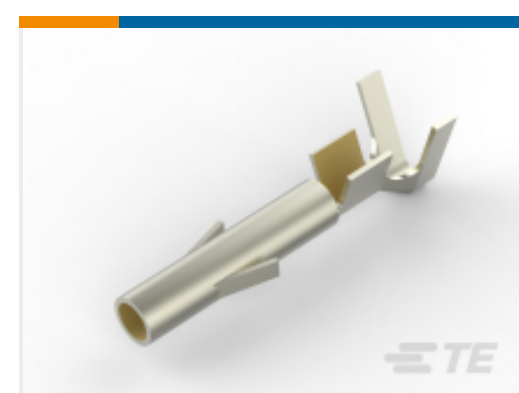
TE Part # 350552-1
UMNL PIN 20-14 PTPBR L/P



TE Part # 350552-7
UMNL PIN 20-14 AUBR L/P



TE Part # 350918-3
UMNL PIN 18-14 PTPPHBZ



TE Part # 350551-2
UMNL SOK 20-14 AUBR L/P



TE Part # 350537-6
UMNL SOK 20-14 .0125 AUNI/PHBZ




TE Part # 350700-7
UMNL SPLIT PIN AU/NI/BR



TE Part # 350538-3
UMNL PIN 20-14 .0125 PTPPHBZ



TE Part # 350537-7
UMNL SOK 20-14 .0126 AUNI/BR



TE Part # 350537-3
UMNL SOK 20-14 .0125 PTPPHBZ



TE Part # 770005-1
UMNL II PIN PTPBR



TE Part # 350873-3
UMNL PIN 18-14 .0125 PTPPHBZ



TE Part # 350874-3
UMNL SOK 18-14 .0125 PTPPHBZ



TE Part # 770006-3
UMNL II SOK PTPPHBZ

Customers Also Bought



TE Part # 326882
TERMINAL, PIDG R 16-14 6



TE Part # 354940-1
PRO-CRIMPER III FRAME W/O DIES



TE Part # 66741-2
TYPE XII FEMALE CONT (L.P.)




TE Part # 1-480700-9
03P UMNL PLUG HSG BLK




TE Part # 160789-3
RING TONGUE I.S.



TE Part # 1-2344491-1
KTHV-ST3652-CLAMP-551



TE Part # 1SNS420000Z2575
40-5209 767-D (TB19-CMP1)



TE Part # 1SNS420000Z2576
40-5209 769-D (TB24-CPM2 / TB25-CMP2)



TE Part # 2-1105051-2
HN.D-C-BU.AU.0,5

Documents



Datasheets & Catalog Pages

[1-1773865-2_1015_Commercial Manual Hand Tools](#)

English

Bottoming Dies

English

Instruction Sheets

[Instruction Sheet \(U.S.\)](#)

English

[Instruction Sheet \(U.S.\)](#)

English

[PRO-CRIMPER II Hand Tool Assembly 90547-1 w/Die Assembly 90547-2](#)

English

[Instruction Sheet \(U.S.\)](#)

English

[PRO-CRIMPER II Hand Tool Assembly 90574-1 w/Die Assembly 90574-2](#)

English