



Wire Protection & Management > Interconnect Devices > SolderSleeve Shield Terminators



Expanded Inside Diameter (Min): 5.08 mm [.2 in]

Recovered Inside Diameter (Max): 1.27 mm [.05 in]

Pre-Installed Lead: No

Resistance Properties: Immersion Protection

Wire Size: .14 mm²

Features

Product Type Features

Temperature Indicator	Yes
Temperature Indicator Type	Thermochromic

Configuration Features

Pre-Installed Lead Type	MIL-W-22759/32
Pre-Installed Lead	No

Body Features

Lead Color	White/Blue
Lead Plating Material	Tin
Lead Stranding	Stranded

Dimensions

Pre-Installed Lead Wire Size	.61 mm ²
Shield Outside Diameter (Min)	2.15 mm[.085 in]
Compatible Jacket Diameter Range	4.3 mm[.14 in]
Product Length	16.5 mm[.65 in]
Expanded Inside Diameter (Min)	5.08 mm[.2 in]
Recovered Inside Diameter (Max)	1.27 mm[.05 in]
Wire Size	26 AWG

Usage Conditions



Resistance Properties

Immersion Protection

Industry Standards

MIL/NAS Specification (MIL-S-83519, NAS-1747)

M83519/2

Government Qualified

No

Product Compliance

[For compliance documentation, visit the product page on TE.com>](#)

EU RoHS Directive 2011/65/EU

Not Compliant

EU ELV Directive 2000/53/EC

Compliant with Exemptions

China RoHS 2 Directive MIIT Order No 32, 2016

Restricted Materials Above Threshold

EU REACH Regulation (EC) No. 1907/2006

Current ECHA Candidate List: JUNE 2023 (235)

Candidate List Declared Against: JUNE 2023 (235)

SVHC > Threshold:

Pb (37% in Solder)

Article Safe Usage Statements:

Do not eat, drink or smoke when using this product. Wash thoroughly after handling. Recycle if possible and dispose of the article by following all applicable governmental regulations relevant to your geographic location.

Halogen Content

Low Bromine/Chlorine - Br and Cl < 900 ppm per homogenous material. Also BFR /CFR/PVC Free

Solder Process Capability

Not applicable for solder process capability

Product Compliance Disclaimer

This information is provided based on reasonable inquiry of our suppliers and represents our current actual knowledge based on the information they provided. This information is subject to change. The part numbers that TE has identified as EU RoHS compliant have a maximum concentration of 0.1% by weight in homogenous materials for lead, hexavalent chromium, mercury, PBB, PBDE, DBP, BBP, DEHP, DIBP, and 0.01% for cadmium, or qualify for an exemption to these limits as defined in the Annexes of Directive 2011/65/EU (RoHS2). Finished electrical and electronic equipment products will be CE marked as required by Directive 2011/65/EU. Components may not be CE marked. Additionally, the part numbers that TE has identified as EU ELV compliant have a maximum concentration of 0.1% by weight in homogenous materials for lead, hexavalent chromium, and mercury, and 0.01% for cadmium, or qualify for an exemption to these limits as defined in the Annexes of Directive 2000/53/EC (ELV). Regarding the REACH Regulation, the information TE provides on SVHC in articles for this part number is based on the latest European Chemicals Agency (ECHA) 'Guidance on requirements for substances in articles' posted at this URL: <https://echa.europa.eu/guidance-documents/guidance-on-reach>

Customers Also Bought



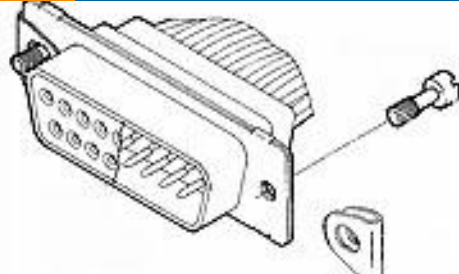

TE Part #81665-3
ECONOSEAL, FLANGE GASKET



TE Part #749806-7
KIT,HDP-20,RCPT,SIZE 1, 9 POSN



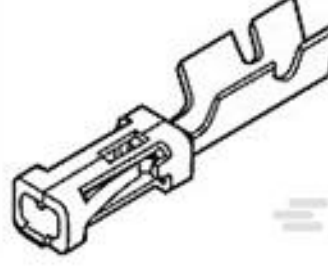
TE Part #5205729-1
CLAMSHELL ASSEMBLY,SIZE 1



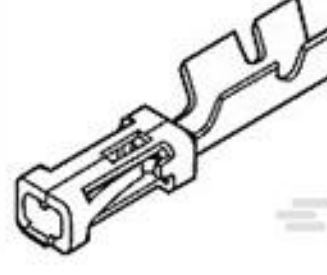
TE Part #211883-5
SCREW RETAINER KIT,AMPLIMITE




TE Part #204370-8
CONT PIN,SZ 22D,NON-MAG



TE Part #87809-1
MOD V RECP PLTD 30 AU



TE Part #102917-5
MOD IV RECP PLTD 15 SEL



TE Part #34138-3
SOLIS, PARA 12-10 60/40 SN-PB



TE Part #625159-000
D-110-35



TE Part #EL88842001
VERSAFIT-1/4-0-STK

Documents

Product Drawings

[S02-18-R](#)

English

Datasheets & Catalog Pages

[1654025_Sec8_B-155_CWT_SO63_S01to03_SO96](#)

English

Raychem Electrical Interconnect Products

English