

900319-1 ✓ ACTIVE

[Positive Lock](#) | [Positive Lock 312](#)

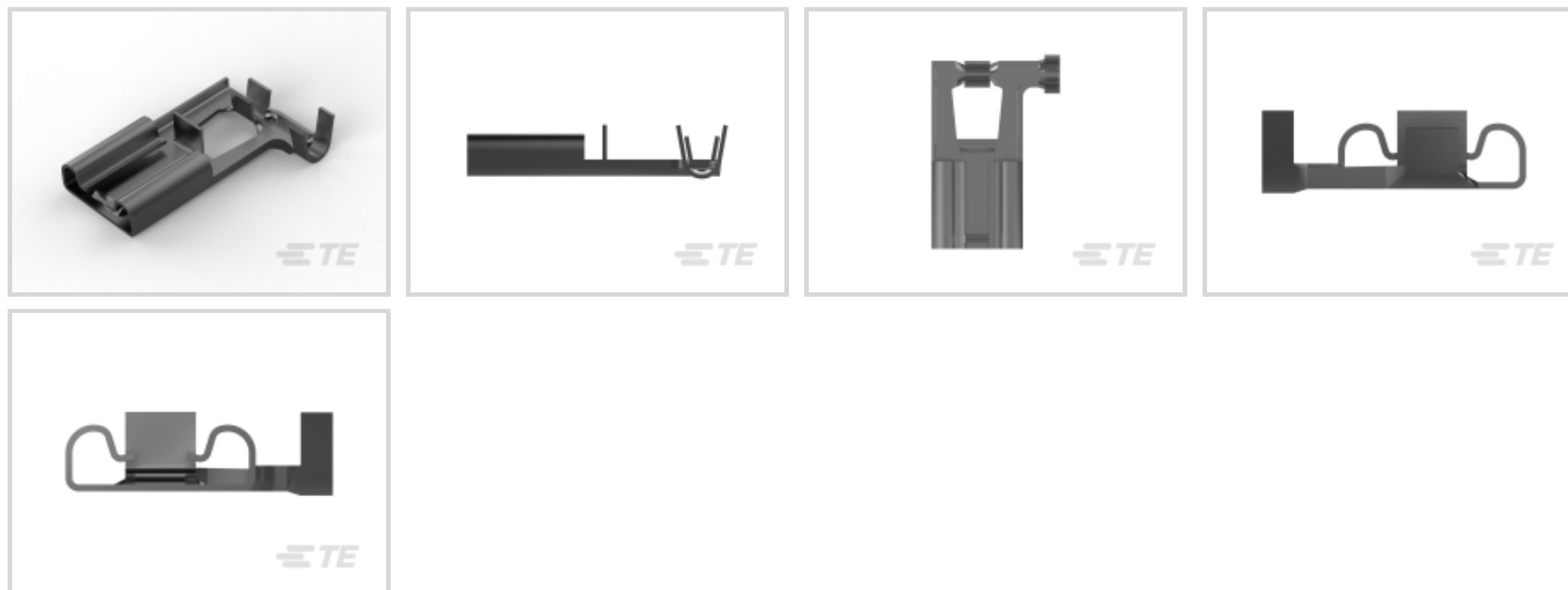
TE Internal #: 900319-1

Quick Disconnects, Receptacle, 20 – 18 AWG Wire Size, .51 – .82 mm² Wire Size, Mating Tab Width 7.92 mm [.312 in], Flag, Brass, Positive Lock 312

[View on TE.com >](#)



Terminals & Splices > Quick Disconnects



Quick Disconnect Terminal Type: **Receptacle**

Wire Size: .51 – .82 mm²

Mating Tab Width: 7.92 mm [.312 in]

Mating Tab Thickness: .81 mm [.032 in]

Features

Product Type Features

Insertion Force	Low
-----------------	-----

Configuration Features

Connection Capacity	Single
---------------------	--------

Compatible With Wire & Cable Type	Discrete Wire
-----------------------------------	---------------

Contact Features

Quick Disconnect Terminal Type	Receptacle
--------------------------------	------------

Mating Tab Width	7.92 mm [.312 in]
------------------	-------------------

Mating Tab Thickness	.81 mm [.032 in]
----------------------	------------------

Terminal Orientation	Flag
----------------------	------

Contact Base Material	Brass
-----------------------	-------

Terminal Plating Material	Pre-Tin
---------------------------	---------

Crimp Type	F-Crimp
------------	---------

Barrel Type	Open
-------------	------

Termination Features



Product Terminates To	Wire & Cable
-----------------------	--------------

Mechanical Attachment

Extraction Force	7 – 100 Newton
------------------	----------------

Wire Insulation Support	With
-------------------------	------

Mating Retention Type	Dimple
-----------------------	--------

Dimensions

Terminal Material Thickness	.33 mm[.013 in]
-----------------------------	-----------------

Product Length	18.3 mm[.72 in]
----------------	-----------------

Compatible Insulation Diameter Range	1.52 – 2.31 mm[.06 – .091 in]
--------------------------------------	-------------------------------

Wire Size	.51 – .82 mm ²
-----------	---------------------------

Usage Conditions

Insulation Option	Uninsulated
-------------------	-------------

Operating Temperature Range	-40 – 110 °C[-40 – 230 °F]
-----------------------------	----------------------------

Industry Standards

Agency/Standard	UL
-----------------	----

Packaging Features

Packaging Quantity	2000
--------------------	------

Packaging Method	Strip/Reel
------------------	------------

Product Compliance

[For compliance documentation, visit the product page on TE.com>](#)

EU RoHS Directive 2011/65/EU	Compliant
------------------------------	-----------

EU ELV Directive 2000/53/EC	Compliant
-----------------------------	-----------

China RoHS 2 Directive MIIT Order No 32, 2016	No Restricted Materials Above Threshold
---	---

EU REACH Regulation (EC) No. 1907/2006	Current ECHA Candidate List: JUNE 2023 (235) Candidate List Declared Against: JUNE 2023 (235) Does not contain REACH SVHC
--	---

Halogen Content	Low Halogen - Br, Cl, F, I < 900 ppm per homogenous material. Also BFR/CFR/PVC Free
-----------------	---

Solder Process Capability	Not applicable for solder process capability
---------------------------	--

Product Compliance Disclaimer

This information is provided based on reasonable inquiry of our suppliers and represents our current actual knowledge based on the information they provided. This information is subject to change. The part numbers that TE has identified as EU RoHS compliant have a maximum concentration of 0.1% by weight in homogenous materials for lead, hexavalent chromium, mercury, PBB, PBDE, DBP, BBP, DEHP, DIBP, and 0.01% for cadmium, or qualify for an exemption to these limits as defined in the Annexes of Directive 2011/65/EU (RoHS2). Finished electrical and electronic equipment products will be CE marked as required by Directive 2011/65/EU. Components may not be CE marked. Additionally, the part numbers that TE has identified as EU ELV compliant have a maximum concentration of 0.1% by weight in homogenous materials for lead, hexavalent chromium, and mercury, and 0.01% for cadmium, or qualify for an exemption to these limits as defined in the Annexes of Directive 2000/53/EC (ELV). Regarding the REACH Regulation, the information TE provides on SVHC in articles for this part number is based on the latest European Chemicals Agency (ECHA) 'Guidance on requirements for substances in articles' posted at this URL: <https://echa.europa.eu/guidance-documents/guidance-on-reach>

Compatible Parts



TE Part # 172615-2
POSITIVE LOCK 312 HOUSING RECEPTACLE

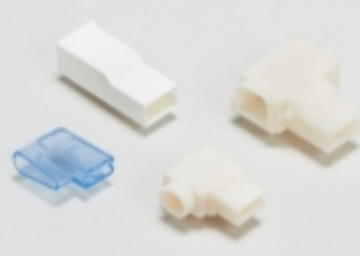


TE Part # 177720-2
312 POSITIVE FLAG HSG 3P




TE Part # 353752-2
HEAD LAMP CONNECTOR .312 (7.92 MM)


Also in the Series | Positive Lock 312



Crimp Terminal Housings(4)



Insertion & Extraction Tools(1)



Quick Disconnects(5)

Customers Also Bought



TE Part #2822363-1
EJ-2 DBL LOCK PLUG 2P ASSY B



TE Part #170014-6
FF 110 TAB 20-16AWG PTBR



TE Part #170140-2
187 FASTON, FLAG, REC., 16-20 AWG, TPBR



TE Part #917309-1
MINI MLC CONN. TAB CONT. TPBR



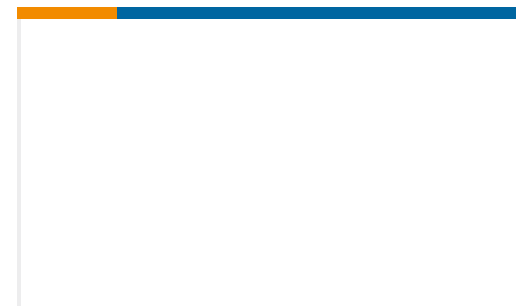
TE Part #7-1633588-1
CRIMPER, WIRE 'F' .050



TE Part #1981562-1
1.0 SERIES CAVITY PLUG



TE Part #1-2291193-3
SMARTSEAL TERMINAL



TE Part #2-2174298-3
5mm POWER KEY 3P HDR ASSEMBLY



TE Part #2290490-1
16POS, 1.0 SERIES, REC HSG ASSY, SLD



TE Part #4-1971906-6
HEADER ASSY 12POS, KEYING-D,
NEW GIC3.3

Documents

Product Drawings

[PL 312 FLAG REC 20-18AWG 0.32X24.9 PTPBR](#)

English

CAD Files

[3D PDF](#)

3D

Customer View Model

[ENG_CVM_CVM_900319-1_A.2d_dxf.zip](#)

English

Customer View Model

[ENG_CVM_CVM_900319-1_A.3d_igs.zip](#)

English

Customer View Model

[ENG_CVM_CVM_900319-1_A.3d_stp.zip](#)

English

By downloading the CAD file I accept and agree to the [Terms and Conditions](#) of use.

Product Specifications

[Application Specification](#)

English

[.312 Series Positive Lock Receptacle \(Flag\)](#)

English

Product Environmental Compliance

[Product Compliance](#)

English



Product Compliance

English

Instruction Sheets

Instruction Sheet (non U.S.)

Japanese