



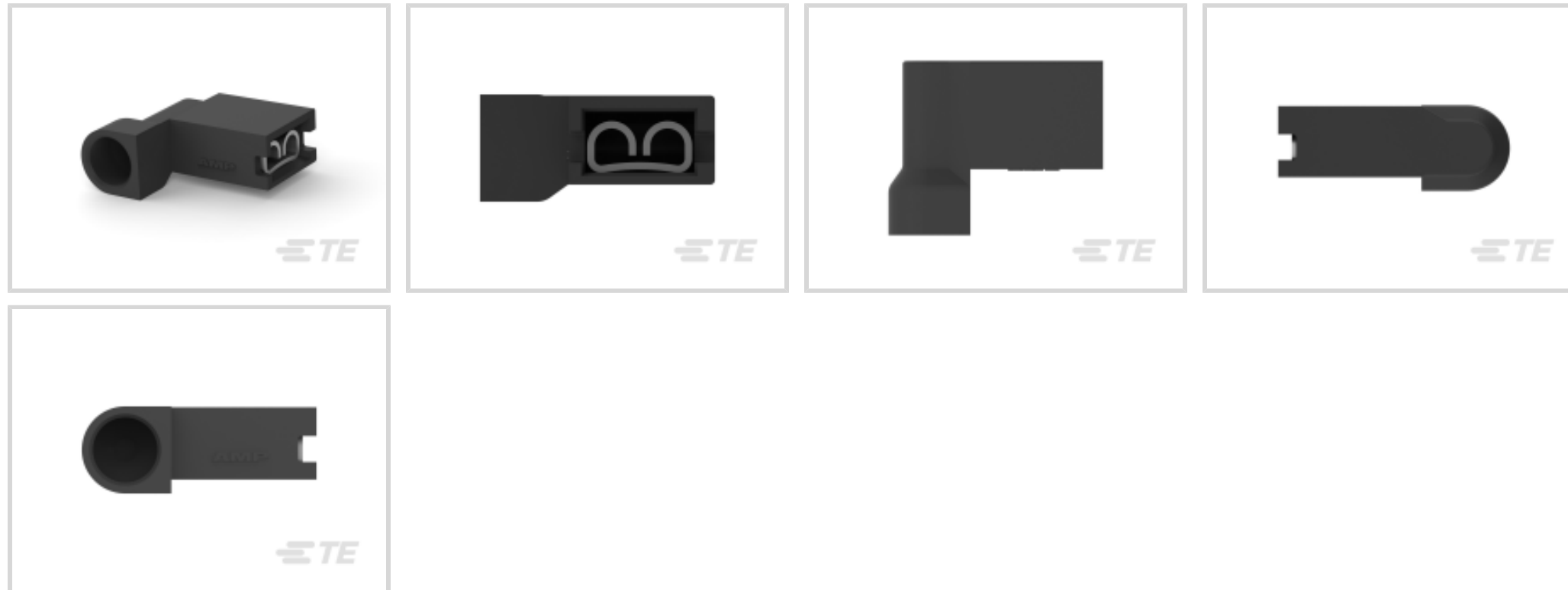
Ultra-Fast | Ultra-Fast 187

TE Internal #: 9-520334-2

Quick Disconnects, Receptacle, 22 – 18 AWG Wire Size, .32 – .82 mm<sup>2</sup> Wire Size, Mating Tab Width 4.75 mm [.187 in], Flag, Brass, Ultra-Fast 187

[View on TE.com >](#)

Terminals & Splices > Quick Disconnects



Quick Disconnect Terminal Type: **Receptacle**

Wire Size: .32 – .82 mm<sup>2</sup>

Mating Tab Width: 4.75 mm [.187 in]

Mating Tab Thickness: .51 mm [.02 in]

**Features**

**Product Type Features**

Insertion Force	Low
-----------------	-----

**Configuration Features**

Connection Capacity	Single
Compatible With Wire & Cable Type	Discrete Wire

**Electrical Characteristics**

Voltage Rating	600 V
----------------	-------

**Body Features**

Insulation Material	Nylon
---------------------	-------

**Contact Features**

Quick Disconnect Terminal Type	Receptacle
Mating Tab Width	4.75 mm [.187 in]
Mating Tab Thickness	.51 mm [.02 in]
Terminal Orientation	Flag
Contact Base Material	Brass



Terminal Plating Material	Tin
Crimp Type	F-Crimp
Barrel Type	Closed

#### Termination Features

Product Terminates To	Wire & Cable
-----------------------	--------------

#### Mechanical Attachment

Wire Insulation Support	With
Mating Retention Type	Dimple

#### Dimensions

Terminal Material Thickness	.41 mm[.016 in]
Product Length	13.08 mm[.515 in]
Compatible Insulation Diameter Range	4.19 mm[.165 in]
Wire Size	.32 – .82 mm <sup>2</sup>

#### Usage Conditions

Insulation Option	Fully Insulated
Operating Temperature Range	-40 – 110 °C[-40 – 230 °F]

#### Industry Standards

Agency/Standard	UL
UL Flammability Rating	UL 94V-2

#### Packaging Features

Packaging Quantity	2200
Packaging Method	Strip/Reel

#### Other

Barrel Color	Black
--------------	-------

#### Product Compliance

[For compliance documentation, visit the product page on TE.com>](#)

EU RoHS Directive 2011/65/EU	Compliant
EU ELV Directive 2000/53/EC	Compliant
China RoHS 2 Directive MIIT Order No 32, 2016	No Restricted Materials Above Threshold
EU REACH Regulation (EC) No. 1907/2006	Current ECHA Candidate List: JUNE 2023 (235)



Candidate List Declared Against: JUNE 2023 (235)

Does not contain REACH SVHC

Halogen Content

Low Halogen - Br, Cl, F, I < 900 ppm per homogenous material. Also BFR/CFR/PVC Free

Solder Process Capability

Not applicable for solder process capability

Product Compliance Disclaimer

This information is provided based on reasonable inquiry of our suppliers and represents our current actual knowledge based on the information they provided. This information is subject to change. The part numbers that TE has identified as EU RoHS compliant have a maximum concentration of 0.1% by weight in homogenous materials for lead, hexavalent chromium, mercury, PBB, PBDE, DBP, BBP, DEHP, DIBP, and 0.01% for cadmium, or qualify for an exemption to these limits as defined in the Annexes of Directive 2011/65/EU (RoHS2). Finished electrical and electronic equipment products will be CE marked as required by Directive 2011/65/EU. Components may not be CE marked. Additionally, the part numbers that TE has identified as EU ELV compliant have a maximum concentration of 0.1% by weight in homogenous materials for lead, hexavalent chromium, and mercury, and 0.01% for cadmium, or qualify for an exemption to these limits as defined in the Annexes of Directive 2000/53/EC (ELV). Regarding the REACH Regulation, the information TE provides on SVHC in articles for this part number is based on the latest European Chemicals Agency (ECHA) 'Guidance on requirements for substances in articles' posted at this URL: <https://echa.europa.eu/guidance-documents/guidance-on-reach>

## Compatible Parts



TE Part # 90390-3  
DIES ULTRA-FAST FASTON 22-18 DIE SET



TE Part # 2150278-2  
OCEAN\_2.0\_APPLICATOR-E-201D



TE Part # 7-2150278-2  
OCEAN\_2.0\_APPLICATOR-E-201D



TE Part # 7-2150278-7  
OCEAN\_2.0\_SPARE\_PART\_KIT-201D



TE Part # 2-2150278-2  
OCEAN\_2.0\_APPLICATOR-E-201D

Also in the Series | **Ultra-Fast 187**



Quick Disconnects(47)

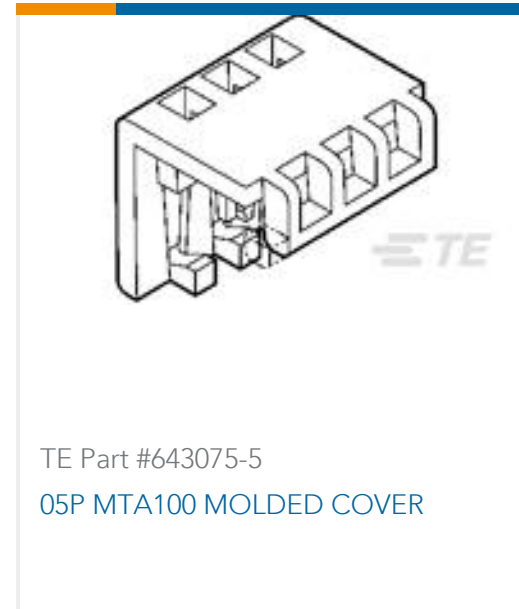
## Customers Also Bought



TE Part #6609059-2  
3EZ1=F7328 S0



TE Part #5102159-3  
A/L UNIV HDR 16P RA



TE Part #643075-5  
05P MTA100 MOLDED COVER



TE Part #745229-7  
20DF PIN CONT L.P.



TE Part #1879071-9  
THS50 R50 5%



TE Part #174260-7  
EOCNO-J MK-2 LOCK PLATE CAP 4P



TE Part #1-368889-1  
WIRE SEAL FOR EJ MK-II(+) BLUE



TE Part #2-31894-2  
PIDG 22-16 22-18MIL R 1/4;TAPE



TE Part #174264-2  
ECONO-J MK-2 CAP HSG 6P



TE Part #171631-1  
E-J MK-2 070 TAB CONT

## Documents

### Product Drawings

[ULTRA-FAST 187 ASY REC 22-18 AWG TPBR](#)

English

### CAD Files

[3D PDF](#)

[3D](#)

### Customer View Model

[ENG\\_CVM\\_CVM\\_9-520334-2\\_L.2d\\_dxf.zip](#)



English

**Customer View Model**

[ENG\\_CVM\\_CVM\\_9-520334-2\\_L.3d\\_igs.zip](#)

English

**Customer View Model**

[ENG\\_CVM\\_CVM\\_9-520334-2\\_L.3d\\_stp.zip](#)

English

By downloading the CAD file I accept and agree to the [Terms and Conditions](#) of use.

---

**Datasheets & Catalog Pages**

[Ultra-Fast and Ultra Fast Plus](#)

English

---

**Product Specifications**

[Application Specification](#)

English

---

**Product Environmental Compliance**

[TE Material Declaration](#)

English

---

**Agency Approvals**

[UL](#)

English