



Kilovac | Kilovac LEV100

TE Internal #: 9-1618389-8

DC Contactors, 1 Form X, SPST-NO DM, 22 AWG Wire Size, .34 mm² Wire Size, 100 A, 24 VDC Coil Voltage, 96 Ω Coil Resistance, Kilovac LEV100

[View on TE.com >](#)

Relays, Contactors & Switches > Contactors > Mil-Aero Contactors > DC Contactors



DC Contactor Contact Arrangement: **1 Form X, SPST-NO DM**

Wire Size: **.34 mm²**

DC Contactor Contact Current Rating: **100 A**

Coil Voltage (Max): **24 VDC**

Features

Product Type Features

Product Classification	Relays - Contactors
Product Type	Contactor
Product Category	Electromechanical Relays
Contactor Type	Sealed
Terminal Configuration	2 x M4 Bolt

Configuration Features

Auxiliary Switch Contact Arrangement	None
--------------------------------------	------

Electrical Characteristics

Actuating System	DC
Coil Voltage (Max)	24 VDC
DC Contactor Coil Resistance	96 Ω
DC Contactor Coil Voltage Rating	24 VDC
DC Contactor Contact Switching Voltage (Max)	900 VDC

Contact Features

DC Contactor Contact Arrangement	1 Form X, SPST-NO DM
DC Contactor Contact Current Rating	100 A
Pole Configuration	1

Termination Features

Coil Termination	Wire
------------------	------



Mechanical Attachment

DC Contactor Mounting Type	Bottom
----------------------------	--------

Dimensions

Coil Wire Length	381 mm[15 in]
Wire Size	.34 mm ²

Packaging Features

Packaging Method	Individual
------------------	------------

Other

Torque	30 – 40 in-lbs
--------	----------------

Product Compliance

[For compliance documentation, visit the product page on TE.com>](#)

EU RoHS Directive 2011/65/EU	Compliant with Exemptions
EU ELV Directive 2000/53/EC	Compliant with Exemptions
China RoHS 2 Directive MIIT Order No 32, 2016	Restricted Materials Above Threshold
EU REACH Regulation (EC) No. 1907/2006	Current ECHA Candidate List: JUNE 2023 (235) Candidate List Declared Against: JAN 2022 (223) SVHC > Threshold: Pb (.35% in Component) Article Safe Usage Statements: Do not eat, drink or smoke when using this product. Wash thoroughly after handling. Recycle if possible and dispose of the article by following all applicable governmental regulations relevant to your geographic location.
Halogen Content	Low Halogen - Br, Cl, F, I < 900 ppm per homogenous material. Also BFR/CFR/PVC Free
Solder Process Capability	Not applicable for solder process capability

Product Compliance Disclaimer

This information is provided based on reasonable inquiry of our suppliers and represents our current actual knowledge based on the information they provided. This information is subject to change. The part numbers that TE has identified as EU RoHS compliant have a maximum concentration of 0.1% by weight in homogenous materials for lead, hexavalent chromium, mercury, PBB, PBDE, DBP, BBP, DEHP, DIBP, and 0.01% for cadmium, or qualify for an exemption to these limits as defined in the Annexes of Directive 2011/65/EU (RoHS2). Finished electrical and electronic equipment products will be CE marked as required by Directive 2011/65/EU. Components may not be CE marked. Additionally, the part numbers that TE has identified as EU ELV compliant have a maximum concentration of 0.1% by weight in homogenous materials for lead, hexavalent chromium, and mercury, and 0.01% for cadmium, or qualify for an exemption to these limits as defined in the Annexes of Directive 2000/53/EC (ELV). Regarding the REACH Regulation, the information TE provides on SVHC in articles for this part number is based on the latest European Chemicals Agency (ECHA) 'Guidance on requirements for substances in articles' posted at this URL: <https://echa.europa.eu/guidance-documents/guidance-on-reach>

Compatible Parts



TE Part # 8-1618406-3
EV202ASAND=Relay, DPST-NO 28V



TE Part # 5-1618388-5
LEV200H5ANA=RELAY, SPST-NO



TE Part # CAT-DC-K1K-CONT
SPST: Kilovac K1K DC Contactors; Bi-directional Switching



TE Part # 7-1618387-1
LEV200A5ANA=RELAY, SPST-NO



TE Part # 4-1618391-1
LEV100A5ANH=RELAY, SPST-NO 24VDC VMT 15



TE Part # 1618408-2
LEV100H5CNG = CONTACTOR WITH AUX SPST



TE Part # 1618412-8
LEV100H5ANG=CONTACTOR WITH AUX SPST, 15"



TE Part # 4-1618388-6
LEV200A5NAA=RELAY, SPST-NO



TE Part # 5-1618387-7
LEV200A5NAF=RELAY, 24Vdc SPST NO



TE Part # 4-1618387-1
EV200HRANA=RELAY, SPST-NO



TE Part # 6-1618388-7
LEV200H5ANF=RELAY, SPST-NO



TE Part # 4-1618413-9
EV600HSANM = CONTACTOR, SPST-NO 24V COIL



TE Part # 6-1618400-4
LEV100A7ANG=RELAY, 28Vdc SPST-NO



TE Part # 9-1618407-9
LEV100H5CNH=CONTACTOR WITH AUX, SPST

Also in the Series | Kilovac LEV100



DC Contactors(11)



High Voltage Relays(3)

Customers Also Bought



TE Part #5-1618407-3
EV202MSAND=RELAY, EV202 DPST-NO, 28V



TE Part #K1157084
Battery Disconnecter 35-223-060-GE



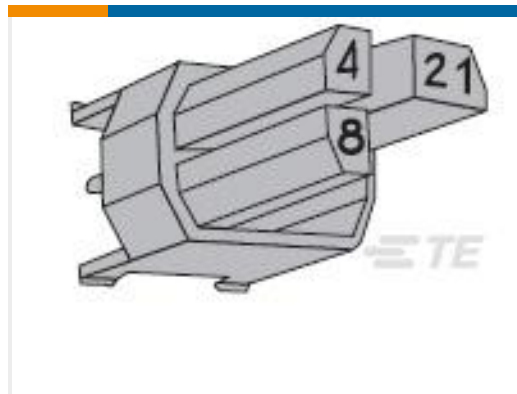
TE Part #1-2286937-6
2POS,HVP800,180 DEG,50 SQMM, COD A,CS



TE Part #1-2372389-0
MICRO MNL, HDR ASSY, SINGLE ROW, AU



TE Part #4-1618414-4
LEV200AKNAA=RELAY, SPST-NO



TE Part #5-100525-9
Z-PACK M.CODING KEY



TE Part #1-1415538-4
RP920145 (RP840005)



TE Part #1108600-1
KX.Sti.0,3/3,5/6,1



TE Part #2-1102660-5
HIP-K.24/64.STS.1.2

Documents

CAD Files

[3D PDF](#)

[3D](#)

[Customer View Model](#)

[ENG_CVM_CVM_9-1618389-8_E.2d_dxf.zip](#)

English

[Customer View Model](#)

[ENG_CVM_CVM_9-1618389-8_E.3d_igs.zip](#)

English

[Customer View Model](#)

[ENG_CVM_CVM_9-1618389-8_E.3d_stp.zip](#)

English

By downloading the CAD file I accept and agree to the [Terms and Conditions](#) of use.

Datasheets & Catalog Pages

[Kilovac LEV100 Series 900 Vdc Contactor](#)

English

LEV100A5ANG

DC Contactors, 1 Form X, SPST-NO DM, 22 AWG Wire Size, .34 mm² Wire Size, 100 A, 24 VDC Coil Voltage, 96 Ω Coil Resistance, Kilovac LEV100

