



CII | CII FC-335

TE Internal #: 9-1617803-3

Mid-Range Relays, 3 Form X, 3PST-NO-DM, Tin-Lead Terminal Plating, 35 A, 28 VDC Coil Voltage, 160 Ω Coil Resistance, 115 /200Vac (50-400Hz), CII FC-335

[View on TE.com >](#)

Relays, Contactors & Switches > Relays > Mil-Aero Relays > Mid-Range Relays



Mid-Range Relay Contact Arrangement: **3 Form X, 3PST-NO-DM**

Coil Suppression Diode: **Without**

Auxiliary Contacts: **Without**

Terminal Plating: **Tin-Lead**

Mid-Range Relay Contact Current Rating: **35 A**

**Features**

**Product Type Features**

Enclosure Type	Hermetically Sealed
Terminal Configuration	Solder Hooks
Product Type	Relay
Relay Type	Military/Aerospace Mid-Range

**Electrical Characteristics**

Vibration	10G's, 5 – 1000Hz
Shock	50G's, 11ms
Coil Suppression Diode	Without
Mid-Range Relay Coil Voltage Rating	28 VDC
Mid-Range Relay Coil Resistance	160 Ω
Mid-Range Relay Contact Switching (Max)	115/200Vac (50-400Hz)
Back EMF Suppression	Without
Coil Magnetic System	Non-Polarized, Monostable
Actuating System	DC

**Contact Features**

Mid-Range Relay Contact Arrangement	3 Form X, 3PST-NO-DM
Auxiliary Contacts	Without



Terminal Plating	Tin-Lead
Mid-Range Relay Contact Current Rating	35 A
Contact Base Material	Silver Cadmium Oxide

**Mechanical Attachment**

Mid-Range Relay Mounting Type	Studs, 6-32 UNC-2A
-------------------------------	--------------------

**Usage Conditions**

Operating Temperature Range	-70 – 125 °C
-----------------------------	--------------

**Product Compliance**

[For compliance documentation, visit the product page on TE.com>](#)

EU RoHS Directive 2011/65/EU	Not Compliant
EU ELV Directive 2000/53/EC	Not Yet Reviewed
China RoHS 2 Directive MIIT Order No 32, 2016	Restricted Materials Above Threshold
EU REACH Regulation (EC) No. 1907/2006	Current ECHA Candidate List: JUNE 2023 (235) Candidate List Declared Against: JAN 2022 (223) SVHC > Threshold: Not Yet Reviewed
Halogen Content	Not Yet Reviewed for halogen content
Solder Process Capability	Not applicable for solder process capability

Product Compliance Disclaimer

This information is provided based on reasonable inquiry of our suppliers and represents our current actual knowledge based on the information they provided. This information is subject to change. The part numbers that TE has identified as EU RoHS compliant have a maximum concentration of 0.1% by weight in homogenous materials for lead, hexavalent chromium, mercury, PBB, PBDE, DBP, BBP, DEHP, DIBP, and 0.01% for cadmium, or qualify for an exemption to these limits as defined in the Annexes of Directive 2011/65/EU (RoHS2). Finished electrical and electronic equipment products will be CE marked as required by Directive 2011/65/EU. Components may not be CE marked. Additionally, the part numbers that TE has identified as EU ELV compliant have a maximum concentration of 0.1% by weight in homogenous materials for lead, hexavalent chromium, and mercury, and 0.01% for cadmium, or qualify for an exemption to these limits as defined in the Annexes of Directive 2000/53/EC (ELV). Regarding the REACH Regulations, TE’s information on SVHC in articles for this part number is still based on the European Chemical Agency (ECHA) ‘Guidance on requirements for substances in articles’(Version: 2, April 2011), applying the 0.1% weight on weight concentration threshold at the finished product level. TE is aware of the European Court of Justice ruling of September 10th, 2015 also known as O5A (Once An Article Always An Article) stating that, in case of ‘complex object’, the threshold for a SVHC must be applied to both the product as a whole and simultaneously to each of the articles forming part of its composition. TE has evaluated this ruling based on the new ECHA “Guidance on requirements for substances in articles” (June 2017, version 4.0) and will be updating its statements accordingly.

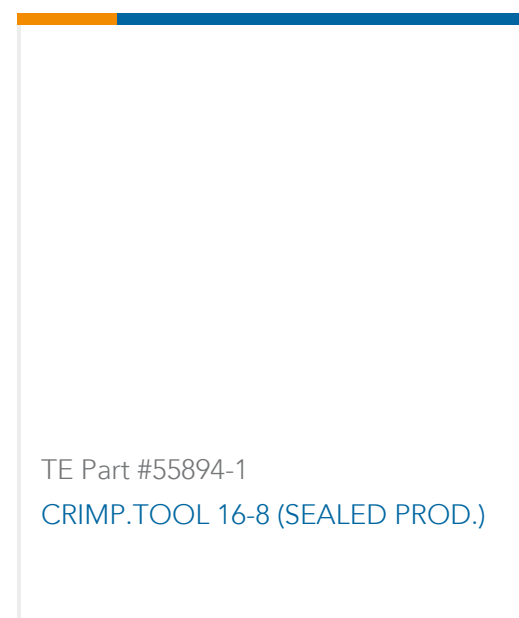
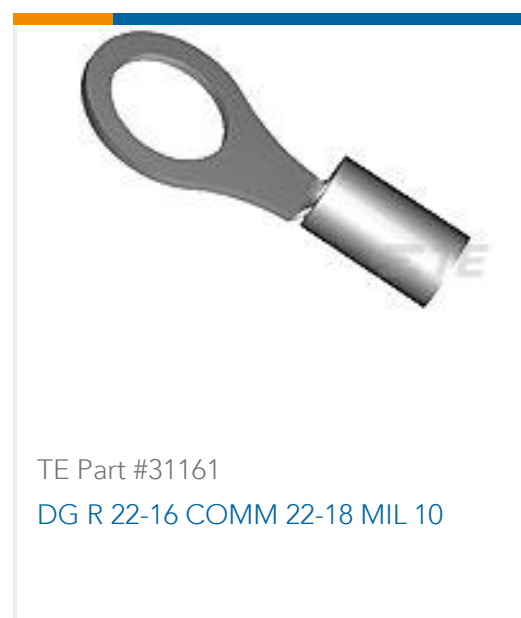
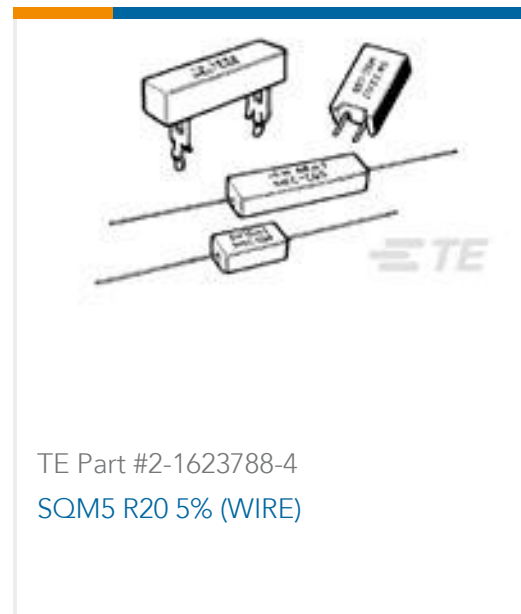
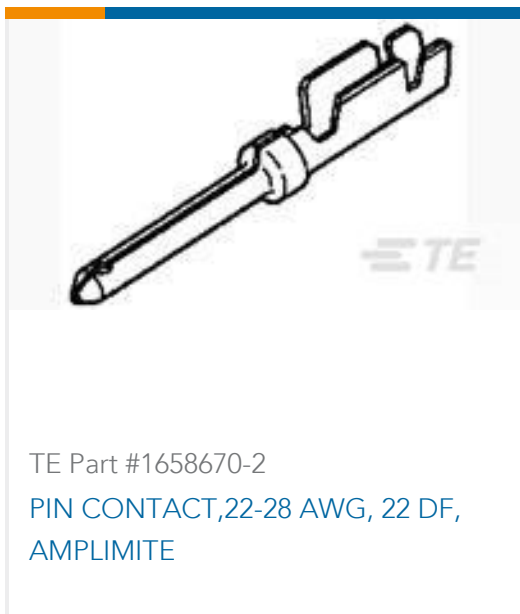
**Compatible Parts**



Also in the Series | **CII FC-335**



Customers Also Bought



Documents

**Product Drawings**  
[FC-335-CW3= RELAY 3PST](#)

English

**Datasheets & Catalog Pages**  
[CII FC-335 Series Relay](#)

English

FC-335-CW3

Mid-Range Relays, 3 Form X, 3PST-NO-DM, Tin-Lead Terminal Plating, 35 A, 28 VDC  
Coil Voltage, 160  $\Omega$  Coil Resistance, 115/200Vac (50-400Hz), CII FC-335

