

9-160463-5 ✓ ACTIVE

**FASTON**

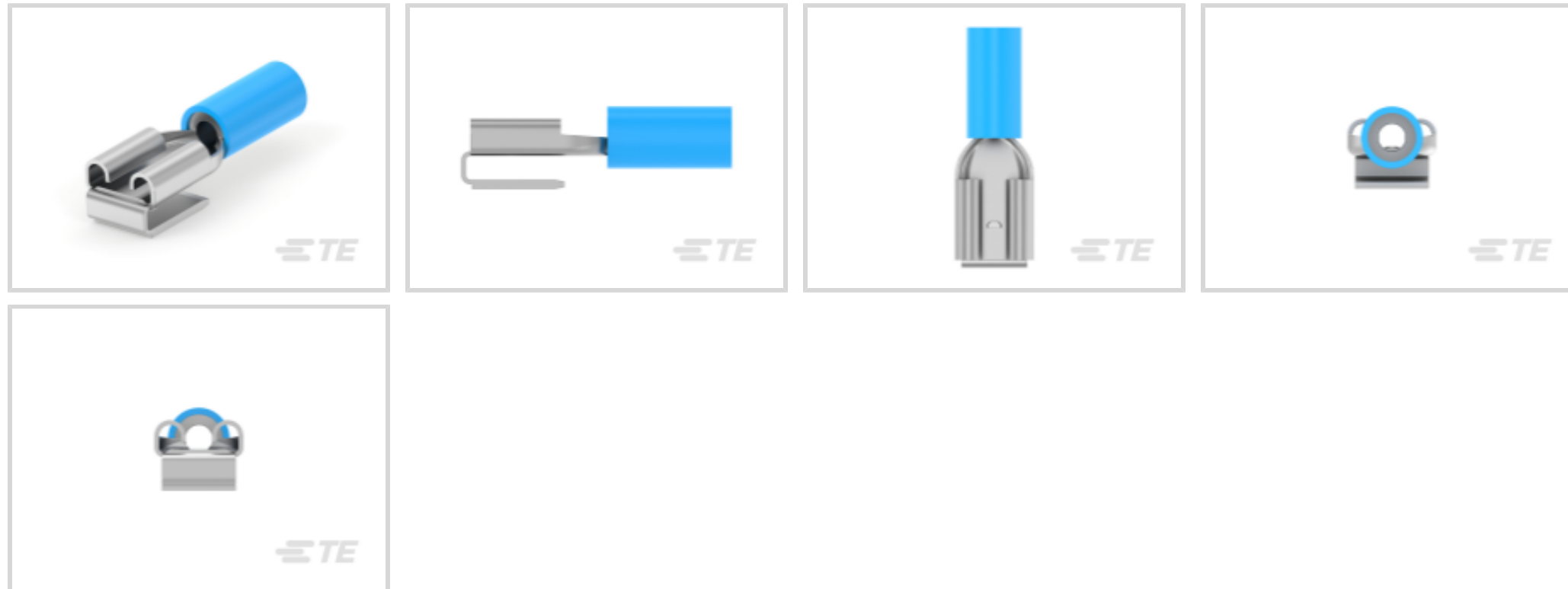
TE Internal #: 9-160463-5

Quick Disconnects, Receptacle, 16 – 14 AWG Wire Size, 1 – 2.5 mm<sup>2</sup> Wire Size, 2050 – 5180 CMA Wire Size, Mating Tab Width 6.35 mm [.25 in], Piggyback

[View on TE.com >](#)



Terminals & Splices > Quick Disconnects



Quick Disconnect Terminal Type: **Receptacle**

Wire Size: **2050 – 5180 CMA**

Mating Tab Width: **6.35 mm [.25 in]**

**Features**

**Product Type Features**

Insertion Force	Normal
-----------------	--------

**Configuration Features**

Connection Capacity	Single
---------------------	--------

**Electrical Characteristics**

Voltage Rating	300 V
----------------	-------

**Body Features**

Insulation Material	Nylon
---------------------	-------

**Contact Features**

Quick Disconnect Terminal Type	Receptacle
Mating Tab Width	6.35 mm [.25 in]
Mating Tab Thickness	.81 mm [.032 in]
Terminal Orientation	Piggyback
Contact Base Material	Phosphor Bronze
Terminal Plating Material	Tin
Crimp Type	Compression



Barrel Type	Closed
-------------	--------

### Termination Features

Product Terminates To	Wire & Cable
-----------------------	--------------

### Mechanical Attachment

Wire Insulation Support	With
-------------------------	------

### Dimensions

Product Length	23.41 mm[.922 in]
----------------	-------------------

Compatible Insulation Diameter Range	4.32 mm[.17 in]
--------------------------------------	-----------------

Wire Size	2050 – 5180 CMA
-----------	-----------------

### Usage Conditions

Insulation Option	Partially Insulated
-------------------	---------------------

Operating Temperature Range	105 °C[221 °F]
-----------------------------	----------------

### Packaging Features

Packaging Quantity	500
--------------------	-----

Packaging Method	Box
------------------	-----

### Other

Barrel Color	Blue
--------------	------

## Product Compliance

[For compliance documentation, visit the product page on TE.com>](#)

EU RoHS Directive 2011/65/EU	Compliant
------------------------------	-----------

EU ELV Directive 2000/53/EC	Compliant
-----------------------------	-----------

China RoHS 2 Directive MIIT Order No 32, 2016	No Restricted Materials Above Threshold
---	---

EU REACH Regulation (EC) No. 1907/2006	Current ECHA Candidate List: JUNE 2023 (235) Candidate List Declared Against: JUNE 2023 (235) Does not contain REACH SVHC
--	---

Halogen Content	Low Halogen - Br, Cl, F, I < 900 ppm per homogenous material. Also BFR/CFR/PVC Free
-----------------	---

Solder Process Capability	Not applicable for solder process capability
---------------------------	--

Product Compliance Disclaimer

This information is provided based on reasonable inquiry of our suppliers and represents our current actual knowledge based on the information they provided. This information is subject to change. The part numbers that TE has identified as EU RoHS compliant have a maximum concentration of 0.1% by weight in homogenous materials for lead, hexavalent chromium, mercury, PBB, PBDE, DBP, BBP, DEHP, DIBP, and 0.01% for cadmium, or qualify for an exemption to these limits as defined in the Annexes of Directive 2011/65/EU (RoHS2). Finished electrical and electronic equipment products will be CE marked as required by Directive 2011/65/EU. Components may not be CE marked. Additionally, the part numbers that TE has identified as EU ELV compliant have a maximum concentration of 0.1% by weight in homogenous materials for lead, hexavalent chromium, and mercury, and 0.01% for cadmium, or qualify for an exemption to these limits as defined in the Annexes of Directive 2000/53/EC (ELV). Regarding the REACH Regulation, the information TE provides on SVHC in articles for this part number is based on the latest European Chemicals Agency (ECHA) 'Guidance on requirements for substances in articles' posted at this URL: <https://echa.europa.eu/guidance-documents/guidance-on-reach>

## Compatible Parts



REPRESENTATION ONLY

TE Part # 47387  
DAHT PG PIDG 20-14 ASSY



TE Part # 58423-1  
DIE, RBY IS9252



REPRESENTATION ONLY

TE Part # 47387-7  
DAHT PG PIDG 16-12 ASSY



TE Part # 58433-3  
PRO CR ASSY, RBY IS9252



TE Part # 539691-2  
ERGO DIE R.B.Y



TE Part # 2063030-1  
SDE DIESET, RBY, UL



TE Part # 169400  
CERTI-LOK FRAME W/O DIES



TE Part # 1SET191001R0000  
CRIMP-HT

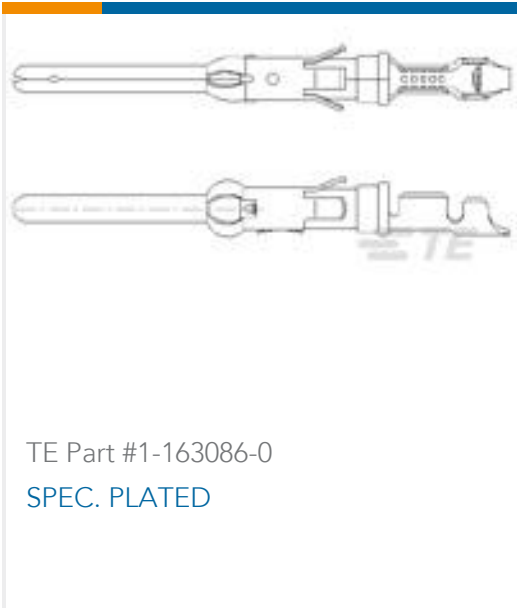
TE Part # 2392022-2  
BLUE BATTERY DAHT KIT 220V (47387-7)

TE Part # 2392022-1  
BLUE BATTERY DAHT KIT 110V (47387-7)



TE Part # 169404  
CERTI-LOK DIE

## Customers Also Bought

TE Part #1-163086-0  
SPEC. PLATED



TE Part #735371-000  
B-150-05-F



TE Part #042313-000  
B-150-23



TE Part #1-1414167-0  
V23134A0056X432-EV-CBOX



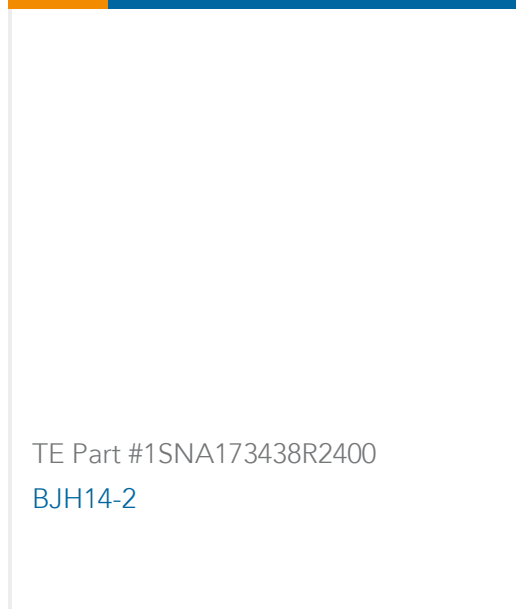
TE Part #621060-000  
D-142-56



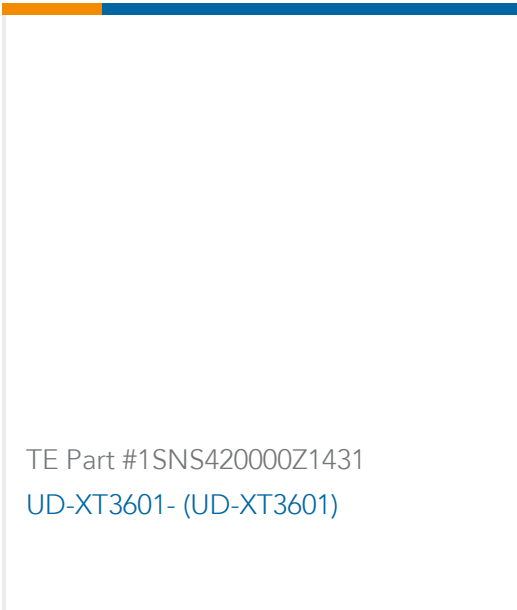
TE Part #D18609-000  
B-155-07-F



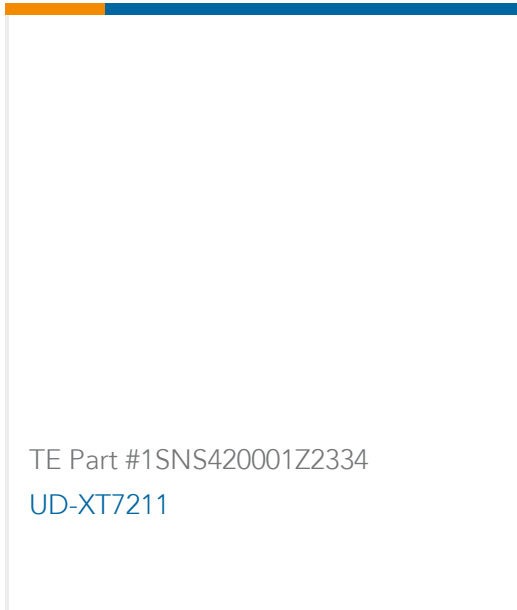
TE Part #342452-2  
5 WAY RELAY BASE.BLACK



TE Part #1SNA173438R2400  
BJH14-2



TE Part #1SNS420000Z1431  
UD-XT3601- (UD-XT3601)



TE Part #1SNS420001Z2334  
UD-XT7211

## Documents

### Product Drawings

[FASTON, PGYBCK, PIDG, PH BR, .250, 16-14](#)

English

### CAD Files

[3D PDF](#)

English

**Customer View Model**

[ENG\\_CVM\\_9-160463-5\\_F2.2d\\_dxf.zip](#)

English

**Customer View Model**

[ENG\\_CVM\\_9-160463-5\\_F2.3d\\_igs.zip](#)

English

**Customer View Model**

[ENG\\_CVM\\_9-160463-5\\_F2.3d\\_stp.zip](#)

English

[3D PDF](#)

3D



**Customer View Model**

[ENG\\_CVM\\_CVM\\_9-160463-5\\_S.2d\\_dxf.zip](#)

English

**Customer View Model**

[ENG\\_CVM\\_CVM\\_9-160463-5\\_S.3d\\_igs.zip](#)

English

**Customer View Model**

[ENG\\_CVM\\_CVM\\_9-160463-5\\_S.3d\\_stp.zip](#)

English

By downloading the CAD file I accept and agree to the [Terms and Conditions](#) of use.

**Product Environmental Compliance**

[Product Compliance Document](#)

English

[Product Compliance Document](#)

English