



AMP

TE Internal #: 9-1478248-0

Hand Crimping Tools, Commercial Crimp Tooling, Removable /Interchangeable, TE Product Specification (108-), Manual, Die Assembly

[View on TE.com >](#)

Application Tooling > Hand Crimping Tools



Tool Grade: **Commercial Crimp Tooling**

Die Sets Type: **Removable/Interchangeable**

Specification Type: **TE Product Specification (108-)**

TE Certification: **Upon Request for Fee**

Power Technology Type: **Manual**

Features

Other

Tool Grade	Commercial Crimp Tooling
Die Sets Type	Removable/Interchangeable
Specification Type	TE Product Specification (108-)
TE Certification	Upon Request for Fee
Power Technology Type	Manual
Tooling Type	Die Assembly

Product Compliance

[For compliance documentation, visit the product page on TE.com>](#)

EU RoHS Directive 2011/65/EU	Out of Scope
EU ELV Directive 2000/53/EC	Out of Scope
China RoHS 2 Directive MIIT Order No 32, 2016	Not reviewed for China RoHS compliance
EU REACH Regulation (EC) No. 1907/2006	Current ECHA Candidate List: JUNE 2023 (235) Candidate List Declared Against: JAN 2021 (211) Does not contain REACH SVHC
Halogen Content	Low Halogen - Br, Cl, F, I < 900 ppm per homogenous material. Also BFR/CFR/PVC Free

Solder Process Capability

Not applicable for solder process capability

Product Compliance Disclaimer

This information is provided based on reasonable inquiry of our suppliers and represents our current actual knowledge based on the information they provided. This information is subject to change. The part numbers that TE has identified as EU RoHS compliant have a maximum concentration of 0.1% by weight in homogenous materials for lead, hexavalent chromium, mercury, PBB, PBDE, DBP, BBP, DEHP, DIBP, and 0.01% for cadmium, or qualify for an exemption to these limits as defined in the Annexes of Directive 2011/65/EU (RoHS2). Finished electrical and electronic equipment products will be CE marked as required by Directive 2011/65/EU. Components may not be CE marked. Additionally, the part numbers that TE has identified as EU ELV compliant have a maximum concentration of 0.1% by weight in homogenous materials for lead, hexavalent chromium, and mercury, and 0.01% for cadmium, or qualify for an exemption to these limits as defined in the Annexes of Directive 2000/53/EC (ELV). Regarding the REACH Regulation, the information TE provides on SVHC in articles for this part number is based on the latest European Chemicals Agency (ECHA) 'Guidance on requirements for substances in articles' posted at this URL: <https://echa.europa.eu/guidance-documents/guidance-on-reach>

Compatible Parts



TE Part # 1-1478916-0
 SMA STR PLG C/CRMP RG174 GSS



TE Part # 1-1337551-0
 FME Str Jk Hex Nickel Pltd RG174A/U,
 188



TE Part # 1-1337478-0
 SMB R/A Plg Hex 50Ohm Gold Pla



TE Part # 1-1337477-0
 SMB Str Jk Hex 50Ohm Gold Pltd
 RG174A/U,



TE Part # 1-1337585-0
 MCX R/A Plg Hex 50Ohm Gold Pltd
 RG174A/U



TE Part # 1-1478924-0
 SMA R/A PLG S/CRMP RG174 GSS



TE Part # 1-1634002-0
 MMCX R/A Plg Hex 50Ohm Gold
 RG174A/U, 18



TE Part # 1-1337608-0
 SMC Str Plg Hex 50Ohm Gold Pltd
 RG174A/U



TE Part # 2-1478951-0
 SMA PNL JK M/CRMP, 4/FLNG RG174
 PSS



TE Part # 2-1478959-0
 SMA B/HD JK M/CRMP RG174 PSS



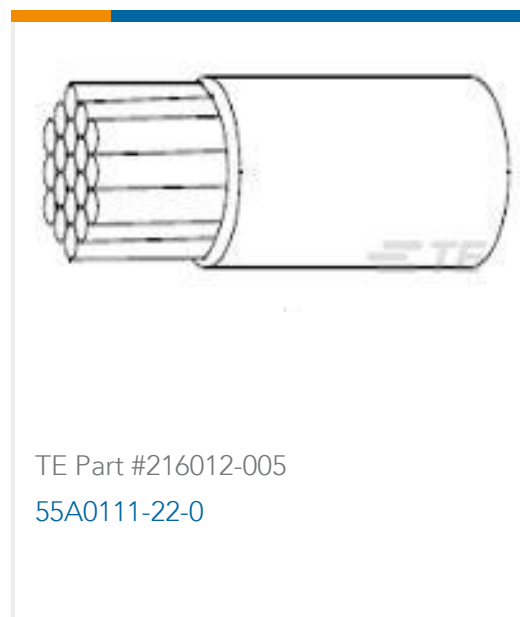
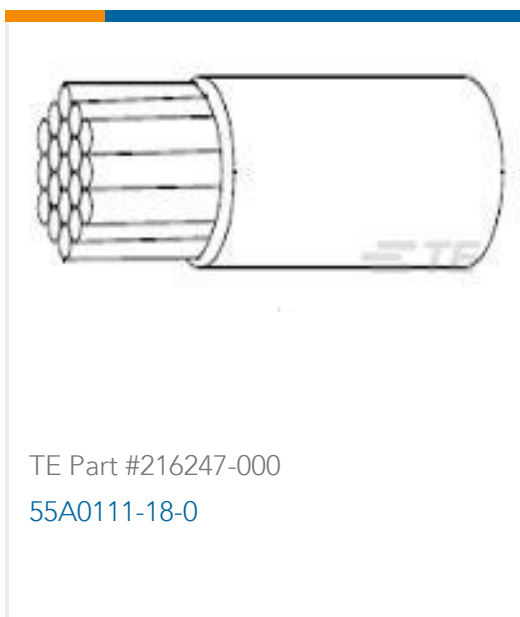
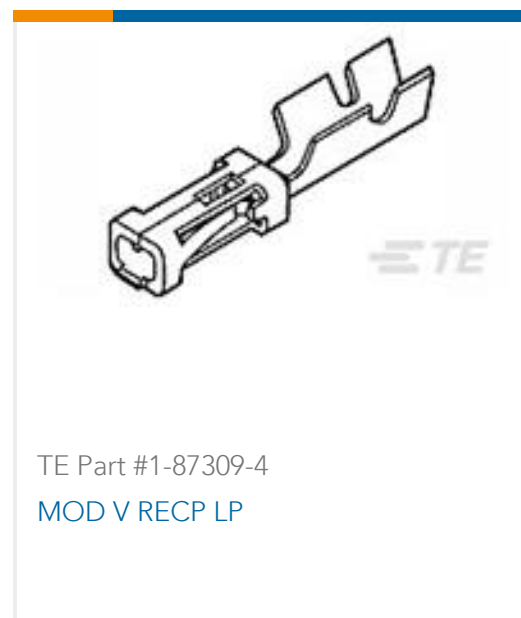
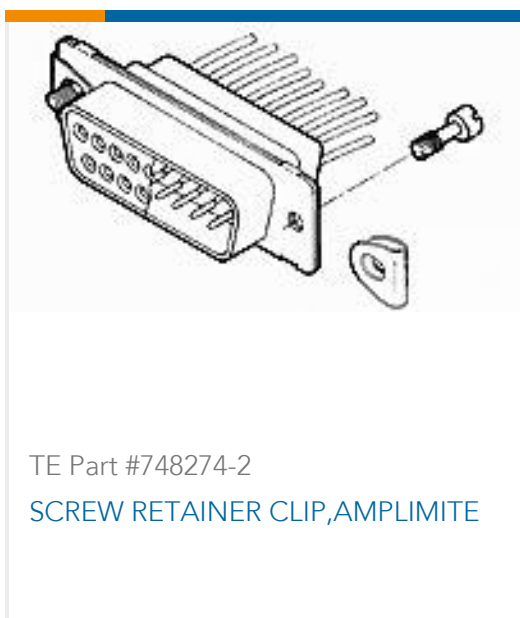
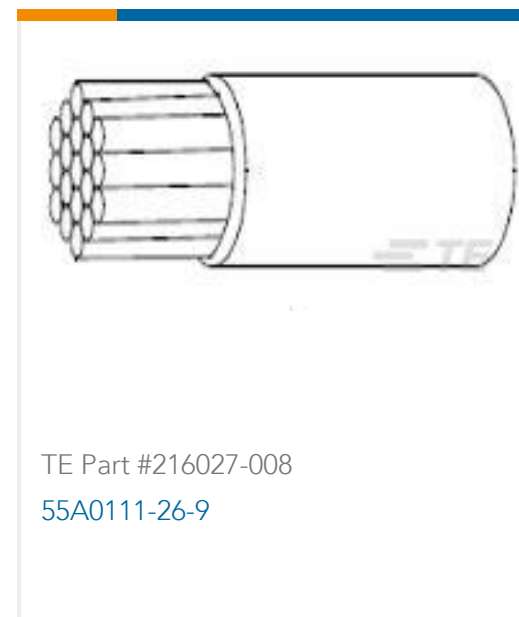
TE Part # 4-1478916-0
 SMA STR PLG C/CRMP RG174 WBB



TE Part # 4-1478924-0
 SMA R/A PLG S/CRMP RG174 WBB



Customers Also Bought



Documents

Datasheets & Catalog Pages

[1-1773865-2_1015_Commercial Manual Hand Tools](#)

English

Bottoming Dies

English

Instruction Sheets

[Instruction Sheet \(U.S.\)](#)

English

