



Product Compliance

[For compliance documentation, visit the product page on TE.com>](#)

EU RoHS Directive 2011/65/EU	Out of Scope
EU ELV Directive 2000/53/EC	Out of Scope
China RoHS 2 Directive MIIT Order No 32, 2016	Not reviewed for China RoHS compliance
EU REACH Regulation (EC) No. 1907/2006	Current ECHA Candidate List: JUNE 2023 (235) Candidate List Declared Against: JAN 2021 (211) Does not contain REACH SVHC
Halogen Content	Low Halogen - Br, Cl, F, I < 900 ppm per homogenous material. Also BFR/CFR/PVC Free
Solder Process Capability	Not applicable for solder process capability

Product Compliance Disclaimer

This information is provided based on reasonable inquiry of our suppliers and represents our current actual knowledge based on the information they provided. This information is subject to change. The part numbers that TE has identified as EU RoHS compliant have a maximum concentration of 0.1% by weight in homogenous materials for lead, hexavalent chromium, mercury, PBB, PBDE, DBP, BBP, DEHP, DIBP, and 0.01% for cadmium, or qualify for an exemption to these limits as defined in the Annexes of Directive 2011/65/EU (RoHS2). Finished electrical and electronic equipment products will be CE marked as required by Directive 2011/65/EU. Components may not be CE marked. Additionally, the part numbers that TE has identified as EU ELV compliant have a maximum concentration of 0.1% by weight in homogenous materials for lead, hexavalent chromium, and mercury, and 0.01% for cadmium, or qualify for an exemption to these limits as defined in the Annexes of Directive 2000/53/EC (ELV). Regarding the REACH Regulation, the information TE provides on SVHC in articles for this part number is based on the latest European Chemicals Agency (ECHA) 'Guidance on requirements for substances in articles' posted at this URL: <https://echa.europa.eu/guidance-documents/guidance-on-reach>

Compatible Parts



TE Part # 1-1337429-0
BNC Str Plg Hex 75Ohm Silver Pltd
RG59B/



TE Part # 1-1337443-0
BNC Str Jk Hex 75Ohm Nickel Pltd
RG59B/U



TE Part # 1-1478075-0
BNC R/A Plg Hex 50Ohm Silver Pltd
RG58C/



TE Part # 1-1478923-0
SMA R/A PLG S/CRMP RG58 GSS

TE Part # 1-1337416-0
N Str Plg Hex 50Ohm Silver Pltd
RG58C/U,

TE Part # 1-1337433-0
BNC RM BHJ Hex 50Ohm Nickel Pltd
RG58C/U

TE Part # 1-1337438-0
BNC R/A Plg Hex 75Ohm Silver Pltd
RG59B/

TE Part # 1-1337441-0
BNC Str Jk Hex 50Ohm Nickel Pltd
RG58C/U

TE Part # 1-1337544-0
BNC R/A Plg Hex 50Ohm Nickel Pltd
RG58C/

TE Part # 1-1337434-0
BNC RM BHJ Hex 50Ohm Silver Pltd
RG58C/U

TE Part # 1-1478915-0
SMA STR PLG C/CRMP RG58 GSS

TE Part # 1-1337525-0
BNC R/A Plg Hex 75Ohm Nickel Pltd
RG59B/

TE Part # 1-1337631-0
N Str Plg Hex 50Ohm Nickel Plt

TE Part # 2-1478921-0
SMA STR PLG M/CRMP RG55 PSS

TE Part # 2-1478923-0
SMA R/A PLG S/CRMP RG58 PSS

TE Part # 4-1478915-0
SMA STR PLG C/CRMP RG58 WBB

TE Part # 4-1478923-0
SMA R/A PLG S/CRMP RG58 WBB

TE Part # 6-1337416-0
N Str Plg Hex 50Ohm Silver Pltd
RG58C/U,

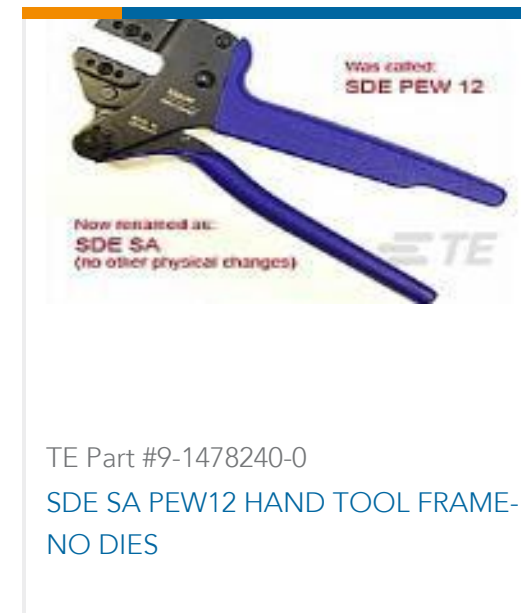
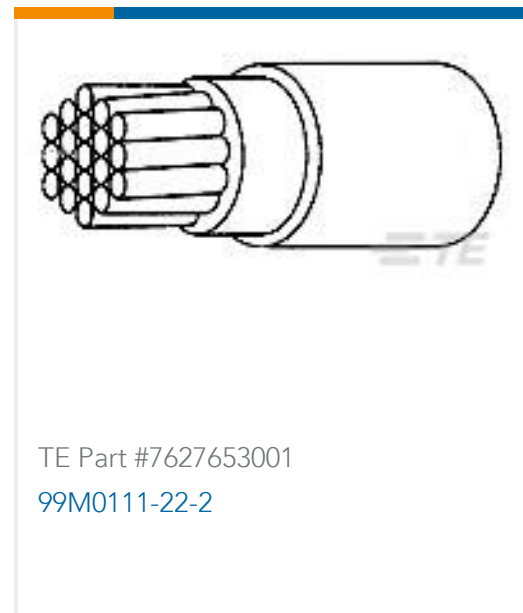
Customers Also Bought

TE Part #1-5747301-4
37 RCPT SP/FMS SCRLK

TE Part #3-5177986-2
0.8FH,P08H.5,060,08/Sn,TR,SC

TE Part #1-1337443-0
BNC Str Jk Hex 75Ohm Nickel Pltd
RG59B/U

TE Part #282834-8
TERMI-BLOK PCB MOUNT, 90 8P.



Documents

Datasheets & Catalog Pages

[1-1773865-2_1015_Commercial Manual Hand Tools](#)

English

Instruction Sheets

[Instruction Sheet \(U.S.\)](#)

English