



AMP

TE Internal #: 9-1478240-0

Hand Crimping Tools, Commercial Crimp Tooling, Operator Releasable & Adjustable, Removable/Interchangeable, Manual, SDE SA Frame Assembly

[View on TE.com >](#)

Application Tooling > Hand Crimping Tools



Tool Grade: **Commercial Crimp Tooling**

Ratchet Configuration: **Operator Releasable & Adjustable**

Die Sets Type: **Removable/Interchangeable**

TE Certification: **Upon Request for Fee**

Power Technology Type: **Manual**

Features

Other

Tool Grade	Commercial Crimp Tooling
Ratchet Configuration	Operator Releasable & Adjustable
Die Sets Type	Removable/Interchangeable
TE Certification	Upon Request for Fee
Power Technology Type	Manual
Tooling Type	SDE SA Frame Assembly

Product Compliance

[For compliance documentation, visit the product page on TE.com>](#)

EU RoHS Directive 2011/65/EU	Not Compliant
EU ELV Directive 2000/53/EC	Out of Scope
China RoHS 2 Directive MIIT Order No 32, 2016	Restricted Materials Above Threshold
EU REACH Regulation (EC) No. 1907/2006	Current ECHA Candidate List: JUNE 2023 (235) Candidate List Declared Against: JUNE 2023 (235) SVHC > Threshold: Pb (.35% in Component Part) Article Safe Usage Statements: Do not eat, drink or smoke when using this product. Wash thoroughly after handling. Recycle if possible and dispose of the article by following all applicable governmental regulations relevant to your geographic location.

Halogen Content

Low Halogen - Br, Cl, F, I < 900 ppm per homogenous material. Also BFR/CFR/PVC Free

Solder Process Capability

Not applicable for solder process capability

Product Compliance Disclaimer

This information is provided based on reasonable inquiry of our suppliers and represents our current actual knowledge based on the information they provided. This information is subject to change. The part numbers that TE has identified as EU RoHS compliant have a maximum concentration of 0.1% by weight in homogenous materials for lead, hexavalent chromium, mercury, PBB, PBDE, DBP, BBP, DEHP, DIBP, and 0.01% for cadmium, or qualify for an exemption to these limits as defined in the Annexes of Directive 2011/65/EU (RoHS2). Finished electrical and electronic equipment products will be CE marked as required by Directive 2011/65/EU. Components may not be CE marked. Additionally, the part numbers that TE has identified as EU ELV compliant have a maximum concentration of 0.1% by weight in homogenous materials for lead, hexavalent chromium, and mercury, and 0.01% for cadmium, or qualify for an exemption to these limits as defined in the Annexes of Directive 2000/53/EC (ELV). Regarding the REACH Regulation, the information TE provides on SVHC in articles for this part number is based on the latest European Chemicals Agency (ECHA) 'Guidance on requirements for substances in articles' posted at this URL: <https://echa.europa.eu/guidance-documents/guidance-on-reach>

Compatible Parts



TE Part # 170204-4
170262-4 LP E1CRIMP SNAP IN



TE Part # 170204-1
EIS RECPT CONTACT



TE Part # 170204-2
EIS CONTACT



TE Part # 150072-1
22-16 PIDG R/T 7/16" STUD EXP



TE Part # 696451-1
PIDG 22-16 K-D,NI-PL



TE Part # 1-1377174-1
SMP 0-0165168-0



TE Part # 322419
TERMINAL,BUDG R 16-14 4



TE Part # 130232
SOLIS R 12-10 10MM



TE Part # 1-1377174-7
SMP 0-0165049-0



TE Part # 130228
SOLIS R 12-10 5MM



TE Part # 130230
SOLIS R 12-10 6MM



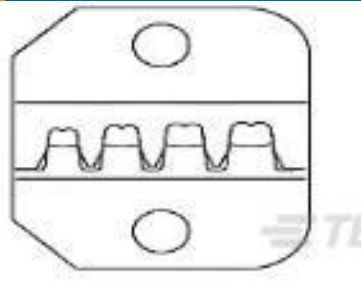
TE Part # 1-2305020-2
PLUG ASSY, KEY B, CPA, HVA280-2PHI, 4MM2




TE Part # 1-2305020-5
PLUG ASSY, KEY E, CPA, HVA280-2PHI, 4MM2



TE Part # 1-322419-2
BUDGET RING 16-14 6



TE Part # 1804039-1
SDE DIE,RAYCHM 22-10



TE Part # 1976147-1
SDE COMMERCIAL TOOL OR DIE



TE Part # 1976149-2
SDE COMMERCIAL DIE SET



TE Part # 2063030-1
SDE DIESET, RBY, UL



TE Part # 2063567-1
SDE MCP4.8K 1.1-3.0mm2 ASSY



TE Part # 2217611-1
Assembly, Triple Hex Die Set

Customers Also Bought



TE Part #9-1462037-9
IM06CGR=IM RELAY 140mW12V HDV



TE Part #2154854-1
SlimSeal Assembly, Plug, 1 position



TE Part #3-330808-8
SOCKET,MIN-SPR W/KO AU SER-1




TE Part #D20444-000
FL2500-NO.1-18-0-STK



TE Part #964339-2
MAG MATE KONT. MKII



TE Part #9-1478242-0
PRO-C HEX DIE RG58-RG59-URM70



TE Part #2063013-6
SDE DIE SET, 7.40 HEX



TE Part #K1023014
Micro Switch MND1 142 050 923

Documents

Datasheets & Catalog Pages

[1-1773865-2_1015_Commercial Manual Hand Tools](#)

English

Bottoming Dies

English

[1-1773732-4_DYNAMIC_SERIES_CATALOG_ENGLISH](#)

Japanese

[1-1773732-4_DYNAMIC_SERIES_CATALOG_ENGLISH](#)



English

Instruction Sheets

Instruction Sheet (U.S.)

English

Instruction Sheet (U.S.)

English