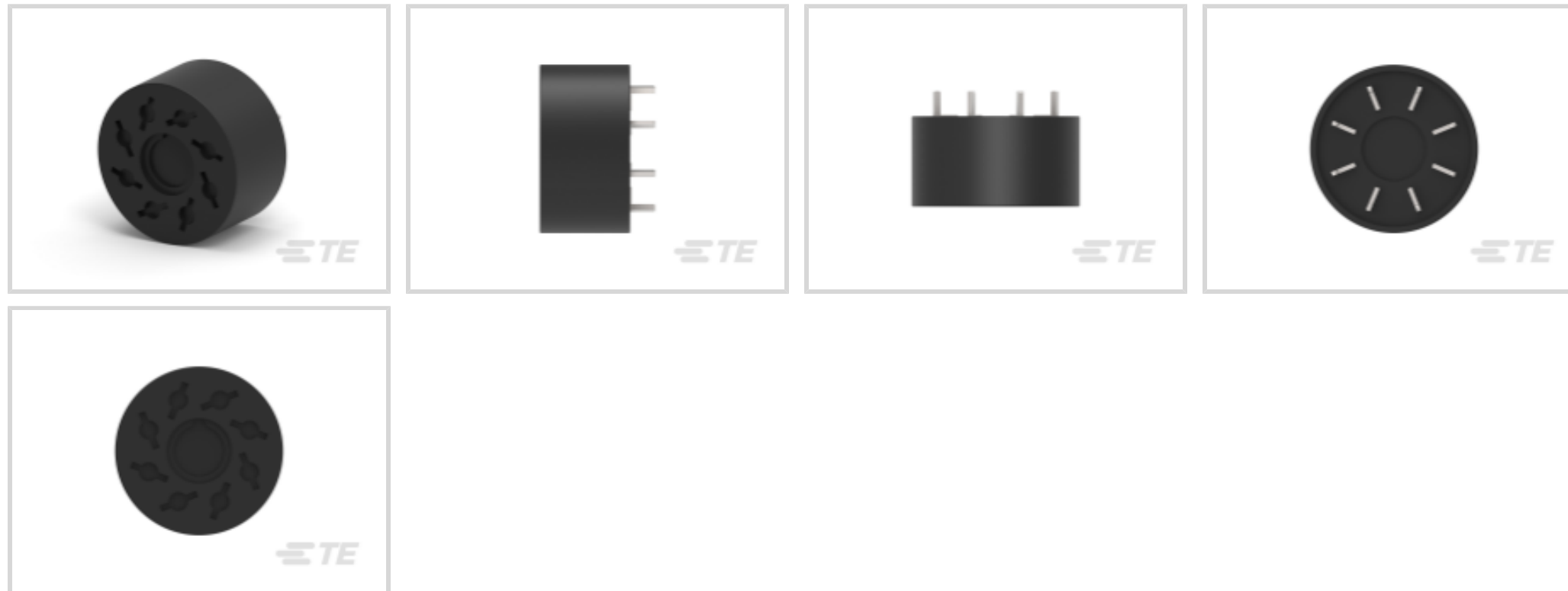




Relays, Contactors & Switches > Relays > Relay Accessories, Sockets & Clips



Relay Accessory, Socket & Clip Product Type: **Socket**

Relay Accessory, Socket & Clip Socket Type: **Printed Circuit Board**

Grounding Provision: **Without**

Relay Accessory, Socket & Clip Mounting Type: **Printed Circuit Board**

Pole Configuration: **2**

Features

Product Type Features

Relay Accessory, Socket & Clip Product Type	Socket
Relay Accessory Type	Socket

Configuration Features

Grounding Provision	Without
---------------------	---------

Contact Features

Relay Accessory, Socket & Clip Socket Type	Printed Circuit Board
Pole Configuration	2

Mechanical Attachment

Relay Accessory, Socket & Clip Mounting Type	Printed Circuit Board
--	-----------------------

Product Compliance

[For compliance documentation, visit the product page on TE.com>](#)

EU RoHS Directive 2011/65/EU	Compliant
EU ELV Directive 2000/53/EC	Compliant
China RoHS 2 Directive MIIT Order No 32, 2016	No Restricted Materials Above Threshold

EU REACH Regulation (EC) No. 1907/2006

Current ECHA Candidate List: JUNE 2023
(235)Candidate List Declared Against: JAN 2023
(233)

Does not contain REACH SVHC

Halogen Content

Low Halogen - Br, Cl, F, I < 900 ppm per
homogenous material. Also BFR/CFR/PVC
Free

Solder Process Capability

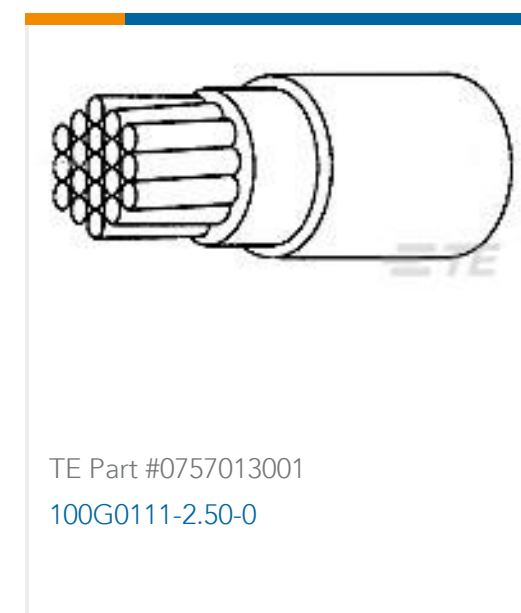
Wave solder capable to 265°C

Product Compliance Disclaimer

This information is provided based on reasonable inquiry of our suppliers and represents our current actual knowledge based on the information they provided. This information is subject to change. The part numbers that TE has identified as EU RoHS compliant have a maximum concentration of 0.1% by weight in homogenous materials for lead, hexavalent chromium, mercury, PBB, PBDE, DBP, BBP, DEHP, DIBP, and 0.01% for cadmium, or qualify for an exemption to these limits as defined in the Annexes of Directive 2011/65/EU (RoHS2). Finished electrical and electronic equipment products will be CE marked as required by Directive 2011/65/EU. Components may not be CE marked. Additionally, the part numbers that TE has identified as EU ELV compliant have a maximum concentration of 0.1% by weight in homogenous materials for lead, hexavalent chromium, and mercury, and 0.01% for cadmium, or qualify for an exemption to these limits as defined in the Annexes of Directive 2000/53/EC (ELV). Regarding the REACH Regulation, the information TE provides on SVHC in articles for this part number is based on the latest European Chemicals Agency (ECHA) 'Guidance on requirements for substances in articles' posted at this URL: <https://echa.europa.eu/guidance-documents/guidance-on-reach>

Also in the Series

Customers Also Bought



Documents

CAD Files

3D PDF

3D

Customer View Model

[ENG_CVM_CVM_9-1415043-1_A1.2d_dxf.zip](#)

English

Customer View Model

[ENG_CVM_CVM_9-1415043-1_A1.3d_igs.zip](#)

English



Customer View Model

[ENG_CVM_CVM_9-1415043-1_A1.3d_stp.zip](#)

English

By downloading the CAD file I accept and agree to the [Terms and Conditions](#) of use.

Datasheets & Catalog Pages

[Accessories - Power Relay MT](#)

English

Product Specifications

[Definitions General Purpose Relays](#)

English