

9-1415036-1 ✓ ACTIVE

SCHRACK

| [SCHRACK Accessories Miniature Relay PT](#),  
[SCHRACK Accessories PT/RT/XT](#)

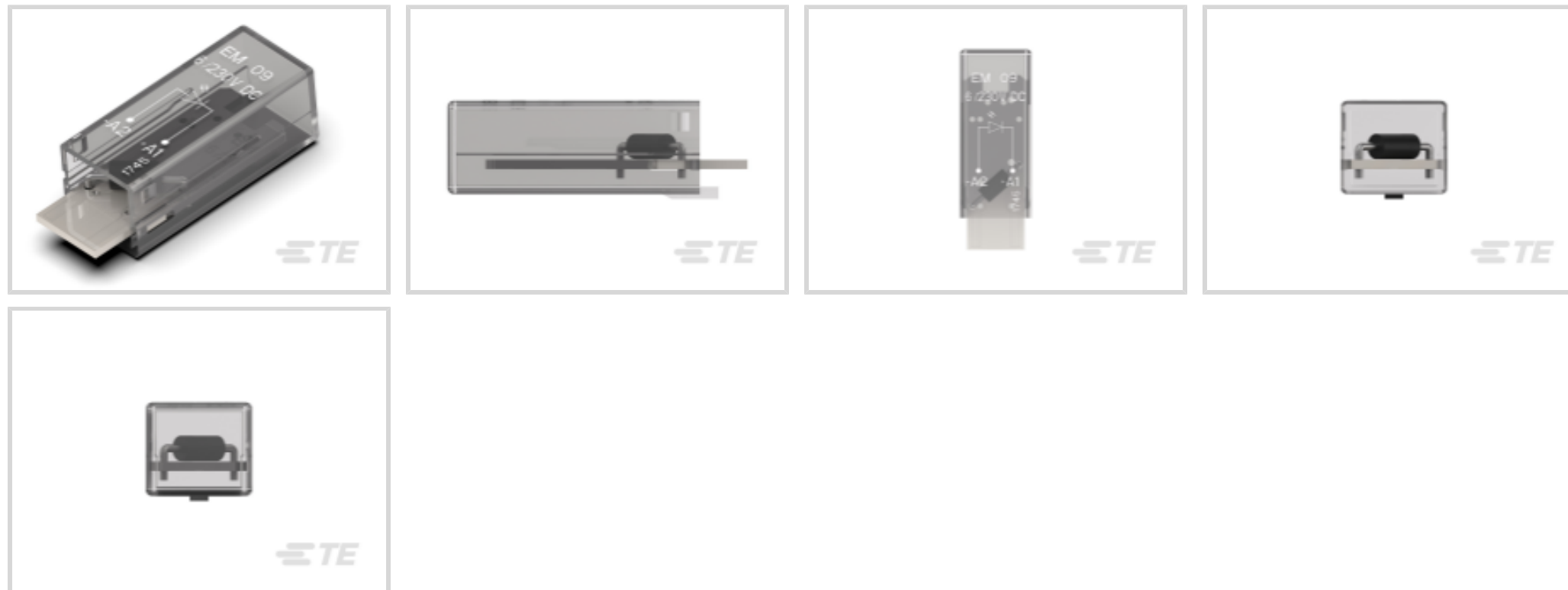
TE Internal #: 9-1415036-1

Relay Accessories, Sockets & Clips, Accessory, Protection Module,  
SCHRACK Accessories Miniature Relay PT

[View on TE.com >](#)



Relays, Contactors & Switches > Relays > Relay Accessories, Sockets & Clips



Relay Accessory, Socket & Clip Product Type: **Accessory**

Grounding Provision: **Without**

Relay Accessory Type: **Protection Module**

## Features

### Product Type Features

Relay Accessory, Socket & Clip Product Type	Accessory
Relay Accessory Type	Protection Module

### Configuration Features

Grounding Provision	Without
---------------------	---------

## Product Compliance

[For compliance documentation, visit the product page on TE.com>](#)

EU RoHS Directive 2011/65/EU	Compliant with Exemptions
EU ELV Directive 2000/53/EC	Compliant with Exemptions
China RoHS 2 Directive MIIT Order No 32, 2016	Restricted Materials Above Threshold
EU REACH Regulation (EC) No. 1907/2006	Current ECHA Candidate List: JUNE 2023 (235) Candidate List Declared Against: JUNE 2023 (235) Does not contain REACH SVHC
Halogen Content	BFR/CFR/PVC Free, but Br/Cl >900 ppm in other sources.

Solder Process Capability

Not applicable for solder process capability

Product Compliance Disclaimer

This information is provided based on reasonable inquiry of our suppliers and represents our current actual knowledge based on the information they provided. This information is subject to change. The part numbers that TE has identified as EU RoHS compliant have a maximum concentration of 0.1% by weight in homogenous materials for lead, hexavalent chromium, mercury, PBB, PBDE, DBP, BBP, DEHP, DIBP, and 0.01% for cadmium, or qualify for an exemption to these limits as defined in the Annexes of Directive 2011/65/EU (RoHS2). Finished electrical and electronic equipment products will be CE marked as required by Directive 2011/65/EU. Components may not be CE marked. Additionally, the part numbers that TE has identified as EU ELV compliant have a maximum concentration of 0.1% by weight in homogenous materials for lead, hexavalent chromium, and mercury, and 0.01% for cadmium, or qualify for an exemption to these limits as defined in the Annexes of Directive 2000/53/EC (ELV). Regarding the REACH Regulation, the information TE provides on SVHC in articles for this part number is based on the latest European Chemicals Agency (ECHA) 'Guidance on requirements for substances in articles' posted at this URL: <https://echa.europa.eu/guidance-documents/guidance-on-reach>

## Compatible Parts



TE Part # 5-1415026-1  
PT580L24



TE Part # 1415526-1  
PT78722



TE Part # 8-1419111-1  
PT570048



TE Part # 8-1419111-0  
PT570012



TE Part # 6-1415034-1  
PT78720



TE Part # 1-1415526-1  
PT78742



TE Part # 1-1393154-7  
PT580024



TE Part # 1-1393154-2  
PT570024



TE Part # 6-1415035-1  
RT78726



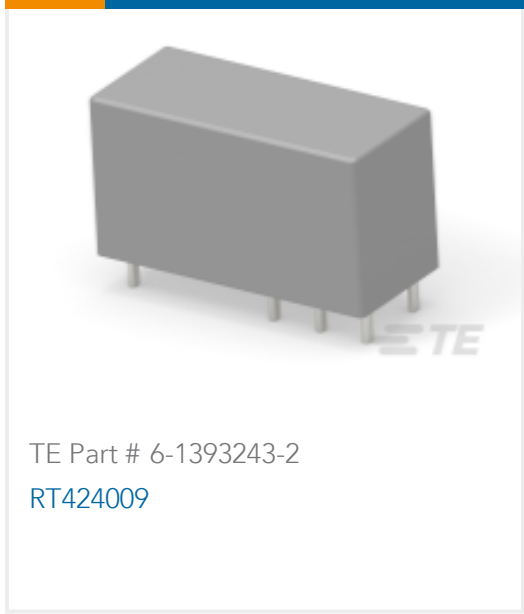
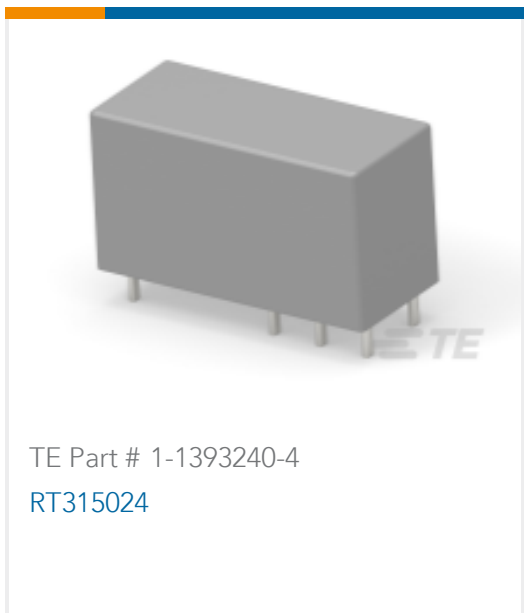
TE Part # 1860306-1  
RT78725



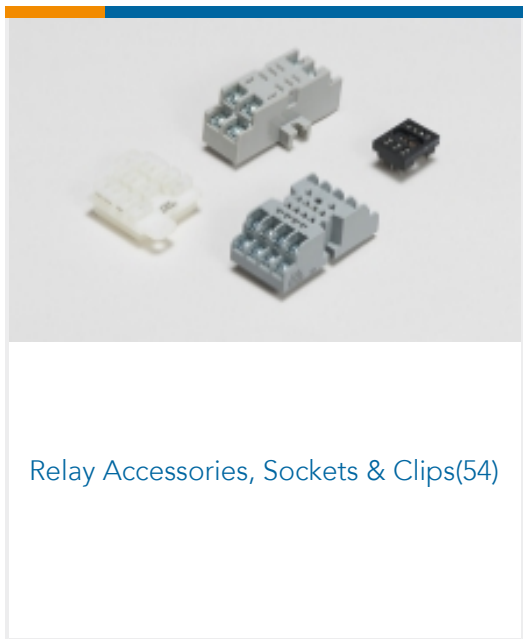
TE Part # 1-1393154-3  
PT570125



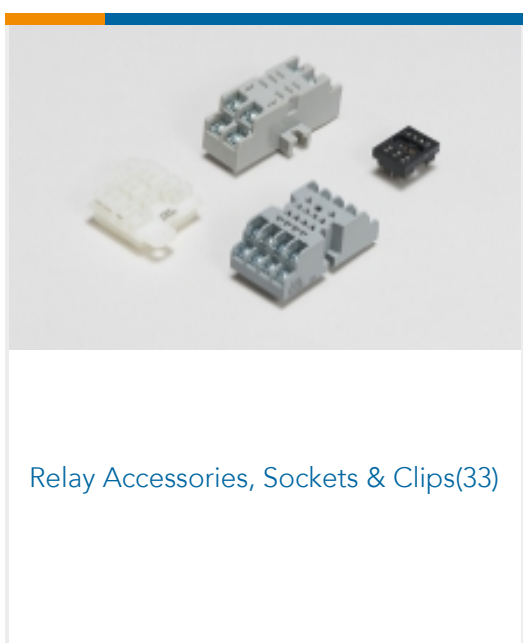
TE Part # 1393239-8  
RT114006



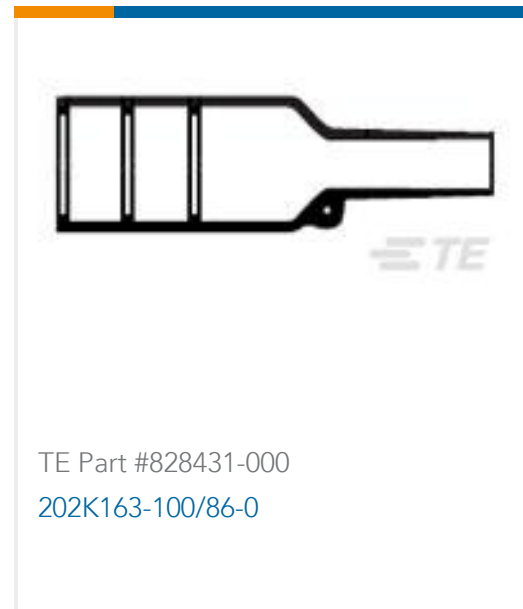
Also in the Series | **SCHRACK Accessories Miniature Relay PT**



Also in the Series | **SCHRACK Accessories PT/RT/XT**



Customers Also Bought



## Documents

### CAD Files

#### 3D PDF

3D

#### Customer View Model

[ENG\\_CVM\\_CVM\\_9-1415036-1\\_B.2d\\_dxf.zip](#)

English

#### Customer View Model

[ENG\\_CVM\\_CVM\\_9-1415036-1\\_B.3d\\_igs.zip](#)

English

#### Customer View Model

[ENG\\_CVM\\_CVM\\_9-1415036-1\\_B.3d\\_stp.zip](#)

English

By downloading the CAD file I accept and agree to the [Terms and Conditions](#) of use.

### Datasheets & Catalog Pages

#### Accessories - Miniature Relay PT

English

#### Accessories - Power PCB Relay RT

English

#### Accessories - Power Relay XT

English

#### Accessories Force Guided Relay SR2M Plug-in

English

### Product Specifications

#### Definitions General Purpose Relays

English

