

89-05KA-0U ✓ ACTIVE

MEAS | MEAS 89 Series

TE Internal #: 89-05KA-0U

TE Internal Description: 5K PSIA 316L MV PRESSURE SENSOR

9MM MV OUTPUT PRESSURE SENSOR

[View on TE.com >](#)



Sensors > Pressure Sensors > Media Isolated Pressure Sensors > 9MM MV OUTPUT PRESSURE SENSOR



Pressure: [ 5000 psi ]

Media Isolated Pressure Sensor Type: **Media Isolated mV Output Pressure Sensors**

Media Isolated Pressure Sensor Style: **Absolute**

Output/Span: **Sensitivity = 15 - 28mV/V**

Media Isolated Pressure Sensor Supply Voltage: **5 V**

[All 9MM MV OUTPUT PRESSURE SENSOR \(11\)](#)

## Features

### Product Type Features

Media Isolated Pressure Sensor Type	Media Isolated mV Output Pressure Sensors
Media Isolated Pressure Sensor Style	Absolute

### Configuration Features

Electrical Connection	Wire Leads
Pressure Port/Fitting	Weldable (No Thread)

### Electrical Characteristics

Supply Current	1.5 mA
Media Isolated Pressure Sensor Supply Voltage	5 V

### Dimensions

Dimensions	Dia 9.04 x 13.2 mm [Dia .356 x .52 in]
------------	--

### Usage Conditions

Operating Temperature Range	-40 – 125 °C [-40 – 257 °F]
-----------------------------	-----------------------------

### Operation/Application

Proof Pressure Range	3X 5000 psi
Output/Span	Sensitivity = 15 - 28mV/V

### Packaging Features

Media Isolated Pressure Sensor Package	Weldable
--	----------

### Other

Non-Linearity	± .25 %
---------------	---------

### Product Compliance

[For compliance documentation, visit the product page on TE.com>](#)

EU RoHS Directive 2011/65/EU	Compliant
EU ELV Directive 2000/53/EC	Compliant with Exemptions
China RoHS 2 Directive MIIT Order No 32, 2016	No Restricted Materials Above Threshold
EU REACH Regulation (EC) No. 1907/2006	Current ECHA Candidate List: JUNE 2023 (235) Candidate List Declared Against: JUNE 2023 (235) Does not contain REACH SVHC
Halogen Content	Not Yet Reviewed for halogen content
Solder Process Capability	Not reviewed for solder process capability

#### Product Compliance Disclaimer

This information is provided based on reasonable inquiry of our suppliers and represents our current actual knowledge based on the information they provided. This information is subject to change. The part numbers that TE has identified as EU RoHS compliant have a maximum concentration of 0.1% by weight in homogenous materials for lead, hexavalent chromium, mercury, PBB, PBDE, DBP, BBP, DEHP, DIBP, and 0.01% for cadmium, or qualify for an exemption to these limits as defined in the Annexes of Directive 2011/65/EU (RoHS2). Finished electrical and electronic equipment products will be CE marked as required by Directive 2011/65/EU. Components may not be CE marked. Additionally, the part numbers that TE has identified as EU ELV compliant have a maximum concentration of 0.1% by weight in homogenous materials for lead, hexavalent chromium, and mercury, and 0.01% for cadmium, or qualify for an exemption to these limits as defined in the Annexes of Directive 2000/53/EC (ELV). Regarding the REACH Regulation, the information TE provides on SVHC in articles for this part number is based on the latest European Chemicals Agency (ECHA) 'Guidance on requirements for substances in articles' posted at this URL: <https://echa.europa.eu/guidance-documents/guidance-on-reach>

### Compatible Parts

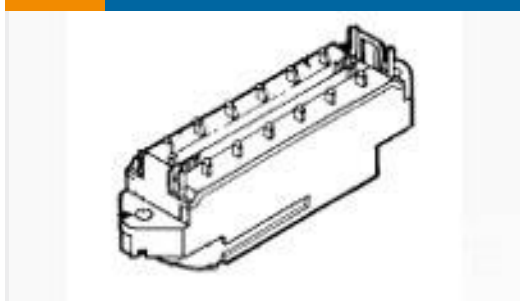


Also in the Series | [MEAS 89 Series](#)



Media Isolated Pressure Sensors(40)

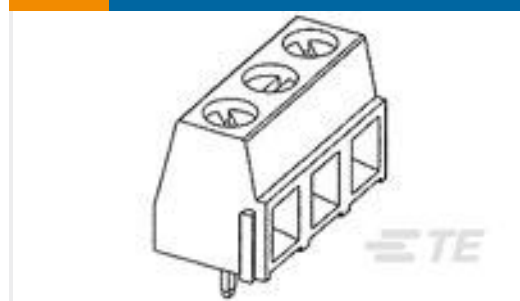
## Customers Also Bought



TE Part #554103-1  
PLUG ASSY,24 POSN,PNL MTG,L PF



TE Part #T4111001041-000  
RPC-M12-MS-4CON-PG7-MU



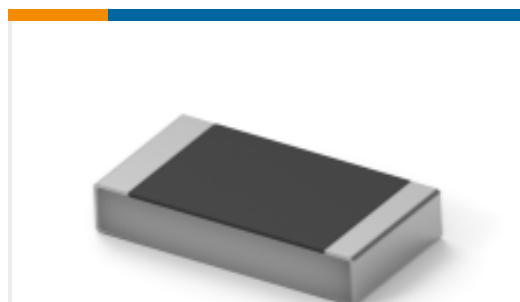
TE Part #2-282837-1  
TERMI-BLOK PCB MOUNT 21P



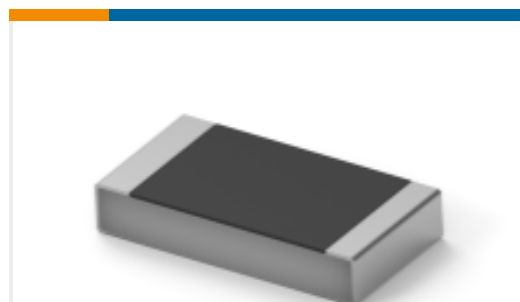
TE Part #5557566-1  
MOD JK ASSY,8PORT,8POSN,RTANG



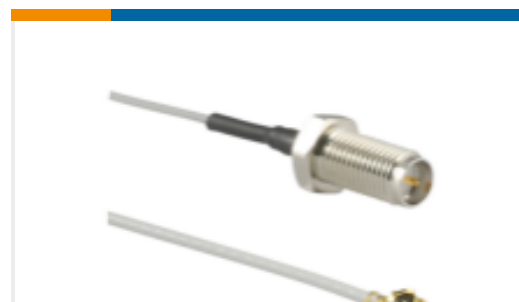
TE Part #89-10KA-0U  
NISO,NO FIT,LEADS



TE Part #2176458-1  
CPF 1206 1R0 0.1% 25ppm 1K RL



TE Part #2-2176458-5  
CPF 1206 1R78 0.1% 25ppm 1K RL



TE Part #CSI-RSFB-100-UFFR  
RP-SMA to U.FL/MHF1 100mm 1.13  
OD



TE Part #NB20424001  
VERSAFIT-3/32-0-SP



TE Part #89-05KA-0C  
NISO,ABS,NO FIT,CONN

## Documents

### CAD Files

[3D PDF](#)

[3D](#)

### Customer View Model

[ENG\\_CVM\\_CVM\\_89-05KA-0U\\_C.2d\\_dxf.zip](#)

English

### Customer View Model

[ENG\\_CVM\\_CVM\\_89-05KA-0U\\_C.3d\\_igs.zip](#)



English

Customer View Model

[ENG\\_CVM\\_CVM\\_89-05KA-0U\\_C.3d\\_stp.zip](#)

English

By downloading the CAD file I accept and agree to the [Terms and Conditions](#) of use.

---

## Datasheets & Catalog Pages

[89U](#)

English