

89-03KS-4R ✓ ACTIVE

MEAS | MEAS 89 Series

TE Internal #: 89-03KS-4R

TE Internal Description: 3K PSIS 316L MV RIBBON PRESSURE SENSOR

9MM MV OUTPUT PRESSURE SENSOR

[View on TE.com >](#)



Sensors > Pressure Sensors > Media Isolated Pressure Sensors > 9MM MV OUTPUT PRESSURE SENSOR



Pressure: [3000 psi]

Media Isolated Pressure Sensor Type: **Media Isolated mV Output Pressure Sensors**

Media Isolated Pressure Sensor Style: **Sealed Gauge**

Output/Span: **125 mV**

Operating Temperature Range: **-40 – 125 °C [-40 – 257 °F]**

[All 9MM MV OUTPUT PRESSURE SENSOR \(11\)](#)

Features

Product Type Features

Media Isolated Pressure Sensor Type	Media Isolated mV Output Pressure Sensors
Media Isolated Pressure Sensor Style	Sealed Gauge

Configuration Features

Electrical Connection	Ribbon Cable
Pressure Port/Fitting	1/4-18 NPT (5/8 Hex)

Electrical Characteristics

Supply Current	1.5 mA
----------------	--------

Dimensions

Dimensions	Dia 9.04 x 13.2 mm [Dia .356 x .52 in]
------------	--

Usage Conditions

Operating Temperature Range	-40 – 125 °C [-40 – 257 °F]
-----------------------------	-------------------------------

Operation/Application

Proof Pressure Range	3X 3000 psi
Output/Span	125 mV

Packaging Features

Media Isolated Pressure Sensor Package

Threaded Process Fittings

Other

Non-Linearity

± .25 %

Product Compliance

[For compliance documentation, visit the product page on TE.com>](#)

EU RoHS Directive 2011/65/EU

Compliant

EU ELV Directive 2000/53/EC

Compliant with Exemptions

China RoHS 2 Directive MIIT Order No 32, 2016

No Restricted Materials Above Threshold

EU REACH Regulation (EC) No. 1907/2006

Current ECHA Candidate List: JUNE 2023 (235)
 Candidate List Declared Against: JUNE 2023 (235)
 Does not contain REACH SVHC

Halogen Content

Not Yet Reviewed for halogen content

Solder Process Capability

Not reviewed for solder process capability

Product Compliance Disclaimer

This information is provided based on reasonable inquiry of our suppliers and represents our current actual knowledge based on the information they provided. This information is subject to change. The part numbers that TE has identified as EU RoHS compliant have a maximum concentration of 0.1% by weight in homogenous materials for lead, hexavalent chromium, mercury, PBB, PBDE, DBP, BBP, DEHP, DIBP, and 0.01% for cadmium, or qualify for an exemption to these limits as defined in the Annexes of Directive 2011/65/EU (RoHS2). Finished electrical and electronic equipment products will be CE marked as required by Directive 2011/65/EU. Components may not be CE marked. Additionally, the part numbers that TE has identified as EU ELV compliant have a maximum concentration of 0.1% by weight in homogenous materials for lead, hexavalent chromium, and mercury, and 0.01% for cadmium, or qualify for an exemption to these limits as defined in the Annexes of Directive 2000/53/EC (ELV). Regarding the REACH Regulation, the information TE provides on SVHC in articles for this part number is based on the latest European Chemicals Agency (ECHA) 'Guidance on requirements for substances in articles' posted at this URL: <https://echa.europa.eu/guidance-documents/guidance-on-reach>

Compatible Parts



Also in the Series | [MEAS 89 Series](#)



Media Isolated Pressure Sensors(40)

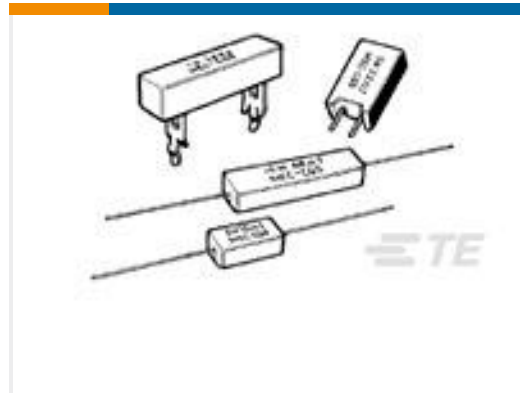
Customers Also Bought



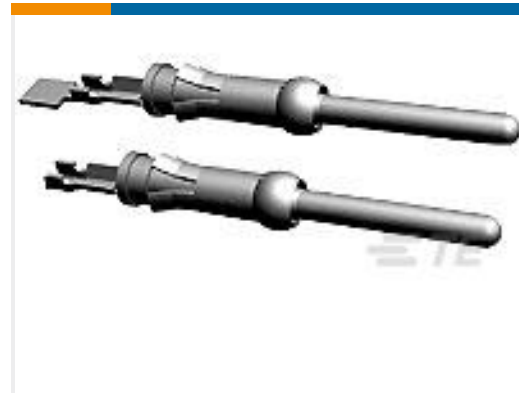
TE Part #86-300A-C
300 PSIA CABLE CONN MV
PRESSURE SENSOR



TE Part #HD36-24-31SE-059
PLG,31P,AL,E, CBL CLMP BT, DRAIN,
16,S,MC



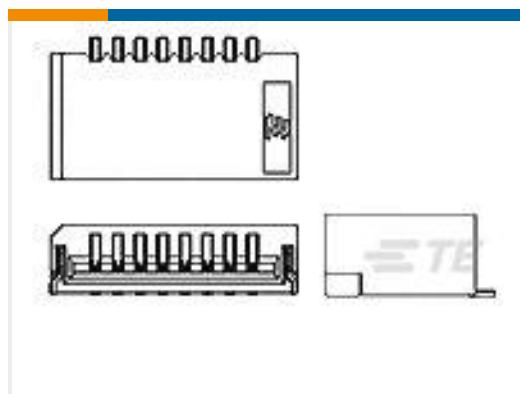
TE Part #1623783-7
SQM7 22K 5% (METAL FILM)



TE Part #66359-9
III+ PIN,18-14,15AU/FL,STRIP



TE Part #5-104068-4
40 SYSTEM 50 HDR DRST SHRD



TE Part #2-84981-0
1MM FFC SMT H ASSY 20P EMBOSS



TE Part #89-01KA-4R
1000 PSIA 316L MV RIBBON
PRESSURE SENSOR



TE Part #928930-1
FF 110 TAB 0.5-1 MM2 .080 F SSP
CUZN30



TE Part #4-1437622-7
KN500B1/8=KNOB BLK KNURL 1/8 S



TE Part #85-015G-4R
NISO,GAGE,1/4 NPT,RIBBON CBL

Documents

CAD Files

Customer View Model

[ENG_CVM_CVM_89-03KS-4R_B1.3d_stp.zip](#)

English

Customer View Model

[ENG_CVM_CVM_89-03KS-4R_B1.2d_dxf.zip](#)

English

[3D PDF](#)



3D

Customer View Model

[ENG_CVM_CVM_89-03KS-4R_B1.3d_igs.zip](#)

English

By downloading the CAD file I accept and agree to the [Terms and Conditions](#) of use.

Datasheets & Catalog Pages

89C

English