

881111-1 ✓ ACTIVE

MATE-N-LOK | Universal MATE-N-LOK

TE Internal #: 881111-1

Power Contacts, Contact, Tin, 20 – 14 AWG Wire Size, .52 – 2.08 mm² Wire Size, Wire & Cable, Crimp, Power, Socket, Universal MATE-N-LOK

[View on TE.com >](#)



Connectors > Power Connectors > Power Contacts



Power Contact Type: **Contact**

Contact Mating Area Plating Material: **Tin**

Wire Size: **.52 – 2.08 mm²**

Connector & Contact Terminates To: **Wire & Cable**

Features

Product Type Features

Compatible With Discrete Wire Type	Stranded
Power Contact Type	Contact
Connector & Contact Terminates To	Wire & Cable

Contact Features

Contact Mating Area Plating Material	Tin
Contact Type	Socket
Contact Retention Within Housing	Without
Mating Pin Diameter	2 mm[.079 in]
Contact Base Material	Brass
Wire Contact Termination Area Plating Material	Tin
Wire Contact Termination Area Plating Material Finish	Bright
Contact Orientation	Straight

Termination Features

Termination Method to Wire & Cable	Crimp
------------------------------------	-------



Mechanical Attachment

Wire Insulation Support	Without
-------------------------	---------

Dimensions

Wire Size	.52 – 2.08 mm ²
Compatible Insulation Diameter Range	3.3 mm[.13 in]

Usage Conditions

Operating Temperature Range	-55 – 125 °C[-67 – 257 °F]
-----------------------------	----------------------------

Operation/Application

Circuit Application	Power
---------------------	-------

Packaging Features

Packaging Quantity	3500
Packaging Method	Reel

Product Compliance

[For compliance documentation, visit the product page on TE.com>](#)

EU RoHS Directive 2011/65/EU	Compliant
EU ELV Directive 2000/53/EC	Compliant
China RoHS 2 Directive MIIT Order No 32, 2016	No Restricted Materials Above Threshold
EU REACH Regulation (EC) No. 1907/2006	Current ECHA Candidate List: JUNE 2023 (235) Candidate List Declared Against: JUNE 2023 (235) Does not contain REACH SVHC
Halogen Content	Low Halogen - Br, Cl, F, I < 900 ppm per homogenous material. Also BFR/CFR/PVC Free
Solder Process Capability	Not applicable for solder process capability

Product Compliance Disclaimer

This information is provided based on reasonable inquiry of our suppliers and represents our current actual knowledge based on the information they provided. This information is subject to change. The part numbers that TE has identified as EU RoHS compliant have a maximum concentration of 0.1% by weight in homogenous materials for lead, hexavalent chromium, mercury, PBB, PBDE, DBP, BBP, DEHP, DIBP, and 0.01% for cadmium, or qualify for an exemption to these limits as defined in the Annexes of Directive 2011/65/EU (RoHS2). Finished electrical and electronic equipment products will be CE marked as required by Directive 2011/65/EU. Components may not be CE marked. Additionally, the part numbers that TE has identified as EU ELV compliant have a maximum concentration of 0.1% by weight in homogenous materials for lead, hexavalent chromium, and mercury, and 0.01% for cadmium, or qualify for an exemption to these limits as defined in the Annexes of Directive 2000/53/EC (ELV). Regarding the REACH Regulation, the information TE provides on SVHC in articles for this part number is based on the latest European Chemicals Agency (ECHA) 'Guidance on requirements for substances in articles' posted at this URL: <https://echa.europa.eu/guidance-documents/guidance-on-reach>

Compatible Parts



TE Part # 926893-1
UNIV.M-N-L.SOCKET CONTACT



TE Part # 350537-3
UMNL SOK 20-14 .0125 PTPPHBZ



TE Part # 926882-3
UMNL SOK PTPPHBZ



TE Part # 926882-1
UMNL SOK 20-14 PTPBR



TE Part # 350536-3
UMNL SOK 20-14 .0125 PTPPHBZ



TE Part # 881109-1
U-M-N-L SPLIT PIN



TE Part # 350536-1
UMNL SOK 20-14 .0126 PTPBR



TE Part # 350537-1
UMNL SOK 20-14 .0126 PTPBR



TE Part # 881109-3
U-M-N-L SPLIT PIN



TE Part # 2825072-1
UMNL PIN 24-18 .0126 PTPBR

Also in the Series | Universal MATE-N-LOK



Circular Power Connectors(2)



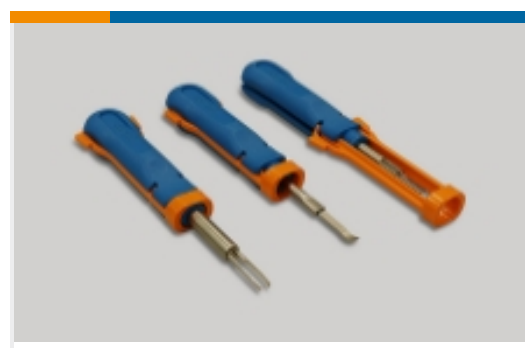
Connector Contacts(2)



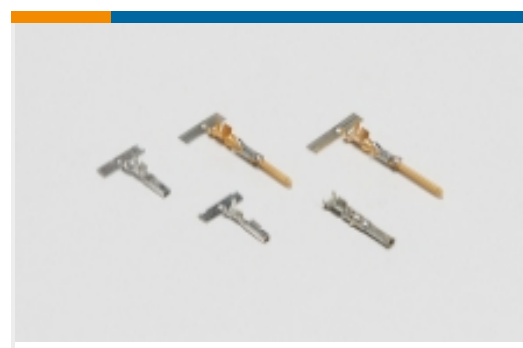
Connector Seals & Cavity Plugs(27)



Connector Strain Relief(34)



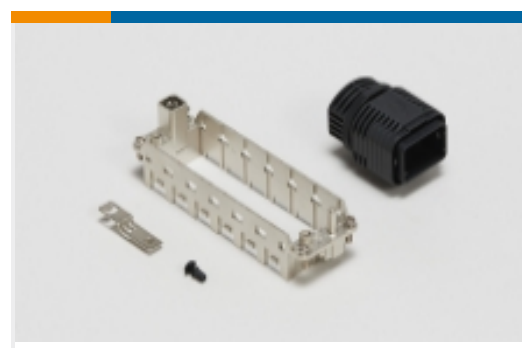
Insertion & Extraction Tools(4)



Power Contacts(207)



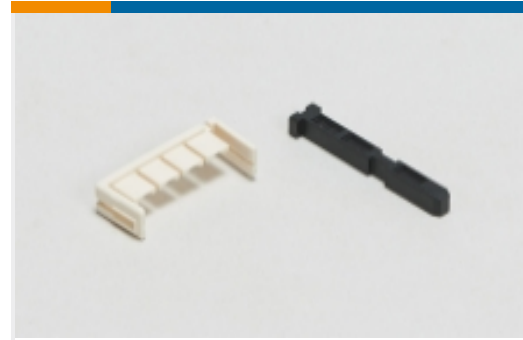
Rectangular Connector Adapters(7)



Rectangular Connector Hardware(1)



Rectangular Connector Housings(1)



Rectangular Connector Keying Plugs(3)



Rectangular Connector Locking(8)



Rectangular Power Connectors(672)

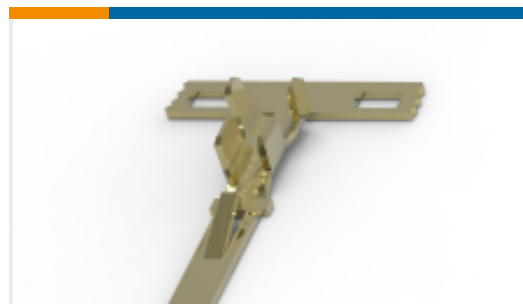
Customers Also Bought



TE Part #3-641435-4
04P MTA156 CONN ASSY ORNG



TE Part #3-640599-4
04P MTA156 CONN ASSY 18AWG
ORA



TE Part #1599182-1
.110 TAB TERMINAL , PLAIN
ORA



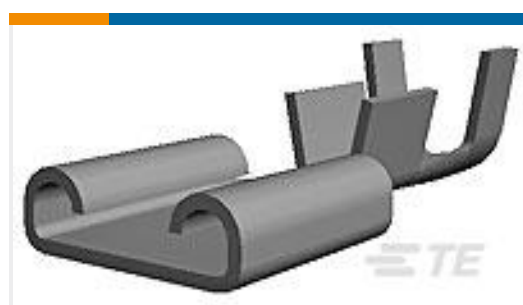
TE Part #626229
8 P FASTIN-ON HOUSING REC PA66
NAT



TE Part #735222-2
FF 250 REC 1.0-2.5 MM2 0.32X 19.30
BR



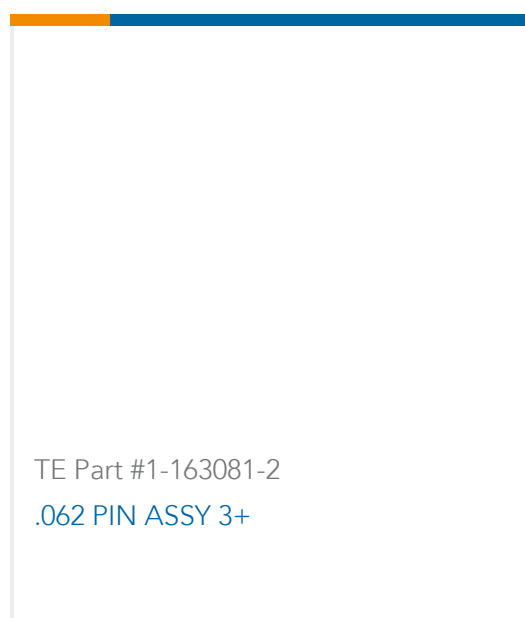
TE Part #626279-1
RING TONGUE 0.5-1.50 MM2
PLAINNUBR



TE Part #735212-2
FF 250 REC 22-17AWG TPBR



TE Part #880629-1
RING TONGUE 0.5-1.0 MM2 0.60 X
13.23 BR



TE Part #1-163081-2
.062 PIN ASSY 3+

Documents



Product Drawings

U-M-N-L SOCKET

English

CAD Files

3D PDF

3D

Customer View Model

[ENG_CVM_CVM_881111-1_H.2d_dxf.zip](#)

English

Customer View Model

[ENG_CVM_CVM_881111-1_H.3d_igs.zip](#)

English

Customer View Model

[ENG_CVM_CVM_881111-1_H.3d_stp.zip](#)

English

By downloading the CAD file I accept and agree to the [Terms and Conditions](#) of use.

Datasheets & Catalog Pages

[2_PIECE_POWER_CONNECTORS_qrg_4-1773458-1](#)

English

Product Specifications

Application Specification

English

Product Environmental Compliance

Product Compliance

English

Product Compliance

English
